



PARTS CATALOGUE

D700

Parts Catalogue No.:
Revision Date: **for D700#1~6**

Blank page

FOREWORD

- This parts manual describes the configuration of the part components of the product and is intended only to assist to order spare parts for maintenance work.
- This manual contains no safety information for operating the product or maintenance work. Please observe the safety instructions described in the relevant operation manual.
- The illustrations shown in this manual is not appropriate for workshop instructions, so they should not be used for assembling or disassembling the product. Please refer to the workshop manual for that purpose.
- Use Everdigm genuine parts only.
Warranties do not cover damages that have been caused or aggravated by use of non-genuine parts.
- For product warranty, please refer to the warranty conditions provided separately.
- The illustrations in this manual show only the overall shapes and positions of the part components so they may not be identical with the actual parts.
- For the purpose of continued product improvement, some information in this manual could be changed without prior notice, and might be differ from your product which was not covered by this publication.
- If you found the information that is unclear or not corresponding with the actual product, contact Everdigm or Everdigm distributor.

1. How to use this parts manual

Fig. 01.001 (1)	CYLINDER ASSY (2)
ABC12 (3)	A000-0000 000 (4)

Item	Part. No.	Part Name	Qty	See fig.	Remarks	
1	A000-0010 000	TUBE ASSY	1			
2	A000-0001 000	ROD ASSY	1	01.002		
(5)	(6)	(7)	(8)	(9)	(10)	(11)

Fig. 01.002 ←	ROD ASSY
ABC12	A000-0001 000

1. Fig : Group number.
2. Title : Title name of the assembly shown in the page.
3. Model name: Identification name of the product.
4. Assembly number : Number of the assembly show in the page.
5. Item : Key number Which shows the referring number of the part in corresponding illustration.
6. Part NO. : Identification number of the part or assembly.
7. Rev. : Revision number of part number.
8. Part name : Name of the part.
9. Qty : Quantity used for one unit of their parent assembly containing the parts.
10. See Fig. : Fig number of the part.
11. Remark : Supplementary comment.

2. How to order parts

Please note the full model name and serial number of your product. This code can be found on the nameplate of your product. Compare the parts to order with the corresponding parts in the drawings in this parts manual and note the part numbers to order.

When ordering parts, please specify detail part names as shown in the following example

1. Model name of product:
2. Serial number:
3. Part No.:
4. Part name:
5. Quantity:
6. Purchaser's name & address:

CONTENTS

Chapter 1. Parts List

Fig.	Part Name	Page
00.010	LAY OUT	10
01.010	MAST GROUP	12
01.020	MAST ASSY	16
01.030	DRILLING SYSTEM	18
01.040	HOSE REEL	20
01.050	GUIDE ASSY	22
01.060	GUIDE ASSY	24
01.070	MOTOR	26
01.080	CYLINDER-FEED	28
01.090	PULLEY ASSY	30
01.100	PULLEY BRACKET ASSY	32
01.110	BEARING MOUNT BRACKET	34
01.120	BREAK OUT SYSTEM	36
01.130	JAW ASSY	38
01.140	BREAKOUT CYLINDER	40
01.150	SUPPORT ASSY	42
01.160	SUPPORT CYLINDER	44
01.170	BREAKOUT CYLINDER	46
01.180	BREAKOUT WRENCH CYLINDER	48
01.190	HOOD SLIDE ASSY	50
01.200	SUPPORT ASSY	52
01.210	GUIDE ASSY	54
01.220	GUIDE ASSY	56
01.230	WINCH ASSY	58
02.010	HANDLE ARC ASSY	60
02.020	MAGAZINE ASSY	62
02.030	HANDLE ASSY	64
02.040	ARC VALVE BRACKET ASSY	68
03.010	BOOM ASSY	70
03.020	BOOM LIFT CYLINDER	72
03.030	BOOM SWING CYL	74
03.040	GUIDE SHELL ASSY	76
03.050	MAST EXTENSION CYL ASSY	78
03.060	MAST SWING CYLINDER	80
03.070	MAST DUMP CYLINDER	82
04.010	TRACTION ASSY	84
04.020	TRACK ASSY-LH	86

04.030	TRACK ASSY-RH	88
04.040	TRACTION CYLINDER	90
05.010	BONNET ASSY	92
05.020	FRAME ASSY	96
05.030	COVER ASSY	98
05.040	COVER ASSY	100
05.050	BAFFLE ASSY	102
05.060	SIDE MIRROR	104
06.010	CABIN INSTALL	106
06.020	CABIN MOUNTING	108
06.030	CABIN ASSY	110
06.040	OPEN DOOR ASSY-LH	116
06.050	PLATE ASSY	118
06.060	PLATE ASSY	120
06.070	GUARD ASSY	122
07.010	DUST COLLECTOR INSTALL	124
07.020	PRE-CLEANER ASSY	126
08.010	MAIN FRAME ASSY	128
08.020	MAIN FRAME INSTALL	130
08.030	MAINFRAME COVER INSTALL	132
08.040	HYDRAULIC OIL TANK	134
08.050	SUCTION PIPE	136
08.060	RETURN FILTER	138
08.070	FUEL TANK ASSY	140
08.080	STEP ASSY	142
08.090	TOOL BOX ASSY	144
08.100	SLIDING STEP ASSY	146
08.110	BRACKET	148
08.120	OIL TANK	150
09.010	SUB ENGINE MOUNTING	152
09.020	COOLING GROUP	156
09.030	OIL COOLING MODULE	160
09.040	COOLING MODULE	162
09.050	INTAKE & EXHAUST	164
09.060	AIR CLEANER	166
09.070	AIR CLEANER	168
09.080	MUFFLER ASSY	170
10.010	AIR END ASSY	172
11.010	MAIN LINE	174
11.020	PUMP FITTING ASSY	176
11.030	MAIN VALVE FITTING ASSY	178
11.040	HYD. FITTING ASSY	180
11.050	MAIN BLOCK FITTING ASSY	182

11.060	FITTING ASSY	184
11.070	T-MANIFOLD FITTING ASSY	186
11.080	HOSE TERMINAL FITTING ASSY	188
11.090	TRAVEL LINE	190
11.100	TRAVEL VALVE FITTING ASSY	192
11.110	HOSE TERMINAL FITTING ASSY	194
11.120	PILOT LINE	196
11.130	FITTING ASSY	198
11.140	PILOT CONTROL BLOCK FITTING ASSY	200
11.150	FITTING ASSY	202
11.160	TRAVEL PILOT JOYSTICK	204
11.170	FITTING ASSY	206
11.180	BLOCK FITTING ASSY	208
11.190	COOLER LINE	210
11.200	AIR END SECTION FITTING ASSY	212
11.220	COOLING MODULE FITTING ASSY	214
11.230	PUMP FITTING ASSY	216
11.240	FITTING ASSY	218
11.250	DUST COLLECTOR LINE	220
11.260	DUST COLLECTOR FITTING ASSY	222
11.270	FITTING ASSY	224
11.280	BOOM CYLINDER LINE	226
11.290	MAST DUMP CYLINDER FITTING ASSY	228
11.300	MAST SWING CYL FITTING ASSY	230
11.310	MAST EXTENSION CYL FITTING ASSY	232
11.320	BOOM LIFT CYLINDER FITTING ASSY	234
11.330	BOOM SWING CYL FITTING ASSY	236
11.340	CHECK BLOCK FITTING ASSY	238
11.350	CHECK VALVE FITTING ASSY	240
11.360	TRACTION CYL FITTING ASSY	242
11.370	BOOM CONTROL VALVE FITTING ASSY	244
11.380	FITTING ASSY	246
11.390	FITTING ASSY	248
11.400	ARC LINE	250
11.410	ARC BLOCK FITTING ASSY	252
11.420	FITTING ASSY	254
11.430	FITTING ASSY	256
11.440	CYLINDER NIPPLE ASSY	258
11.450	CYLINDER NIPPLE ASSY	260
11.460	CYLINDER NIPPLE ASSY	262
11.470	CYLINDER NIPPLE ASSY	264
11.480	CYLINDER NIPPLE ASSY	266
11.490	CYLINDER NIPPLE ASSY	268

11.500	MAST LINE	270
11.510	TERMINAL FITTING ASSY	272
11.520	TERMINAL FITTING ASSY	274
11.530	MAST EXTENSION CYL FITTING ASSY	276
11.540	COUNTER BALANCE VALVE FITTING ASSY	278
11.550	ROTARY HEAD LINE	280
11.560	ROTARY HEAD FITTING ASSY	282
11.570	AIR LINE	284
11.580	FITTING ASSY	286
11.590	FUEL LINE	288
11.600	PUMP FITTING ASSY	290
11.610	SEPERATOR FITTING ASSY	292
11.620	AIR CONDITIONER LINE	294
11.630	AIR CONDITIONER ASSY	296
12.010	DECAL & PAINTING	298
12.020	DECAL & PAINTING	300
 Chapter 2. RSP List		303
 Chapter 3. Index		316

Blank page



Chapter 1. Parts List

D700

Fig.	00.010	LAY OUT
	D700	D700

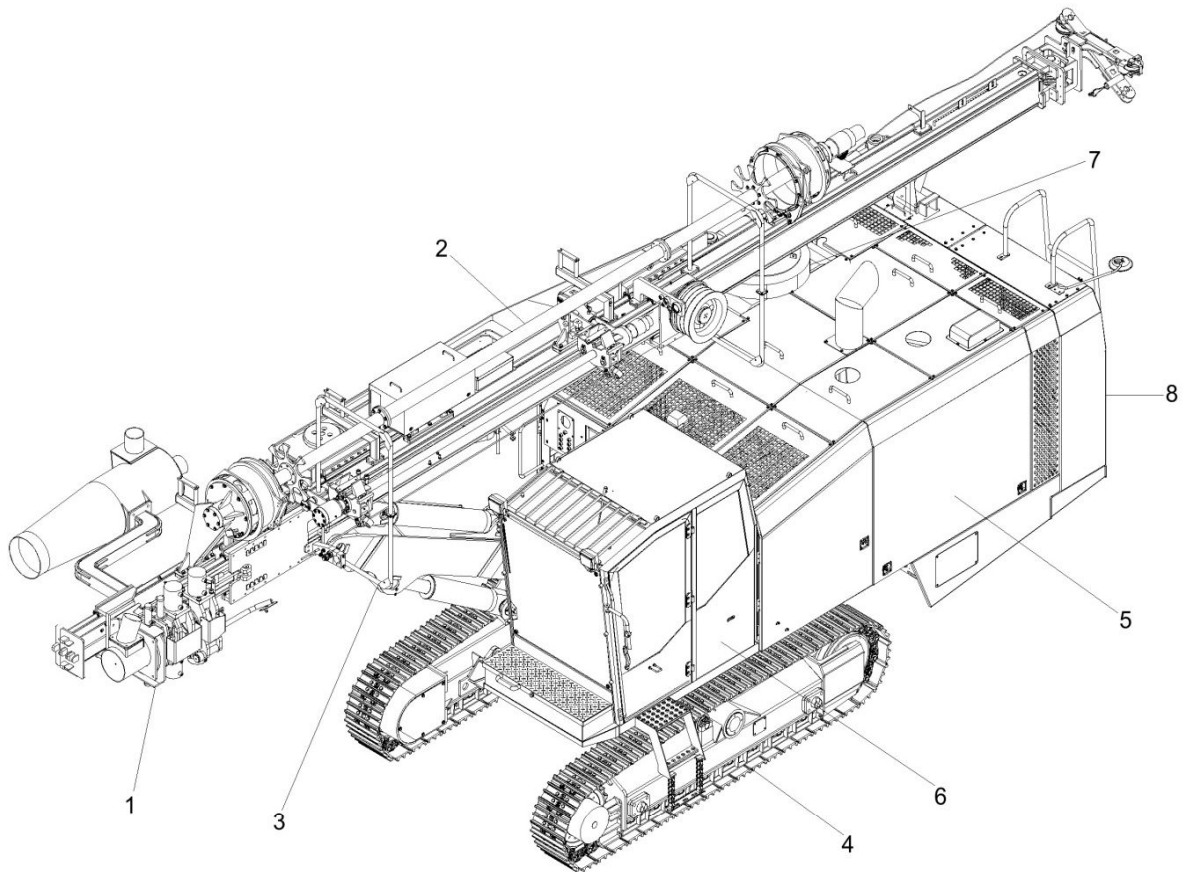


Fig.	00.010	LAY OUT
	D700	D700

Item	Part Number	Part Name	Qty	See Fig.	Remarks
1		MAST ASSY			
2		HANDLE ARC ASSY			
3		BOOM & GUIDE SHELL			
4		TRACK			
5		BONNET			
6		CABIN			
7		DUST COLLECT			
8		MAIN FRAME			
9		POWER UNIT			
10		AIR SYSTEM			
11		HYD LINE			
12		DECAL			
13		OPTION			
EOL					

Fig. 01.010	MAST GROUP
D700	RJ111-0125 A

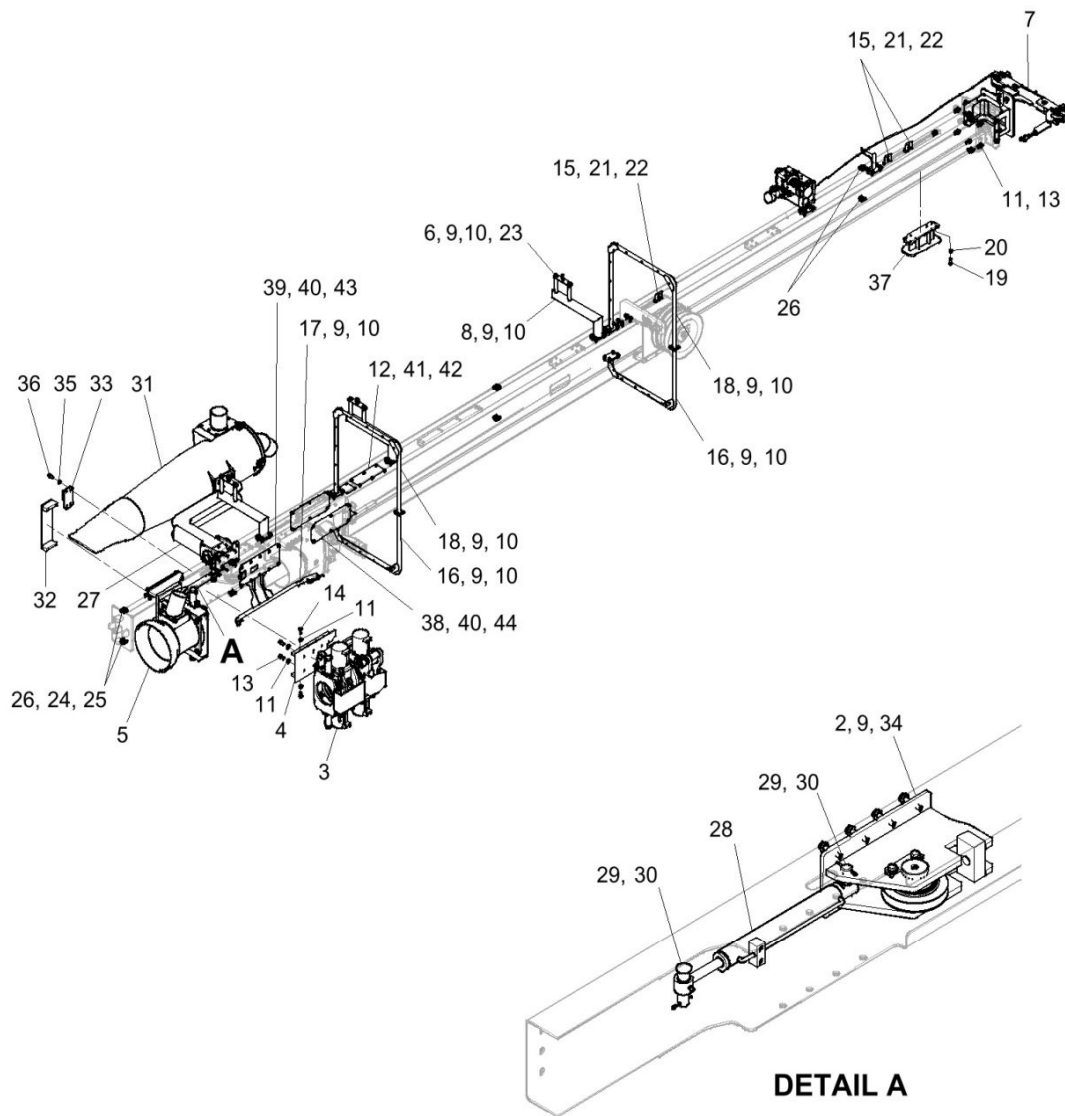


Fig.	01.010	MAST GROUP
	D700	RJ111-0125 A

Item	Part Number	Part Name	Qty	See Fig.	Remarks
1	RJ111-0002	MAST ASSY	1	01.020	
2	RJ117-0001 A	DRILLING SYSTEM	1	01.030	
3	RJ112-0001 B	BREAK OUT SYSTEM	1	01.120	
4	RJ111-0115	BRACKET	1		
5	RJ111-0113	HOOD SLIDE ASSY	1	01.190	
6	RJ111-0140 A	PLATE	3		
7	RJ111-0228 B	WINCH ASSY	1	01.230	
8	RJ111-0134	HOSE BRACKET	3		
9	S5231201	HARDENED WASHER	57		D12-BO
10	S0115266	HEX BOLT	49		M12x1.75-L30-FULL-DAC
11	S5231601	HARDENED WASHER	26		D16-BO
12	RJ111-0347	COVER	1		
13	S0121466	HEX BOLT	14		M16x2-L40-FULL-DAC
14	S0121261	HEX BOLT	8		M16x2-L30-FULL-PM
15	RJ111-0245	BRACKET	3		
16	RJ111-0179 A	SAFETY BAR	2		
17	RJ111-0181 A	SAFETY BAR	1		
18	RJ111-0185 A	SAFETY BAR	2		
19	S0118663	HEX BOLT	8		M14x2-L50-FULL-ZPC3
20	S5231401	HARDENED WASHER	8		D14-BO
21	S0111863	HEX BOLT	6		M10x1.5-L20-FULL-ZPC3
22	S5231001	HARDENED WASHER	6		D10-BO
23	S3140033	EYE BOLT	4		M12x1.75-L22-ZPC3
24	S5230803	HARDENED WASHER	40		D8-Fe/Zn8/HB
25	S0108463	HEX BOLT	40		
26	RJ111-0286	PLATE	10		
27	RJ111-0310	BRACKET ASSY	1		
28	RJ114-0001 A	HOOD SLIDE CYLINDER	1		
29	S5735781	SPLIT PIN	2		D5-L60-ZPC3
30	RJ111-0082	PIN	2		
31	RJ118-0025 A	PRE-CLEANER ASSY	1	07.020	
32	RJ111-0320	BRACKET	1		
33	RJ111-0324	BRACKET	1		
34	S0115961	HEX BOLT	8		M12x1.75-L65-FULL-PM
35	S5231603	HARDENED WASHER	4		D16-Fe/Zn8/HB
36	S0121463	HEX BOLT	4		M16x2-L40-FULL-ZPC3
37	RJ111-0334	MAST STOPPER	1		
38	RJ111-0340	PLATE	2		
39	RJ111-0341	PLATE	1		
40	S5230801	HARDENED WASHER	22		D8-BO

Fig. 01.010	MAST GROUP
D700	RJ111-0125 A

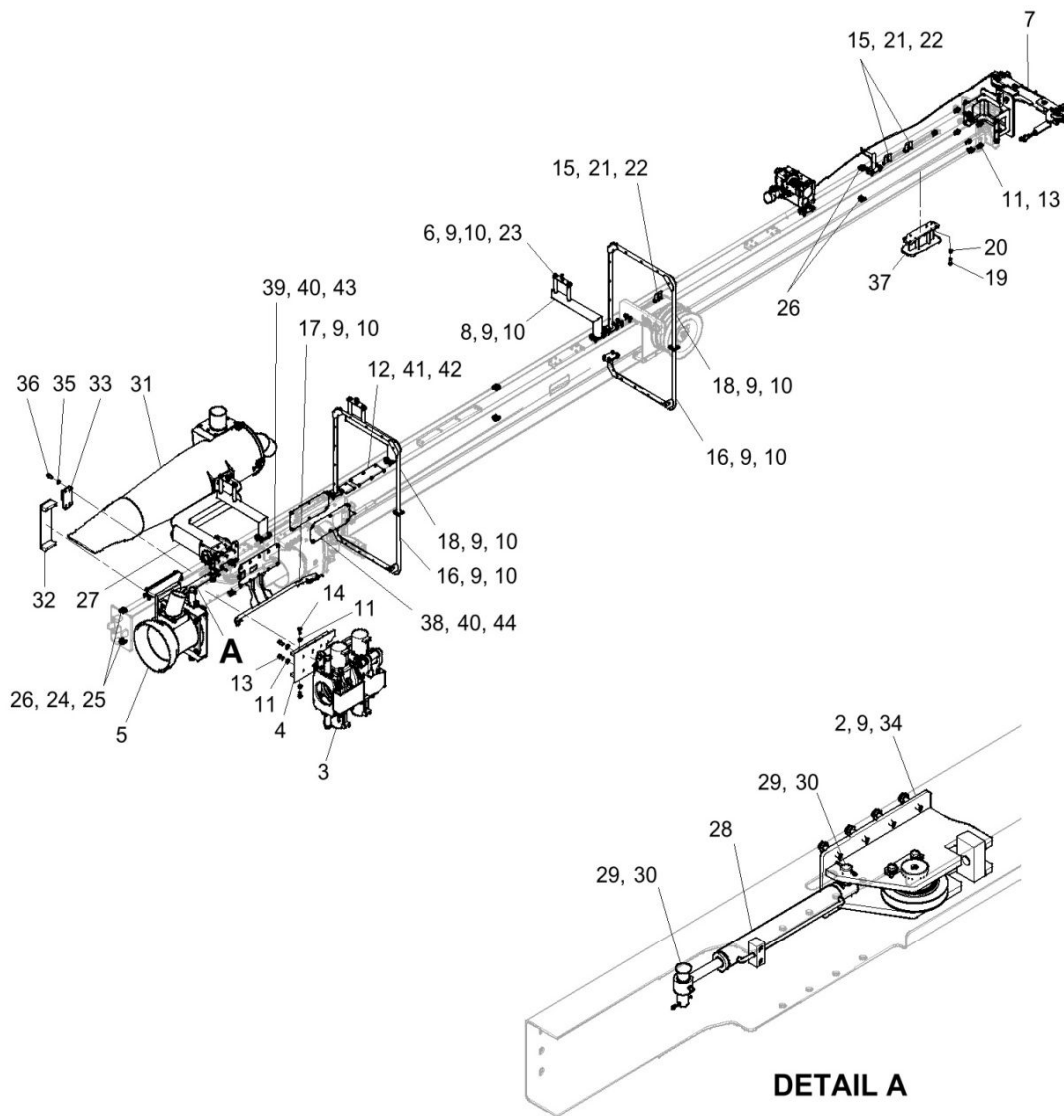


Fig.	01.010	MAST GROUP
	D700	RJ111-0125 A

Item	Part Number	Part Name	Qty	See Fig.	Remarks
41	S2208376	HEX SOCKET HEAD BOLT	6		M08x1.25xL10-DACROT
42	S5100502	SPRING WASHER	6		D8-PM
43	S0108360	HEX BOLT	22		M8x1.25-L10-FULL
44	RJ111-0354	PLATE	2		
45	S0123363	HEX BOLT	4		M16x2-L140-FULL-ZPC3

EOL

Fig.	01.020	MAST ASSY
	D700	RJ111-0002

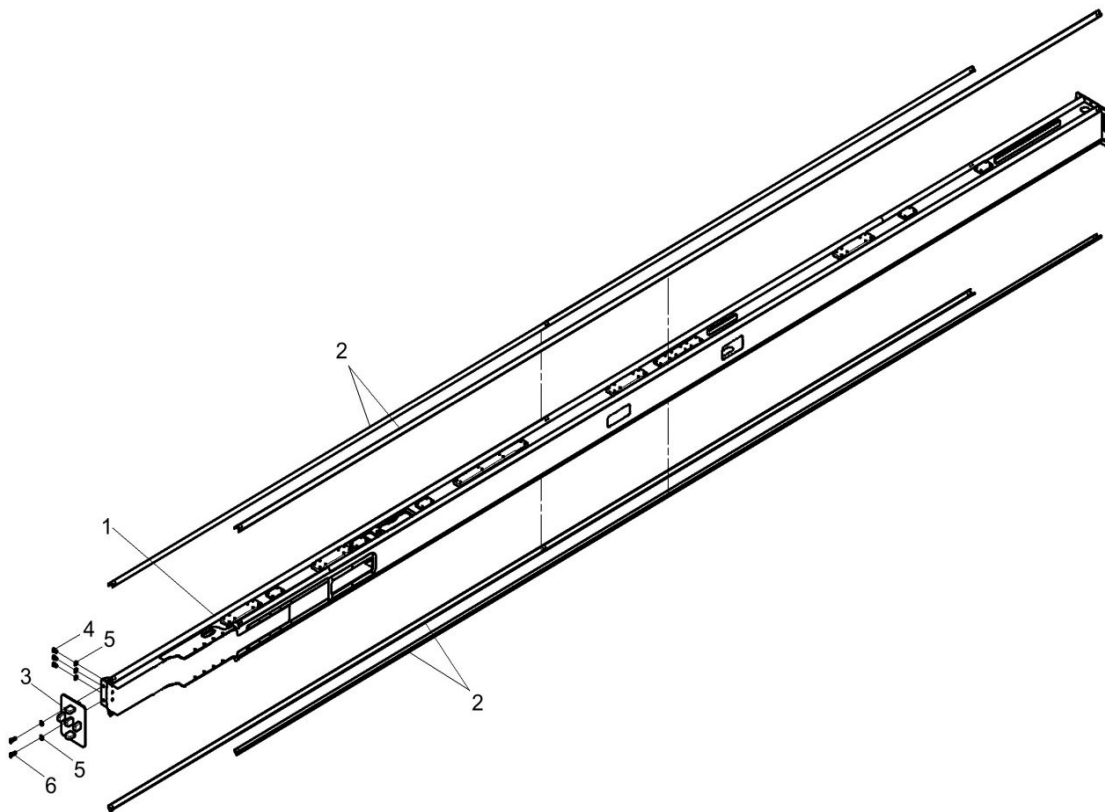


Fig.	01.020	MAST ASSY
	D700	RJ111-0002

Item	Part Number	Part Name	Qty	See Fig.	Remarks
1	RJ111-0053	MAST ASSY	1		
2	RJ111-0086	SLIDE GUIDE	4		
3	RJ111-0084	FOOT BRACKET	1		
4	S0121061	HEX BOLT	3		M16x2-L25-FULL-PM
5	S5231601	HARDENED WASHER	5		D16-BO
6	S0121566	HEX BOLT	2		M16x2-L45-FULL-DAC

EOL

Fig. 01.030	DRILLING SYSTEM
D700	RJ117-0001 A

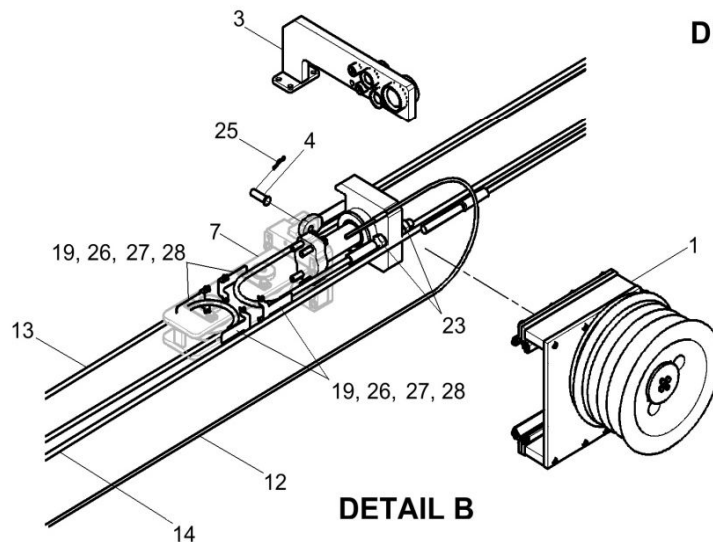
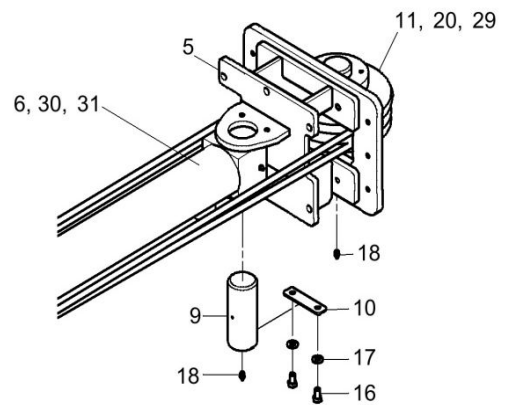
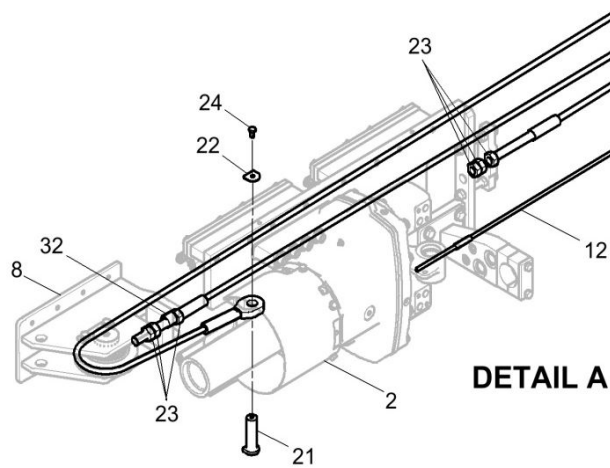
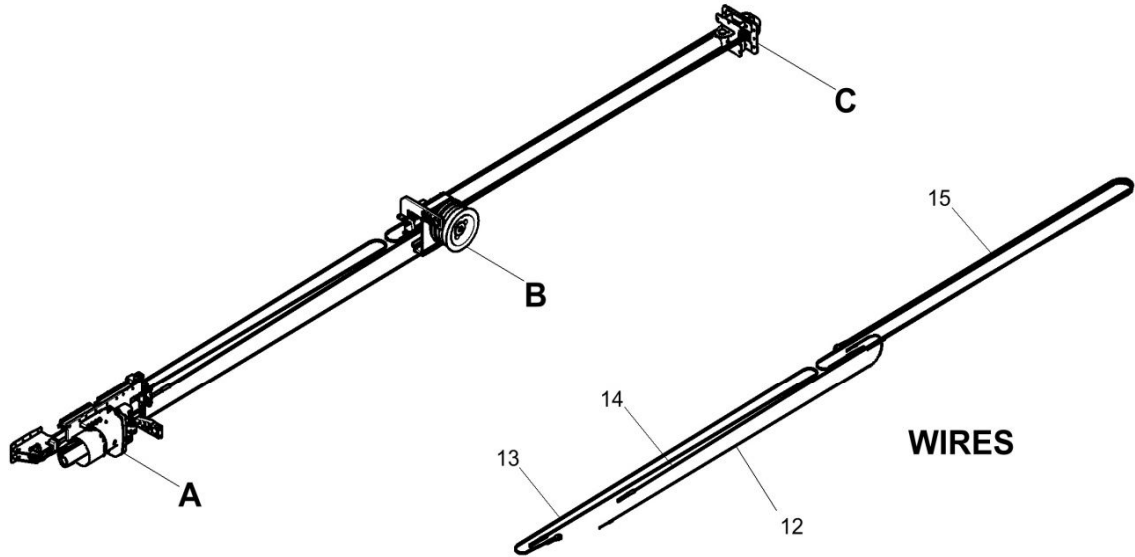


Fig.	01.030	DRILLING SYSTEM
	D700	RJ117-0001 A

Item	Part Number	Part Name	Qty	See Fig.	Remarks
1	RJ111-0046	HOSE REEL	1	01.040	
2	RJ111-0024	MOTOR	1	01.070	
3	RJ111-0071	LONG NIPPLE BRACKET	1		
4	RJ111-0259	PIN	1		
5	RJ111-0016	BRACKET	1		
6	RJ111-0126 A	CYLINDER-FEED	1	01.080	
7	RJ111-0342 A	PULLEY ASSY	1		
8	RJ111-0091	PULLEY BRACKET ASSY	1	01.100	
9	RJ111-0070	PIN	1		
10	RJ111-0010	PLATE	1		
11	RJ111-0258	BEARING MOUNT BRACKET	1	01.110	
12	RJ117-0015	WIRE	1		
13	RJ117-0016	WIRE	1		
14	RJ117-0017	WIRE	1		
15	RJ117-0018	WIRE	1		
16	S0115061	HEX BOLT	2		M12x1.75-L25-FULL-PM
17	S5231201	HARDENED WASHER	2		D12-BO
18	S6710042	GREASE NIPPLE (A Type)	2		PT 1/8-CD
19	RJ111-0257	PLATE	4		
20	S5231601	HARDENED WASHER	4		D16-BO
21	RJ111-0170	PIN	1		
22	RJ111-0171	PLATE	1		
23	S4013341	HEX NUT	9		M24x3-Sty.2-PM
24	S0111861	HEX BOLT	1		M10x1.5-L20-FULL-PM
25	S5770201	SNAP PIN	1		D2.3xL50
26	S0103133	HEX BOLT	8		M5x0.8-L16-FULL-ZPC3
27	S5020203	PLAIN WASHER	8		D50-ZPC3
28	S5100213	SPRING WASHER	8		D5-ZPC3
29	S0121566	HEX BOLT	4		M16x2-L45-FULL-DAC
30	S5231600	HARDENED WASHER	4		D16
31	S0122463	HEX BOLT	4		M16x2-L90-FULL-ZPC3
32	RJ111-0355	SPACER	1		

EOL

Fig.	01.040	HOSE REEL
	D700	RJ111-0046

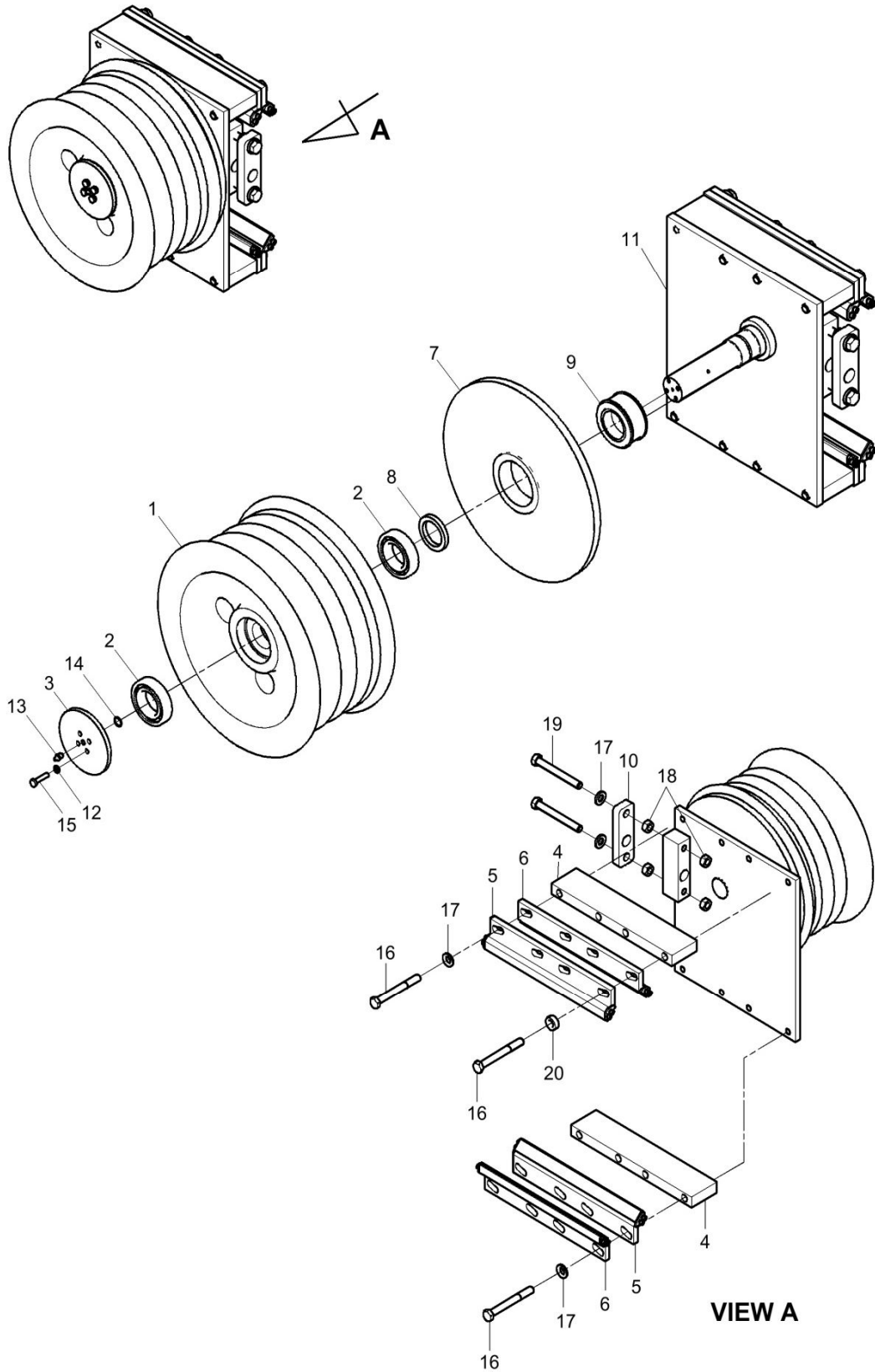


Fig.	01.040	HOSE REEL
	D700	RJ111-0046

Item	Part Number	Part Name	Qty	See Fig.	Remarks
1	RJ111-0048	PLATE	1		
2	D-D1121055	BEARING	2		6210DDU
3	RJ111-0049	CAP	1		
4	RJ111-0131	PLATE	2		
5	RJ111-0030	GUIDE ASSY	2	01.050	
6	RJ111-0020	GUIDE ASSY	2	01.060	
7	RJ111-0054	PULLEY	1		
8	RJ111-0055	SPACER	1		
9	RJ111-0056	BEARING	1		
10	RJ117-0019	PLATE	1		
11	RJ117-0005	HOSE REEL ASSY	1		
12	S5300073	DISK LOCK WASHER	4		NL8
13	S6710040	GREASE NIPPLE (A Type)	1		PT 1/8-CD
14	S8030100	O-RING	1		F-10-1A
15	S0109363	HEX BOLT	4		M8x1.25-L35-FULL-ZPC3
16	S0166961	HEX BOLT	8		M16x2-L140-PM
17	S5231601	HARDENED WASHER	9		D16-BO
18	S4012903	HEX NUT	4		M16x2-Sty.2-ZPC3
19	S0123363	HEX BOLT	2		M16x2-L140-FULL-ZPC3
20	RJ111-0260	SPACER	1		

EOL

Fig.	01.050	GUIDE ASSY
	D700	RJ111-0030

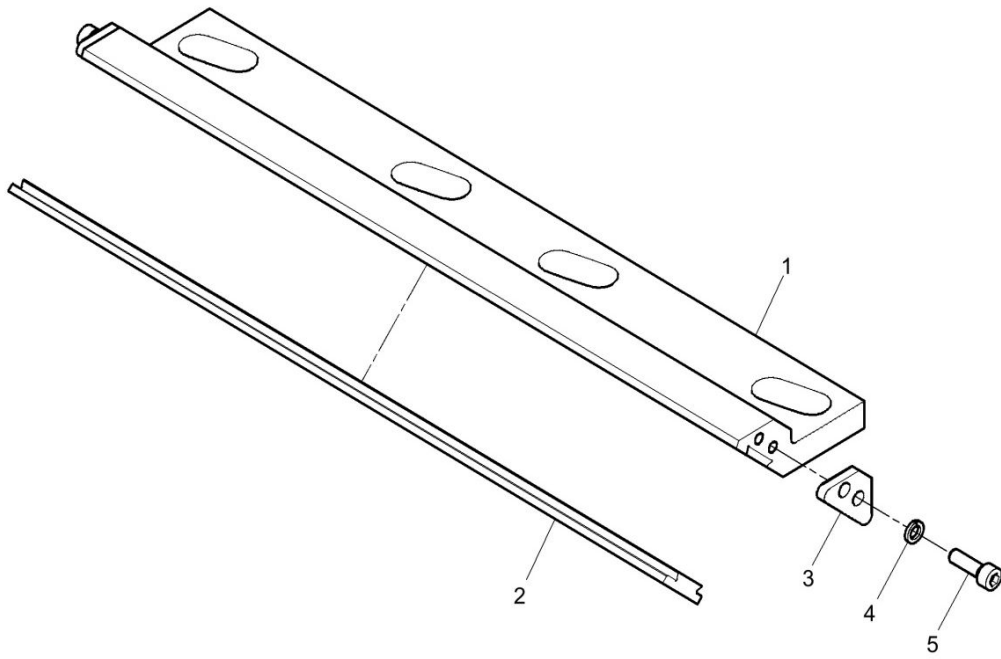


Fig.	01.050	GUIDE ASSY
	D700	RJ111-0030

Item	Part Number	Part Name	Qty	See Fig.	Remarks
1	RJ111-0028	GUIDE PLATE	1		
2	RJ111-0021	SLIDE PAD	1		
3	RJ111-0027	PLATE	2		
4	S5110303	SPRING WASHER	4		D6-ZPC3
5	S2204863	SOCKET BOLT	4		M6x1-L20-ZPC3

EOL

Fig.	01.060	GUIDE ASSY
	D700	RJ111-0020

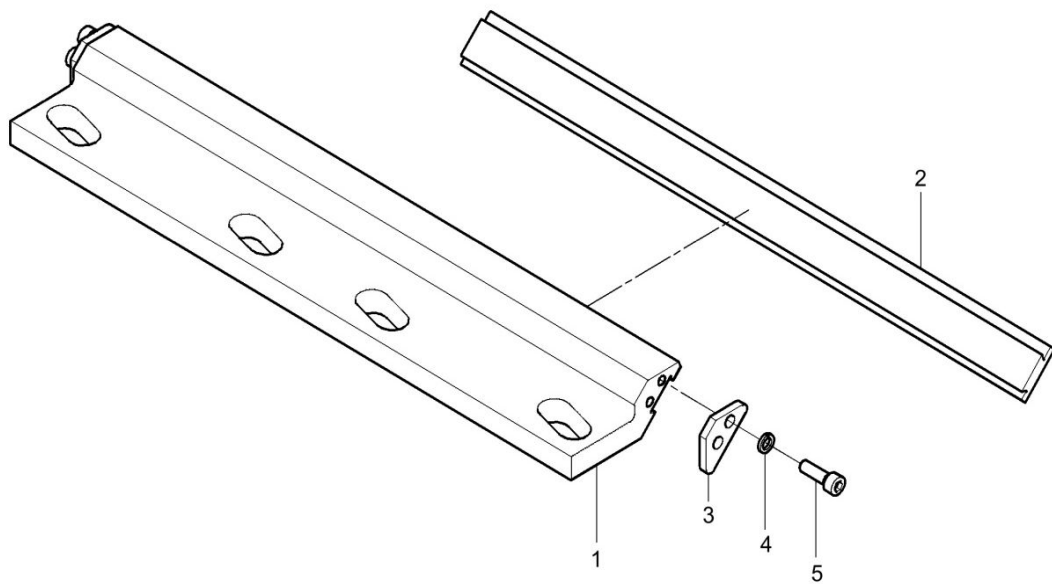


Fig.	01.060	GUIDE ASSY
	D700	RJ111-0020

Item	Part Number	Part Name	Qty	See Fig.	Remarks
1	RJ111-0023	GUIDE PLATE	1		
2	RJ111-0021	SLIDE PAD	1		
3	RJ111-0027	PLATE	2		
4	S5110303	SPRING WASHER	4		D6-ZPC3
5	S2204863	SOCKET BOLT	4		M6x1-L20-ZPC3

EOL

Fig. 01.070	MOTOR
D700	RJ111-0024

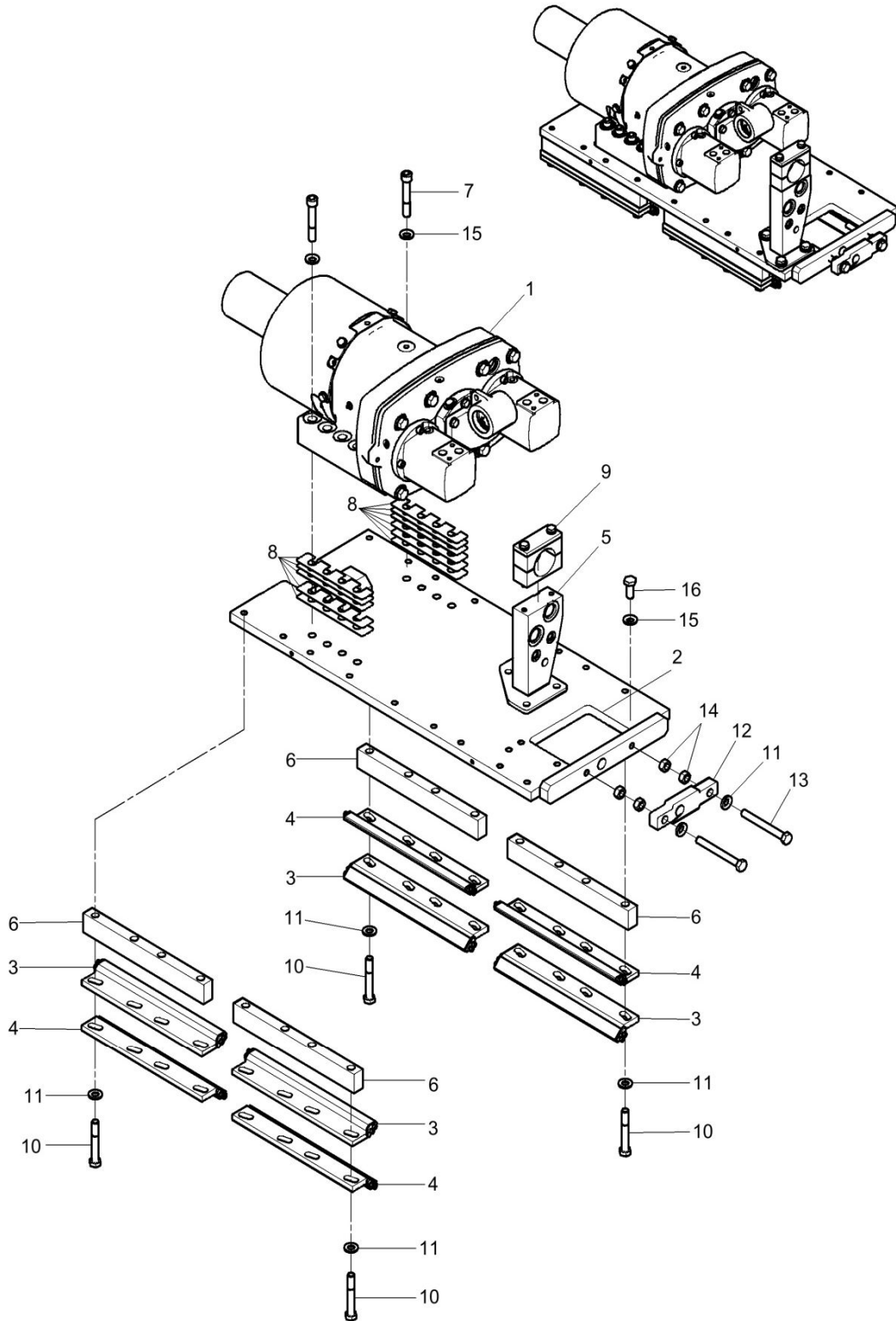


Fig.	01.070	MOTOR
	D700	RJ111-0024

Item	Part Number	Part Name	Qty	See Fig.	Remarks
1	RJ111-0031	ROTARY HEAD	1		
2	RJ123-0013	CRADLE W.A	1		
3	RJ111-0030	GUIDE ASSY	4	01.050	
4	RJ111-0020	GUIDE ASSY	4	01.060	
5	RJ123-0014	CRADLE TERMINAL	1		
6	RJ111-0119	PLATE	4		
7	S2222676	SOCKET BOLT	8		M16x2-L100-DAC
8	RJ117-0011	SHIM	11		PL1
9	RJ117-0009	CLAMP	1		
10	S0166460	HEX BOLT	16		M16x2-L110
11	S5231601	HARDENED WASHER	18		D16-BO
12	RJ117-0007	PLATE	1		
13	S0123363	HEX BOLT	2		M16x2-L140-FULL-ZPC3
14	S4012903	HEX NUT	4		M16x2-Sty.2-ZPC3
15	S5231600	HARDENED WASHER	12		D16
16	S0121466	HEX BOLT	4		M16x2-L40-FULL-DAC

EOL

Fig. 01.080	CYLINDER-FEED
D700	RJ111-0126 A

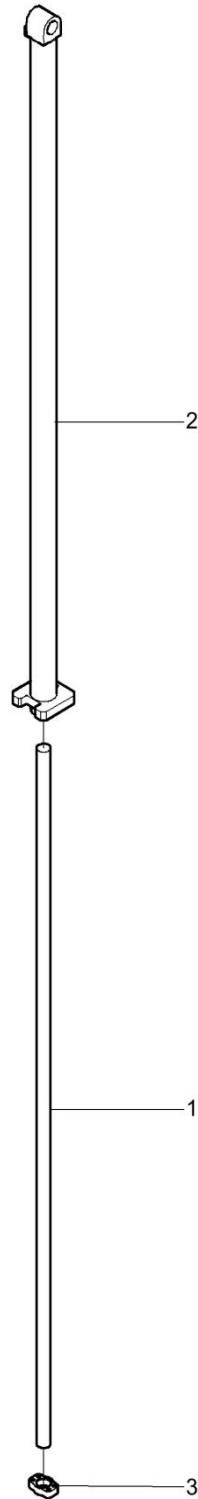


Fig.	01.080	CYLINDER-FEED
	D700	RJ111-0126 A

Item	Part Number	Part Name	Qty	See Fig.	Remarks
1	RJ111-0281	ROD	1		
2	RJ111-0280	TUBE	1		
3	RJ111-0278	PLATE	1		
EOL					

Fig. 01.090	PULLEY ASSY
D700	RJ111-0092

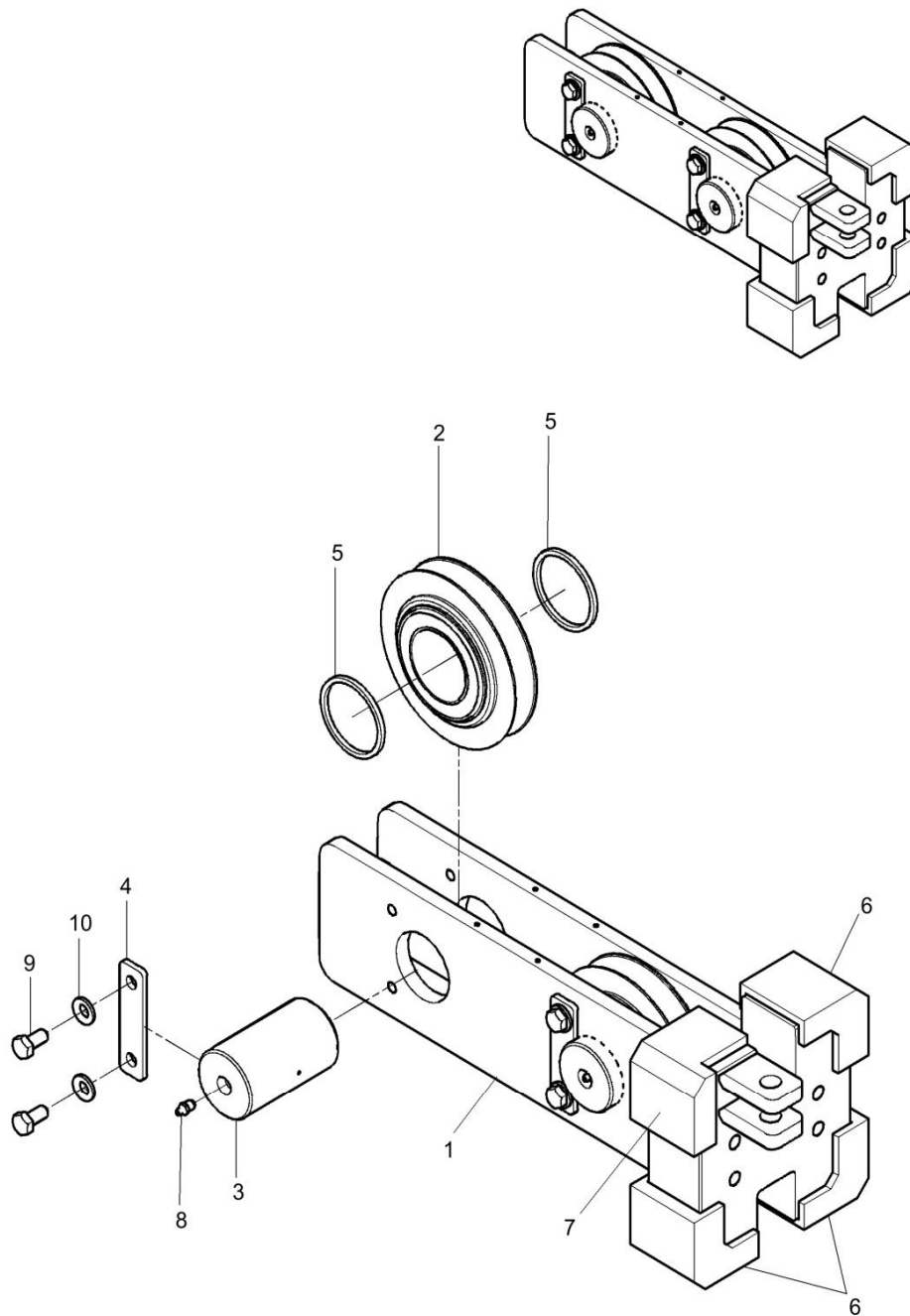


Fig.	01.090	PULLEY ASSY
	D700	RJ111-0092

Item	Part Number	Part Name	Qty	See Fig.	Remarks
1	RJ111-0007	CYLINDER	1		
2	RJ111-0090	PULLEY ASSY	2		
3	RJ111-0009	PLATE	2		
4	RJ111-0010	PLATE	2		
5	RJ111-0066	SPACER	4		
6	RJ111-0172	SLIDE PAD	3		
7	RJ111-0173	SLIDE PAD	1		
8	S6710042	GREASE NIPPLE (A Type)	2		PT 1/8-CD
9	S0115061	HEX BOLT	4		M12x1.75-L25-FULL-PM
10	S5231201	HARDENED WASHER	4		D12-BO

EOL

Fig. 01.100	PULLEY BRACKET ASSY
D700	RJ111-0091

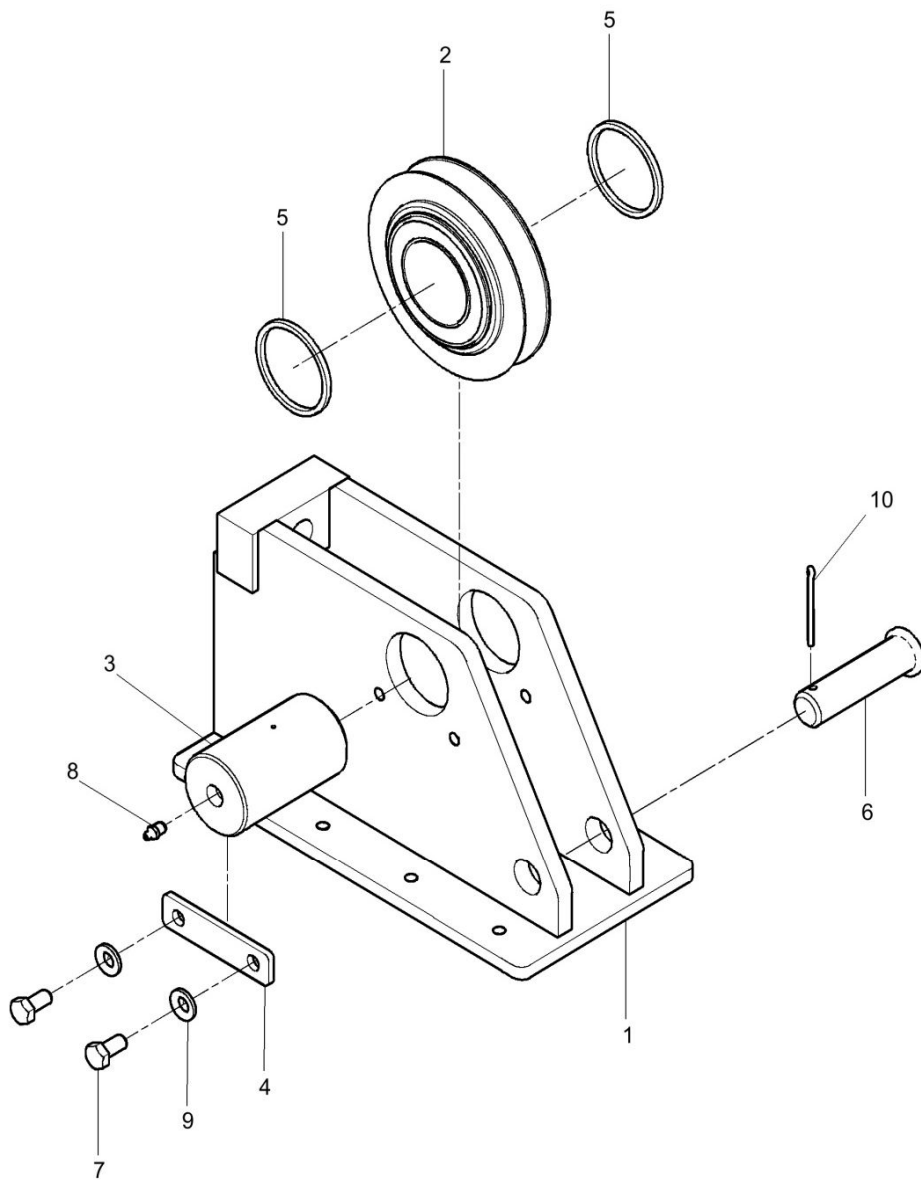


Fig.	01.100	PULLEY BRACKET ASSY
	D700	RJ111-0091

Item	Part Number	Part Name	Qty	See Fig.	Remarks
1	RJ111-0014	BLOCK	1		
2	RJ111-0090	PULLEY ASSY	1		
3	RJ111-0009	PLATE	1		
4	RJ111-0010	PLATE	1		
5	RJ111-0066	SPACER	2		
6	RJ111-0082	PIN	1		
7	S0115061	HEX BOLT	2		M12x1.75-L25-FULL-PM
8	S6710042	GREASE NIPPLE (A Type)	1		PT 1/8-CD
9	S5231201	HARDENED WASHER	2		D12-BO
10	S5735781	SPLIT PIN	1		D5-L60-ZPC3

EOL

Fig. 01.110	BEARING MOUNT BRACKET
D700	RJ111-0258

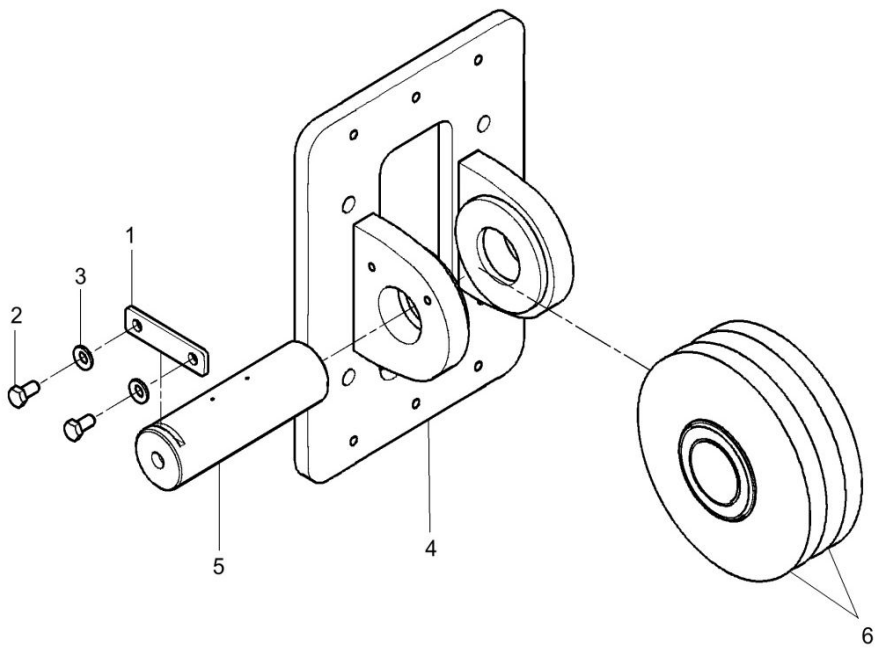


Fig.	01.110	BEARING MOUNT BRACKET
	D700	RJ111-0258

Item	Part Number	Part Name	Qty	See Fig.	Remarks
1	RJ111-0010	PLATE	1		
2	S0115061	HEX BOLT	2		M12x1.75-L25-FULL-PM
3	S5231201	HARDENED WASHER	2		D12-BO
4	RJ111-0246	BRACKET	1		
5	RJ111-0252	PLATE	1		
6	RJ111-0250	PULLEY ASSY	2		

EOL

Fig.

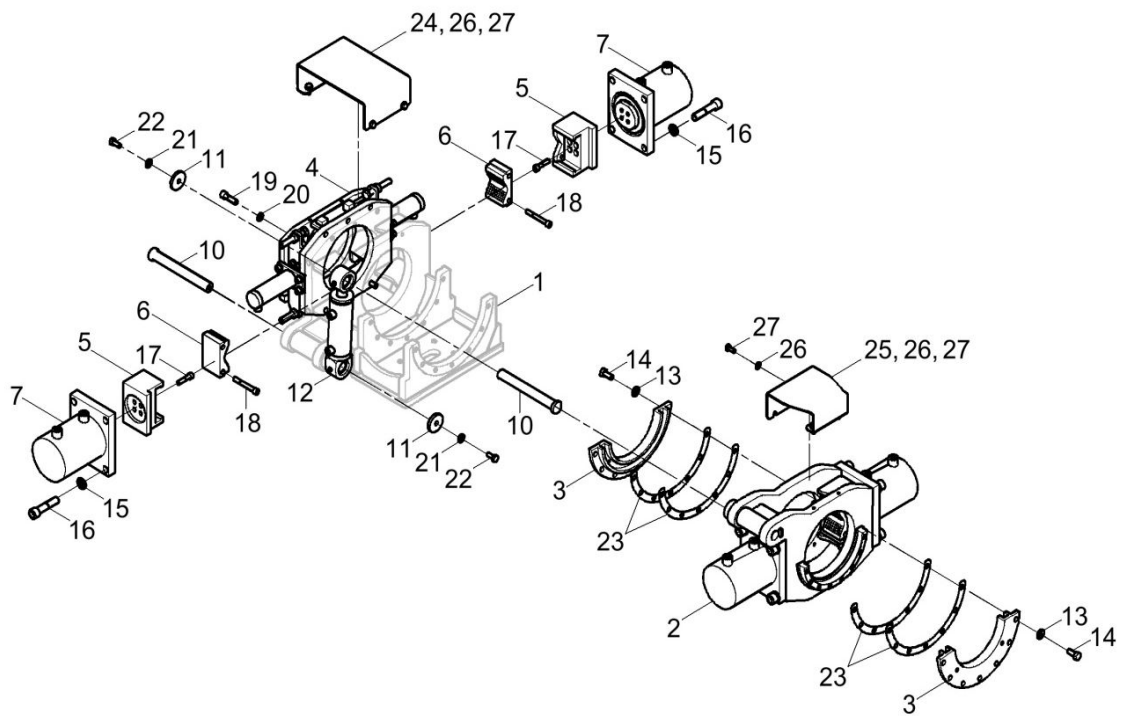
01.120**BREAK OUT SYSTEM****D700****RJ112-0001 B**

Fig.	01.120	BREAK OUT SYSTEM
	D700	RJ112-0001 B

Item	Part Number	Part Name	Qty	See Fig.	Remarks
1	RJ112-0002	BREAK OUT TABLE	1		
2	RJ112-0003	JAW ASSY	1	01.130	
3	RJ112-0007	SLIDE PLATE	2		
4	RJ112-0004	SUPPORT ASSY	1	01.150	
5	RJ112-0053	PISTON ROD	2		
6	RJ112-0005	JAW	2		
7	RJ112-0037	BREAKOUT CYLINDER	2	01.140	
10	RJ112-0033	PIN	2		
11	RJ112-0036	WASHER	2		
12	RJ112-0038	BREAKOUT WRENCH CYLINDER	1	01.180	
13	S5231405	HARDENED WASHER	14		D14-DACRO
14	S0118363	HEX BOLT	14		M14x2-L35-FULL-ZPC3
15	S5101101	SPRING WASHER	8		D20-BO
16	S2228463	SOCKET BOLT	8		M20x2.5-L90-ZPC3
17	S2215661	SOCKET BOLT	8		M12x1.75-L50-PM
18	S2216461	SOCKET BOLT	4		M12x1.75-L90-PM
19	S2218661	SOCKET BOLT	6		
20	S5100803	SPRING WASHER	6		D14-ZPC3
21	S5231203	HARDENED WASHER	2		D12-Fe/Zn8/HB
22	S0115263	HEX BOLT	2		M12x1.75-L30-FULL-ZPC3
23	RJ112-0043	SHIM	4		1T
24	RJ112-0044	PLATE	1		
25	RJ112-0045	PLATE	1		6T
26	S5231003	HARDENED WASHER	8		D10-Fe/Zn8/HB
27	S0112063	HEX BOLT	8		M10x1.5-L25-FULL-ZPC3

EOL

Fig.	01.130	JAW ASSY
	D700	RJ112-0003 B

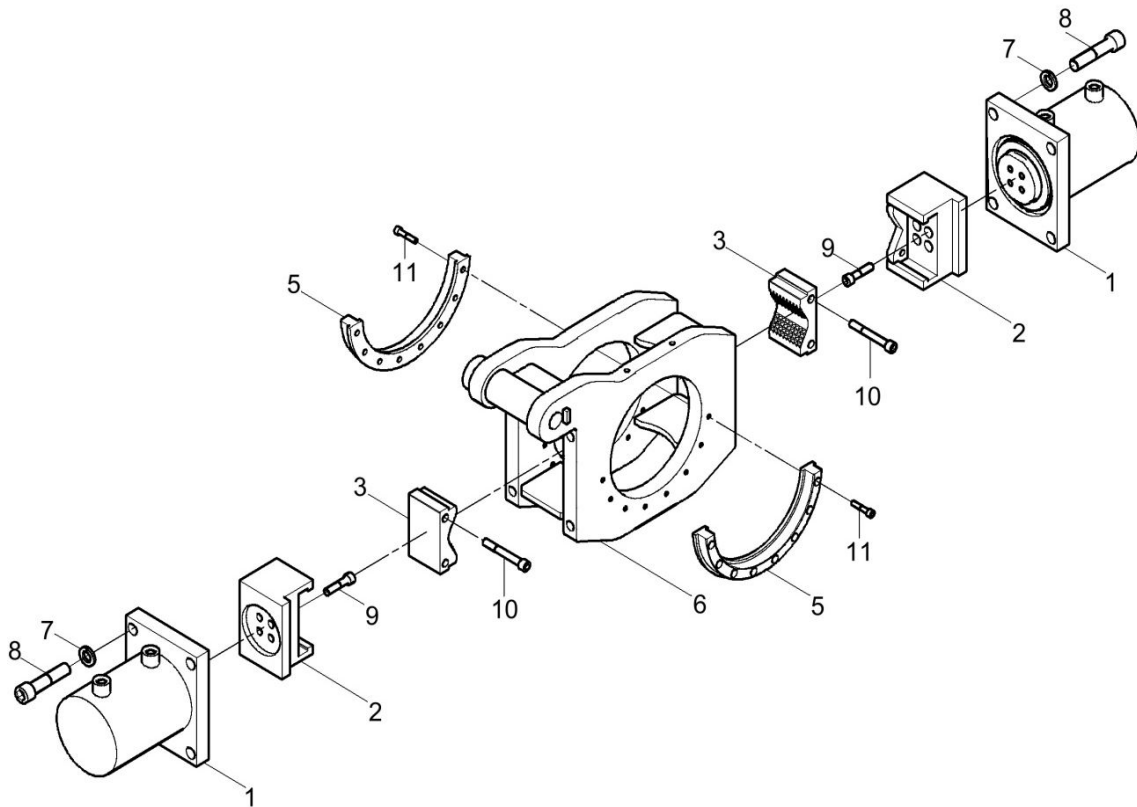


Fig.	01.130	JAW ASSY
	D700	RJ112-0003 B

Item	Part Number	Part Name	Qty	See Fig.	Remarks
1	RJ112-0037	BREAKOUT CYLINDER	2	01.140	
2	RJ112-0053	PISTON ROD	2		
3	RJ112-0005	JAW	2		
5	RJ112-0030	RAIL GUIDE	2		
6	RJ112-0040	SWING HOUSING	1		
7	S5101101	SPRING WASHER	8		D20-BO
8	S2228463	SOCKET BOLT	8		M20x2.5-L90-ZPC3
9	S2215661	SOCKET BOLT	8		M12x1.75-L50-PM
10	S2216461	SOCKET BOLT	4		M12x1.75-L90-PM
11	S2209463	SOCKET BOLT	16		M8x1.25-L40-ZPC3

EOL

Fig. 01.140	BREAKOUT CYLINDER
D700	RJ112-0037 A

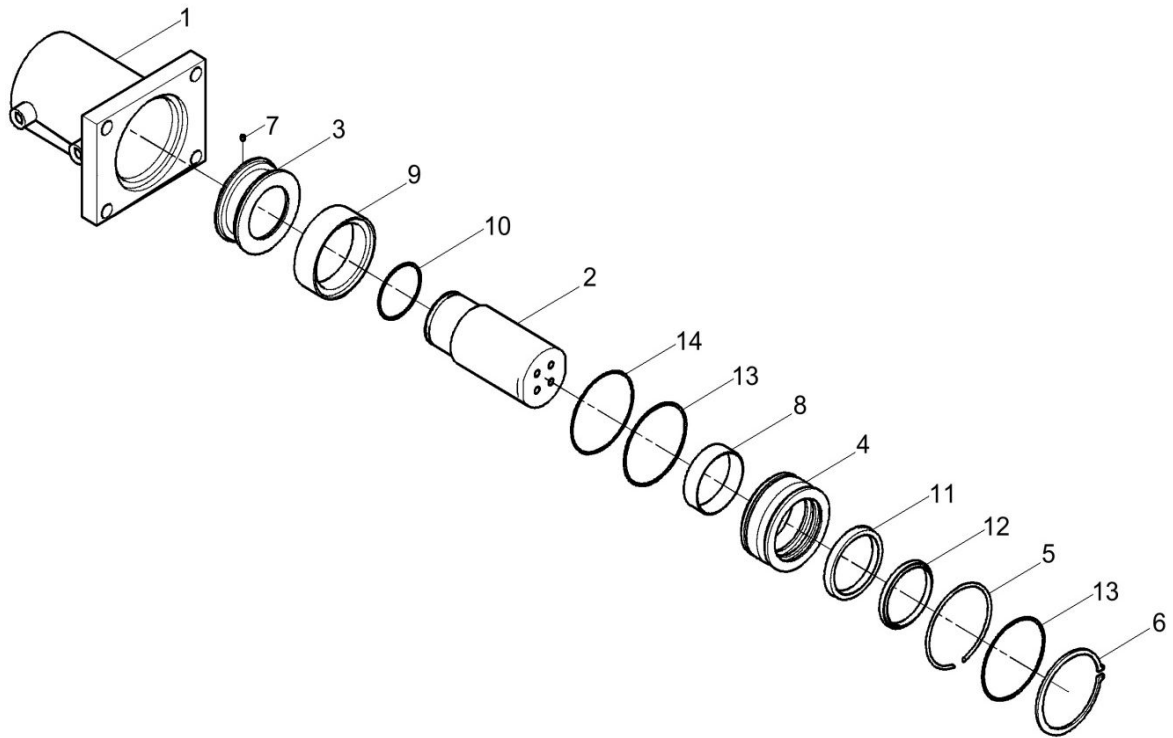


Fig. 01.140	BREAKOUT CYLINDER
D700	RJ112-0037 A

Item	Part Number	Part Name	Qty	See Fig.	Remarks
1	RJ112-0079	TUBE ASSY	1		
2	RJ112-0080	ROD ASSY	1		
3	RJ112-0081	PISTON	1		
4	RJ112-0082	ROD COVER	1		
5	RJ112-0084	RETAIN RING	1		
6	S6501200	SNAP RING (C Type)	1		D120
7	S3522503	SET SCREW(HEX SOC)	1		M6x1-L6-ZPC3
8	RJ112-0083	DU BUSH	1		
9	RB250-0110	PISTON SEAL	1		
10	S8010801	O-RING	1		G80-1B
11	RB250-0088	ROD SEAL	1		
12	RB250-0098	DUST SEAL	1		
13	S8011201	O-RING	2		G120-1B
14	S8101200	BACKUP RING	1		
EOL					

Fig.	01.150	SUPPORT ASSY
	D700	RJ112-0004

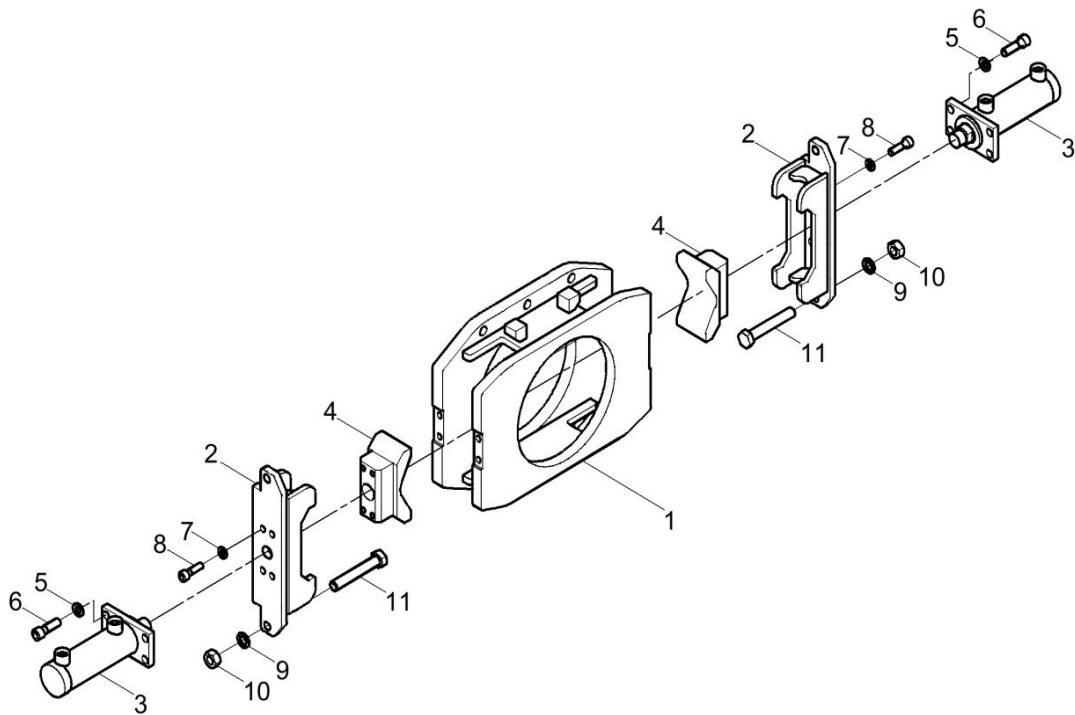


Fig.	01.150	SUPPORT ASSY
	D700	RJ112-0004

Item	Part Number	Part Name	Qty	See Fig.	Remarks
1	RJ112-0019	SUPPORT FRAME	1		
2	RJ112-0024	SUPPORT	2		
3	RJ112-0039	SUPPORT CYLINDER	2	01.160	
4	RJ112-0025	LINER	2		
5	S5100701	SPRING WASHER	8		D12-BO
6	S2215463	SOCKET BOLT	8		M12x1.75-L40-ZPC3
7	S5100603	SPRING WASHER	8		D10-ZPC3
8	S2212363	SOCKET BOLT	8		M10x1.5-L35-ZPC3
9	S5110903	SPRING WASHER	4		D16-ZPC3
10	S4012943	HEX NUT	4		M16x2-Sty.2-ZPC3
11	S0122663	HEX BOLT	4		M16x2-L100-FULL-ZPC3

EOL

Fig. 01.160	SUPPORT CYLINDER
D700	RJ112-0039

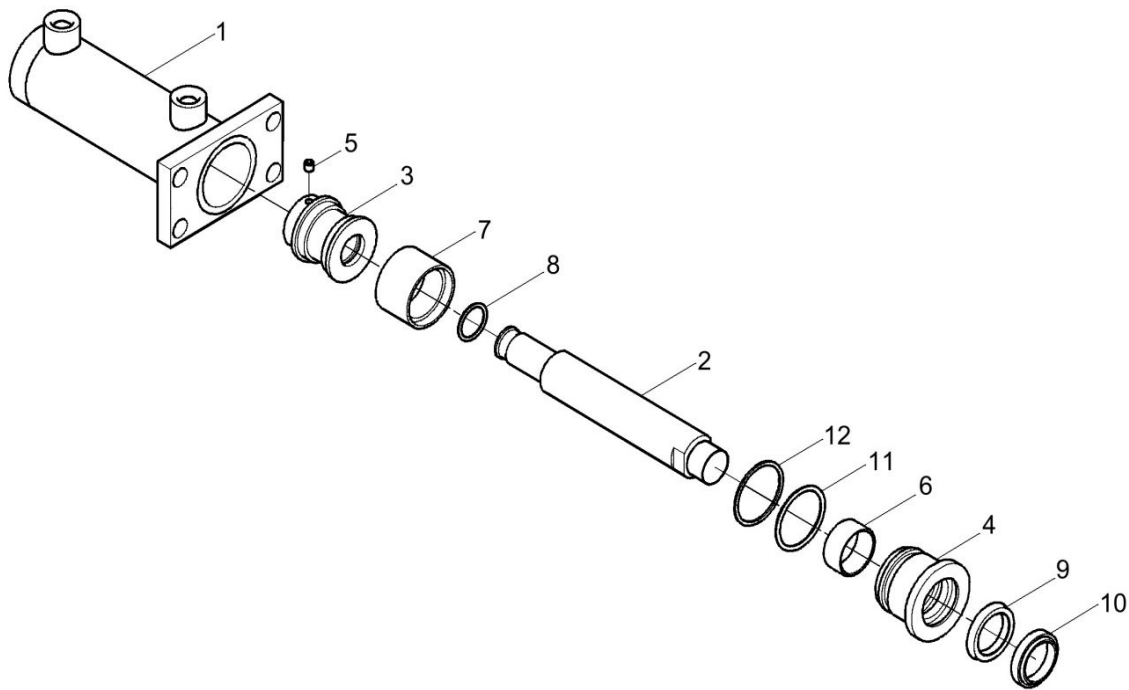


Fig.	01.160	SUPPORT CYLINDER
	D700	RJ112-0039

Item	Part Number	Part Name	Qty	See Fig.	Remarks
1	RJ112-0066	TUBE ASSY	1		
2	RJ112-0063	ROD	1		
3	RJ112-0067	PISTON	1		
4	RJ112-0064	ROD COVER	1		
5	S3522503	SET SCREW(HEX SOC)	1		M6x1-L6-ZPC3
6	S6282309	DU BUSH	1		
7	RB250-0107	PISTON SEAL	1		
8	S8000221	O-RING	1		P22-1B
9	RB250-0089	ROD SEAL	1		
10	RB250-0095	DUST SEAL	1		
11	S8010401	O-RING	1		G40-1B
12	S8100400	BACKUP RING	1		

EOL

Fig. 01.170	BREAKOUT CYLINDER
D700	RJ112-0037 A

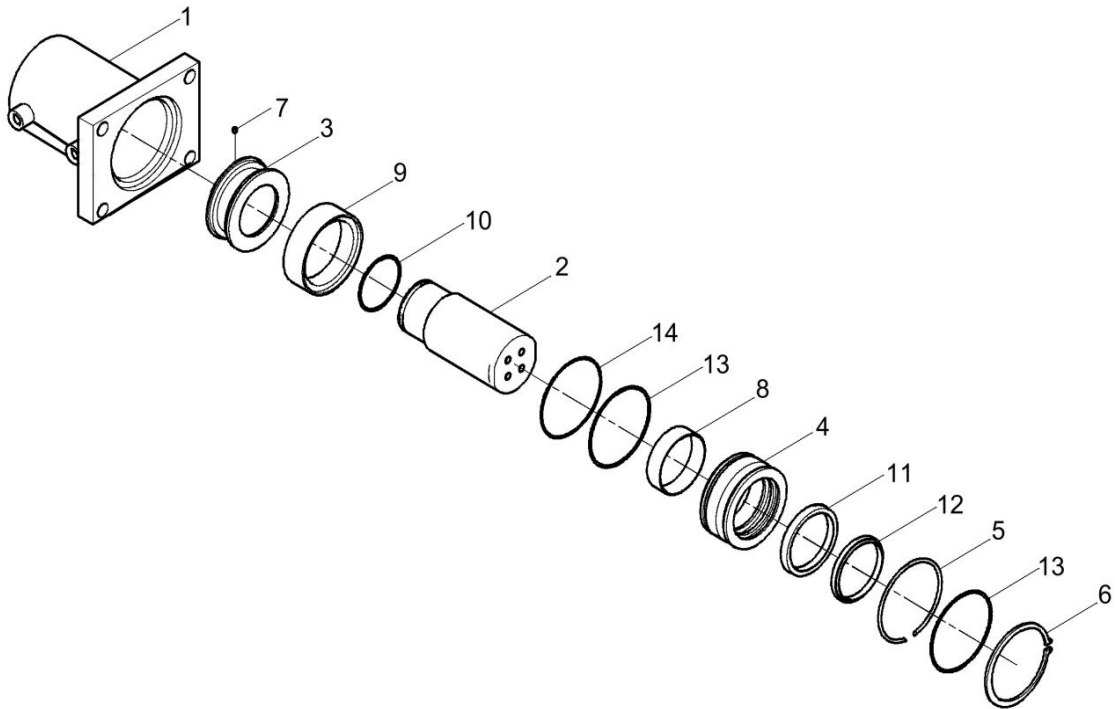


Fig.	01.170	BREAKOUT CYLINDER
	D700	RJ112-0037 A

Item	Part Number	Part Name	Qty	See Fig.	Remarks
1	RJ112-0079	TUBE ASSY	1		
2	RJ112-0080	ROD ASSY	1		
3	RJ112-0081	PISTON	1		
4	RJ112-0082	ROD COVER	1		
5	RJ112-0084	RETAIN RING	1		
6	S6501200	SNAP RING (C Type)	1		D120
7	S3522503	SET SCREW(HEX SOC)	1		M6x1-L6-ZPC3
8	RJ112-0083	DU BUSH	1		
9	RB250-0110	PISTON SEAL	1		
10	S8010801	O-RING	1		G80-1B
11	RB250-0088	ROD SEAL	1		
12	RB250-0098	DUST SEAL	1		
13	S8011201	O-RING	2		G120-1B
14	S8101200	BACKUP RING	1		
EOL					

Fig. 01.180	BREAKOUT WRENCH CYLINDER
D700	RJ112-0038

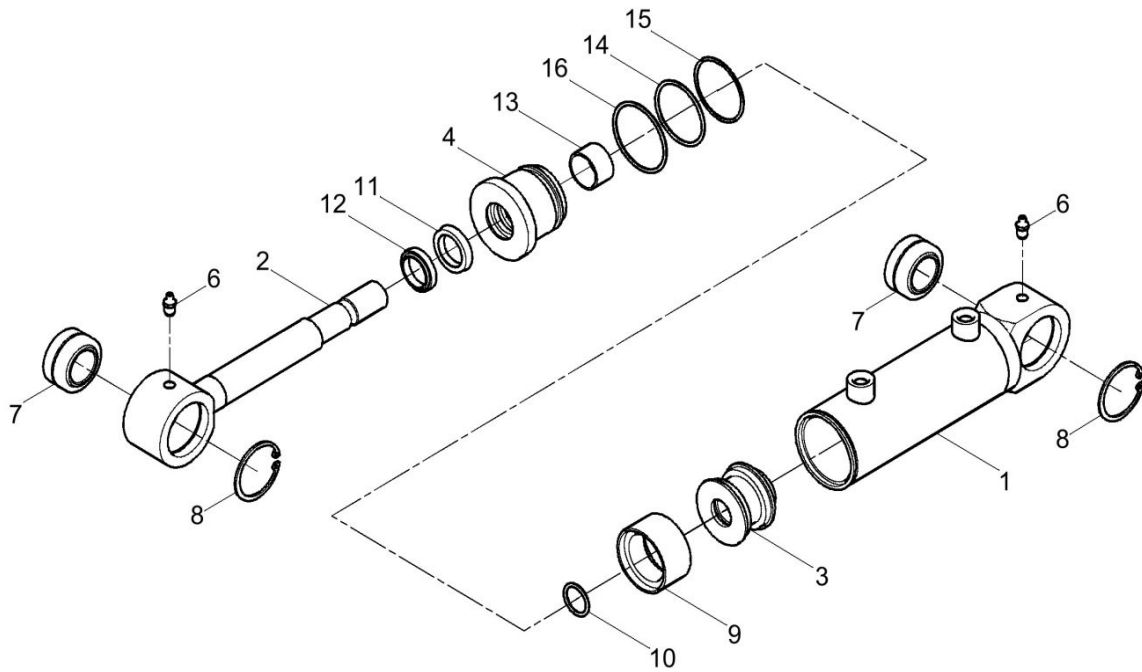


Fig.	01.180	BREAKOUT WRENCH CYLINDER
	D700	RJ112-0038

Item	Part Number	Part Name	Qty	See Fig.	Remarks
1	RJ112-0075	TUBE ASSY	1		
2	RJ112-0076	ROD ASSY	1		
3	RJ112-0077	PISTON	1		
4	RJ112-0072	ROD COVER	1		
5	S3522503	SET SCREW(HEX SOC)	1		M6x1-L6-ZPC3
6	S6710042	GREASE NIPPLE (A Type)	2		PT 1/8-CD
7	RB250-0121	SPHERICAL BEARING	2		
8	S6510500	SNAP RING (C Type)	2		D50
9	RB250-0108	PISTON SEAL	1		
10	S8010251	O-RING	1		G25-1B
11	RB250-0105	ROD SEAL	1		
12	RB250-0095	DUST SEAL	1		
13	RB250-0117	WEAR RING	1		
14	S8010551	O-RING	1		G55-1B
15	S8100550	BACKUP RING	1		
16	S8010601	O-RING	1		G60-1B

EOL

Fig. 01.190	HOOD SLIDE ASSY
D700	RJ111-0113

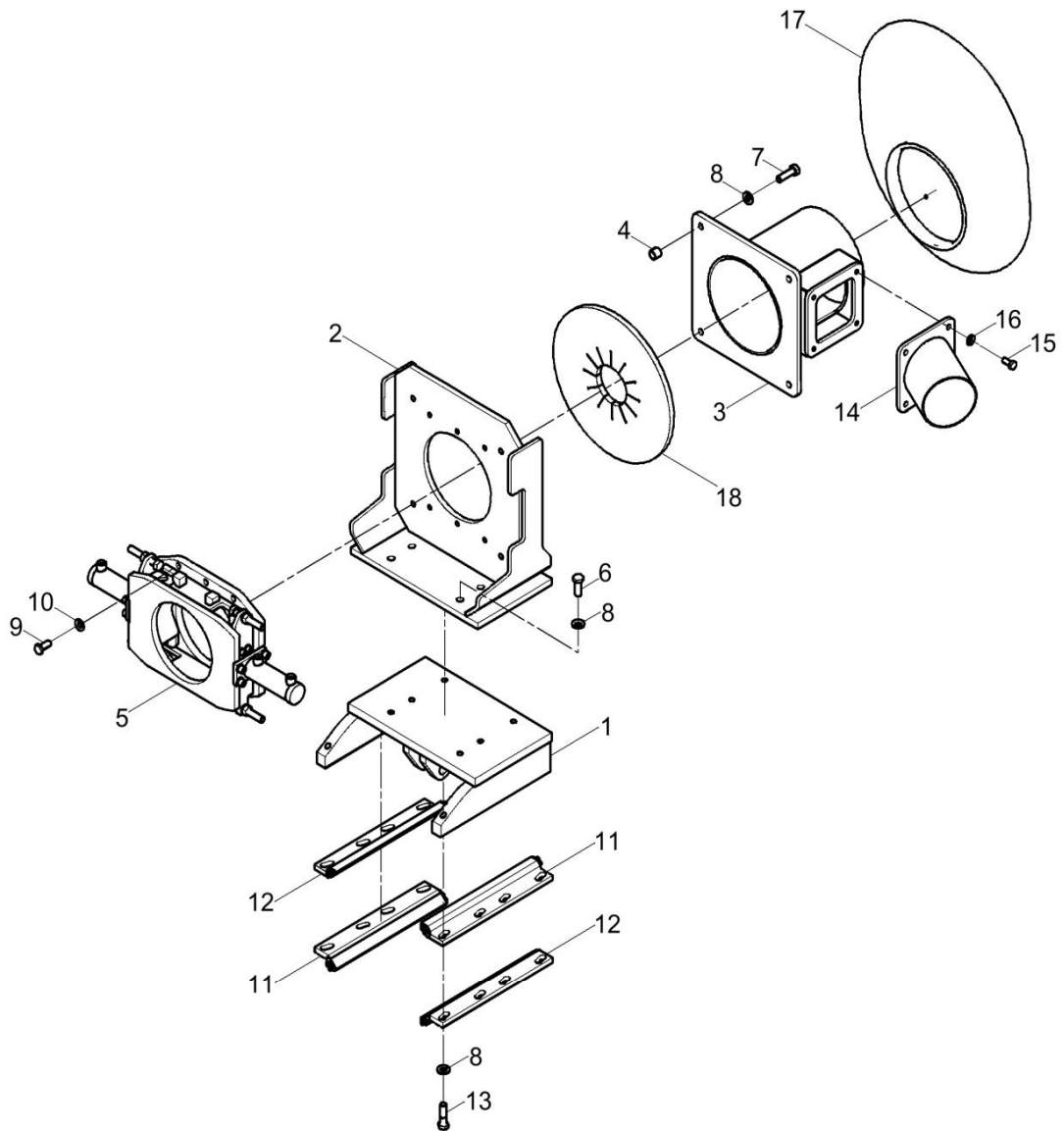


Fig.	01.190	HOOD SLIDE ASSY
	D700	RJ111-0113

Item	Part Number	Part Name	Qty	See Fig.	Remarks
1	RJ111-0100	HOOD SLIDE ASSY	1		
2	RJ111-0102	PLATE	1		
3	RJ111-0264	HOOD	1		
4	RJ111-0108	SPACER	4		
5	RJ112-0004	SUPPORT ASSY	1	01.150	
6	S0121566	HEX BOLT	6		M16x2-L45-FULL-DAC
7	S0121763	HEX BOLT	4		M16x2-L55-FULL-ZPC3
8	S5231601	HARDENED WASHER	18		D16-BO
9	S0118366	HEX BOLT	6		M14x2-L35-FULL-DAC
10	S5231402	HARDENED WASHER	6		D14-Mnph
11	RJ111-0098	GUIDE ASSY	2	01.210	
12	RJ111-0094	GUIDE ASSY	2	01.220	
13	S0121863	HEX BOLT	8		M16x2-L60-FULL-ZPC3
14	RJ111-0157 A	BRACKET	1		
15	S0115266	HEX BOLT	4		M12x1.75-L30-FULL-DAC
16	S5231201	HARDENED WASHER	4		D12-BO
17	RJ111-0176	SKIRT	1		
18	RJ111-0177	HOOD COVER	1		

EOL

Fig.	01.200	SUPPORT ASSY
	D700	RJ112-0004

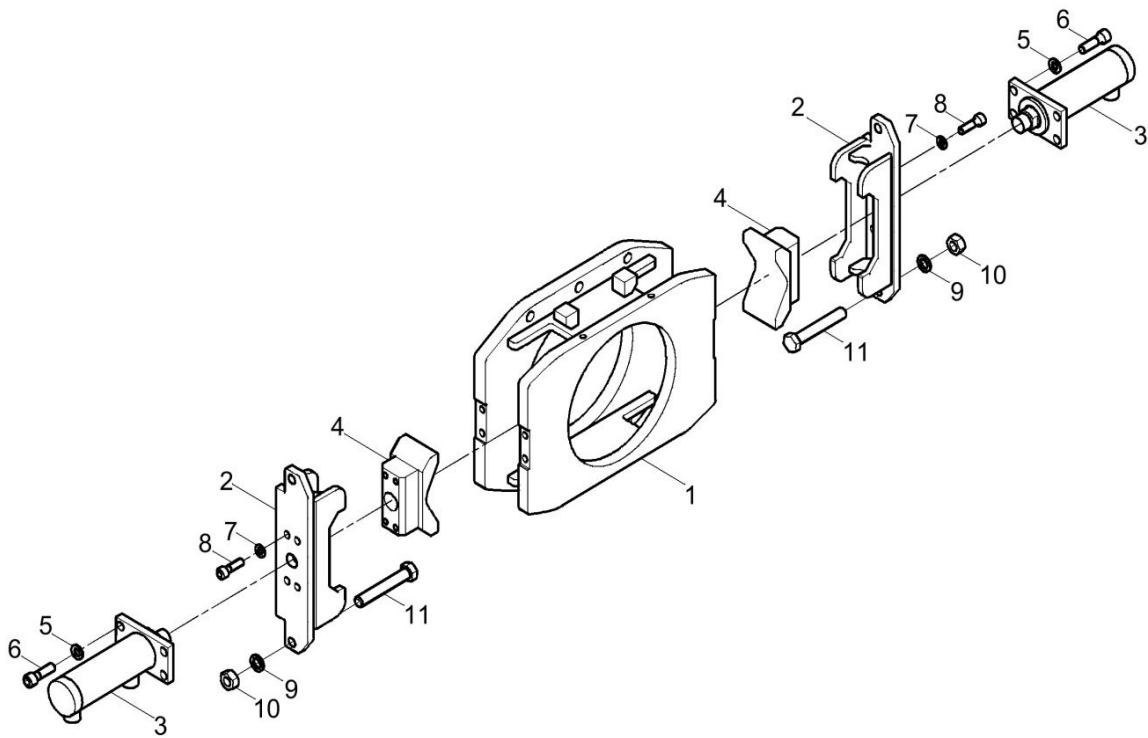


Fig.	01.200	SUPPORT ASSY
	D700	RJ112-0004

Item	Part Number	Part Name	Qty	See Fig.	Remarks
1	RJ112-0019	SUPPORT FRAME	1		
2	RJ112-0024	SUPPORT	2		
3	RJ112-0039	SUPPORT CYLINDER	2	01.160	
4	RJ112-0025	LINER	2		
5	S5100701	SPRING WASHER	8		D12-BO
6	S2215463	SOCKET BOLT	8		M12x1.75-L40-ZPC3
7	S5100603	SPRING WASHER	8		D10-ZPC3
8	S2212363	SOCKET BOLT	8		M10x1.5-L35-ZPC3
9	S5110903	SPRING WASHER	4		D16-ZPC3
10	S4012943	HEX NUT	4		M16x2-Sty.2-ZPC3
11	S0122663	HEX BOLT	4		M16x2-L100-FULL-ZPC3

EOL

Fig. 01.210	GUIDE ASSY
D700	RJ111-0098

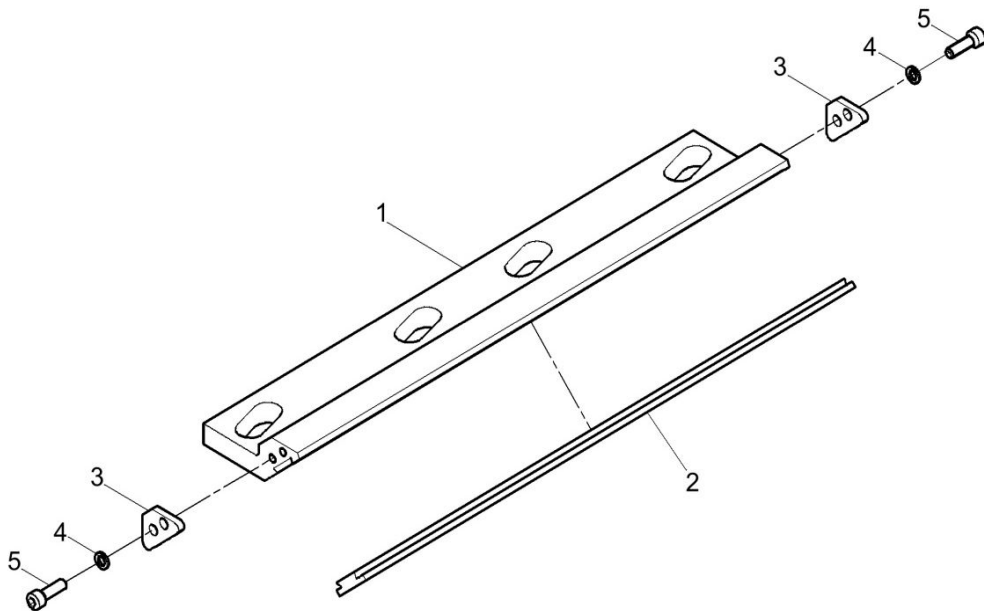


Fig.	01.210	GUIDE ASSY
	D700	RJ111-0098

Item	Part Number	Part Name	Qty	See Fig.	Remarks
1	RJ111-0099	GUIDE PLATE	1		
2	RJ111-0021	SLIDE PAD	1		
3	RJ111-0027	PLATE	2		
4	S5110303	SPRING WASHER	4		D6-ZPC3
5	S2204863	SOCKET BOLT	4		M6x1-L20-ZPC3

EOL

Fig. 01.220	GUIDE ASSY
D700	RJ111-0094

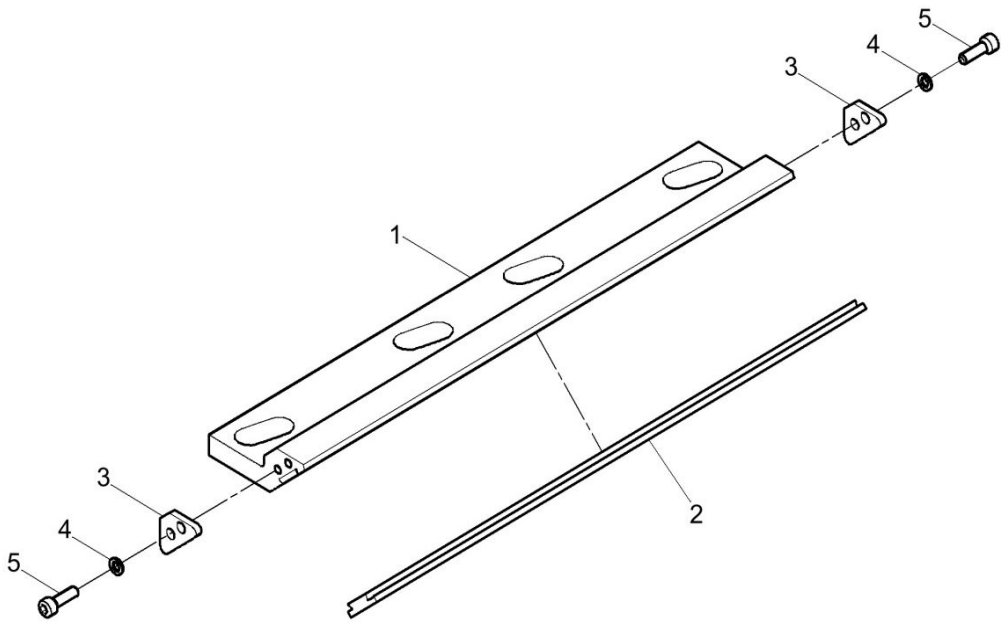


Fig.	01.220	GUIDE ASSY
	D700	RJ111-0094

Item	Part Number	Part Name	Qty	See Fig.	Remarks
1	RJ111-0097	GUIDE PLATE	1		
2	RJ111-0021	SLIDE PAD	1		
3	RJ111-0095	PLATE	2		
4	S5110303	SPRING WASHER	4		D6-ZPC3
5	S2204863	SOCKET BOLT	4		M6x1-L20-ZPC3

EOL

Fig.	01.230	WINCH ASSY
	D700	RJ111-0228 B

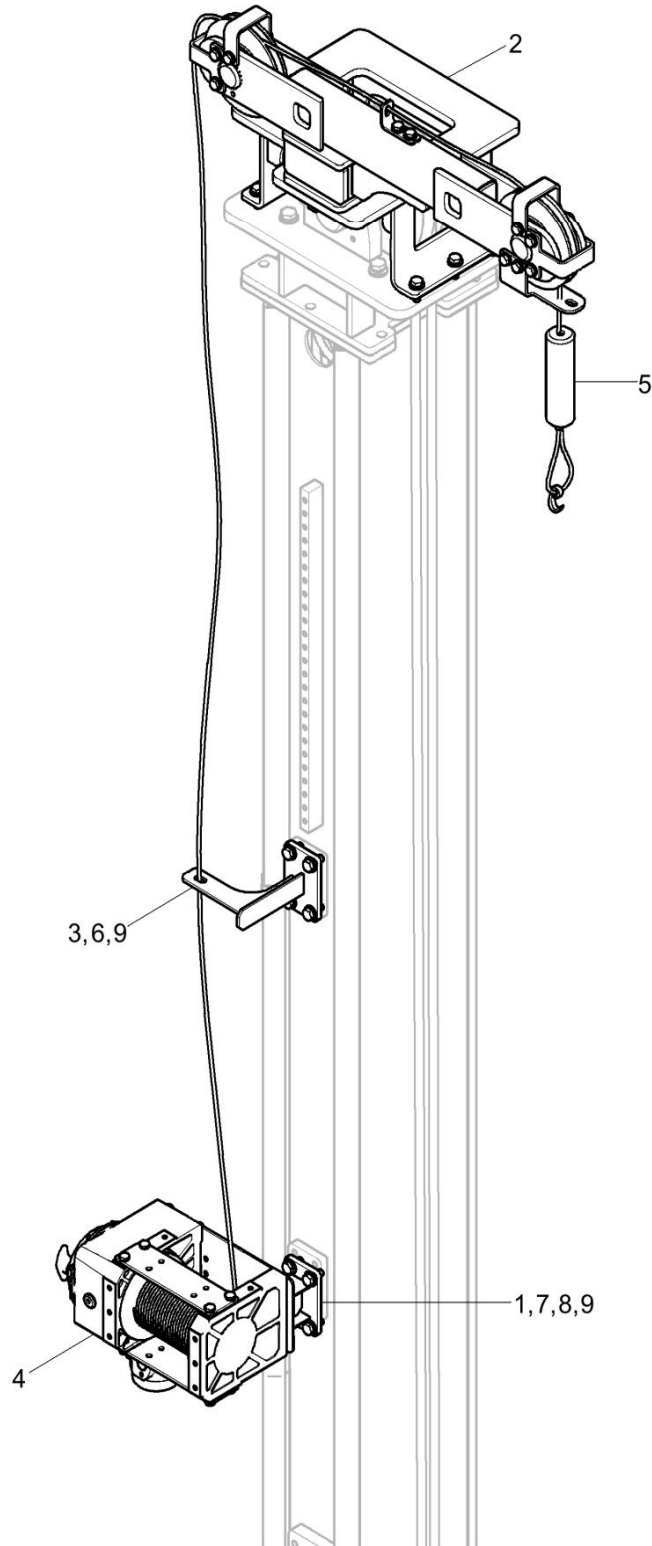


Fig.	01.230	WINCH ASSY
	D700	RJ111-0228 B

Item	Part Number	Part Name	Qty	See Fig.	Remarks
1	RJ111-0211	BRACKET	1		
2	RJ111-0192	WINCH ASSY	1		
3	RJ111-0216	BRACKET WELD ASSY	1		
4	RJ111-0210	WINCH	1		
5	RJ111-0221	WIRE ASSY	1		
6	S5231203	HARDENED WASHER	8		D12-Fe/Zn8/HB
7	S0108861	HEX BOLT	6		M8x1.25-L20-FULL-PM
8	S5230806	HARDENED WASHER	6		D8-DACROT
9	S0115266	HEX BOLT	8		M12x1.75-L30-FULL-DAC
EOL					

Fig. 02.010	HANDLE ARC ASSY
D700	RJ116-0001 C

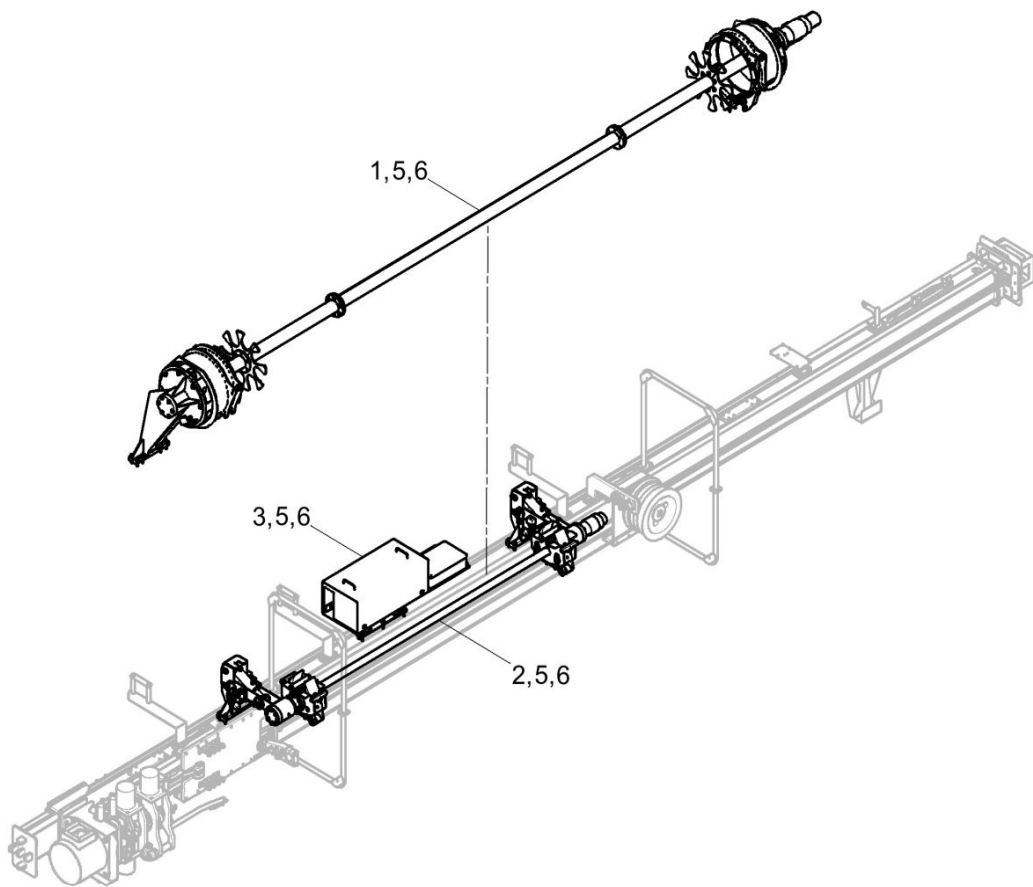


Fig.	02.010	HANDLE ARC ASSY
	D700	RJ116-0001 C

Item	Part Number	Part Name	Qty	See Fig.	Remarks
1	RJ116-0002 A	MAGAZINE ASSY	1	02.020	
2	RJ116-0003 A	HANDLE ASSY	1	02.030	
3	RJ116-0004 B	ARC VALVE BRACKET ASSY	1	02.040	
5	S0118866	HEX BOLT	30		M14x2-L60-FULL-DAC
6	S5231401	HARDENED WASHER	30		D14-BO

EOL

Fig. 02.020	MAGAZINE ASSY
D700	RJ116-0002 D

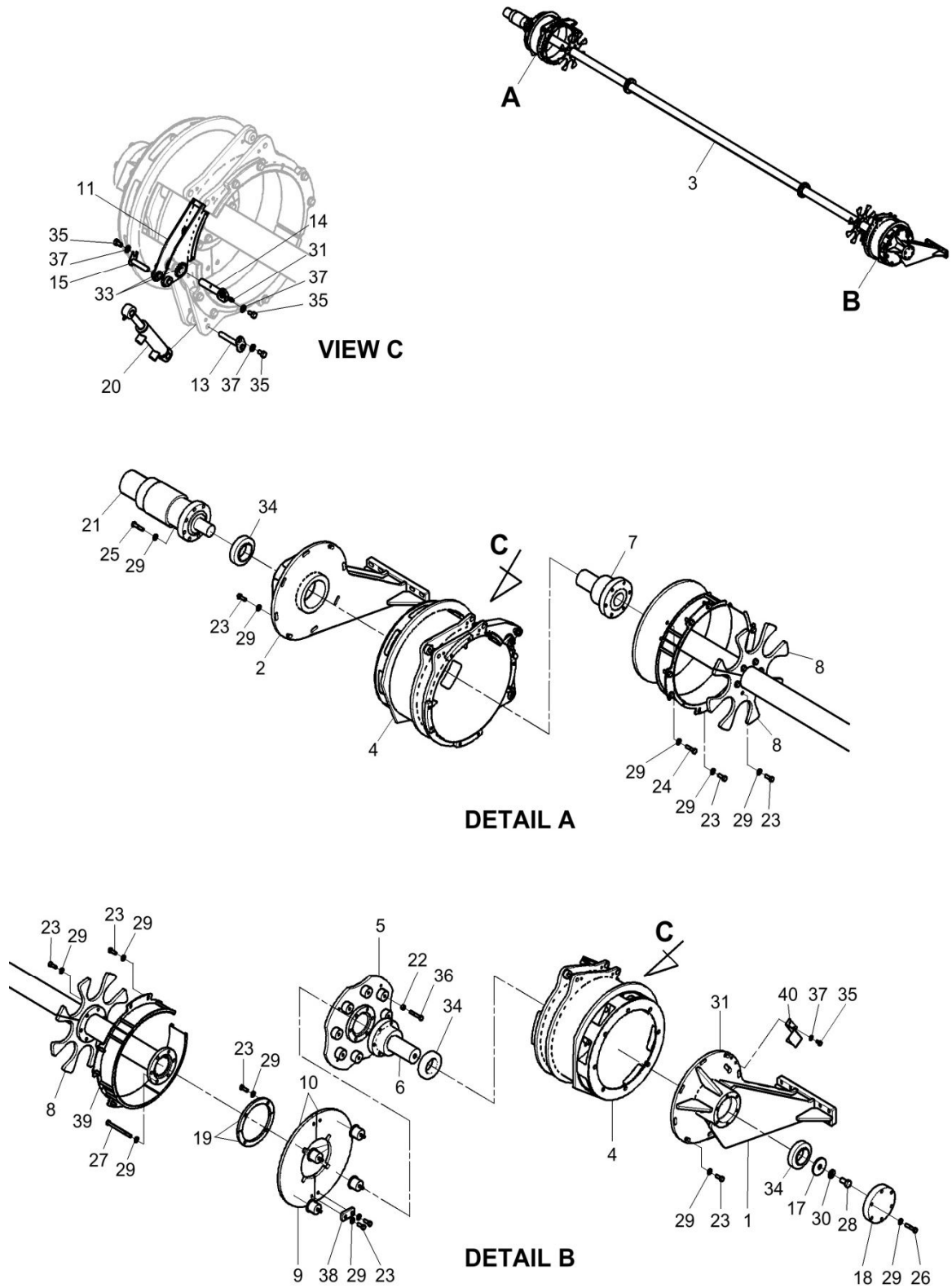


Fig.	02.020	MAGAZINE ASSY
	D700	RJ116-0002 D

Item	Part Number	Part Name	Qty	See Fig.	Remarks
1	RJ116-0005 A	LOWER PARTS ASSY	1		
2	RJ116-0006 A	UPPER PART ASSY	1		
3	RJ116-0007 A	SHAFT ASSY	1		
4	RJ116-0008 A	HOUSING ASSY	2		
5	RJ116-0009	PIVOT	1		
6	RJ116-0010 A	SHAFT	1		
7	RJ116-0011 A	SHAFT	1		
8	RJ116-0012	HUB	4		
9	RJ116-0013	STOPPER	4		
10	RJ116-0014 A	PLATE	2		
11	RJ116-0178	COVER ASSY	2		
13	RJ116-0055	PIN ASSY	2		
14	RJ116-0058 A	PIN ASSY	2		
15	RJ116-0059	PIN ASSY	2		
17	RJ116-0015	CAP	1		
18	RJ116-0016	CAP	1		
19	RJ116-0017	RING	2		
20	RB530-0014	SWING CYLINDER	2		
21	RJ150-0002	ROTARY ACTUATOR	1		
22	S4010743	HEX NUT	8		M12x1.75-Sty.1-ZPC3
23	S0160463	HEX BOLT	48		M12x1.75-L35-ZPC3
24	S0160763	HEX BOLT	6		M12x1.75-L50-ZPC3
25	S0160863	HEX BOLT	7		M12x1.75-L55-ZPC3
26	S0160963	HEX BOLT	6		M12x1.75-L60-ZPC3
27	S0162563	HEX BOLT	6		M12x1.75-L150-ZPC3
28	S0127461	HEX BOLT	1		M20x2.5-L40-FULL-PM
29	S5231203	HARDENED WASHER	73		D12-Fe/Zn8/HB
30	S5232003	HARDENED WASHER	1		D20-Fe/Zn8/HB
31	S6710043	GREASE NIPPLE (A Type)	4		PT 1/8-ZPC3
33	RJ116-0054	BUSH	4		
34	RA400-0098	TAPERED ROLLER BEARING	3		
35	S0111863	HEX BOLT	8		M10x1.5-L20-FULL-ZPC3
36	S0161163	HEX BOLT	8		M12x1.75xL70-ZPC3
37	S5231003	HARDENED WASHER	8		D10-Fe/Zn8/HB
38	RJ116-0181	PLATE	2		
39	RJ116-0157 A	INNER HOUSING	8		
40	RJ116-0186	COVER	1		

EOL

Fig. 02.030	HANDLE ASSY
D700	RJ116-0003 D

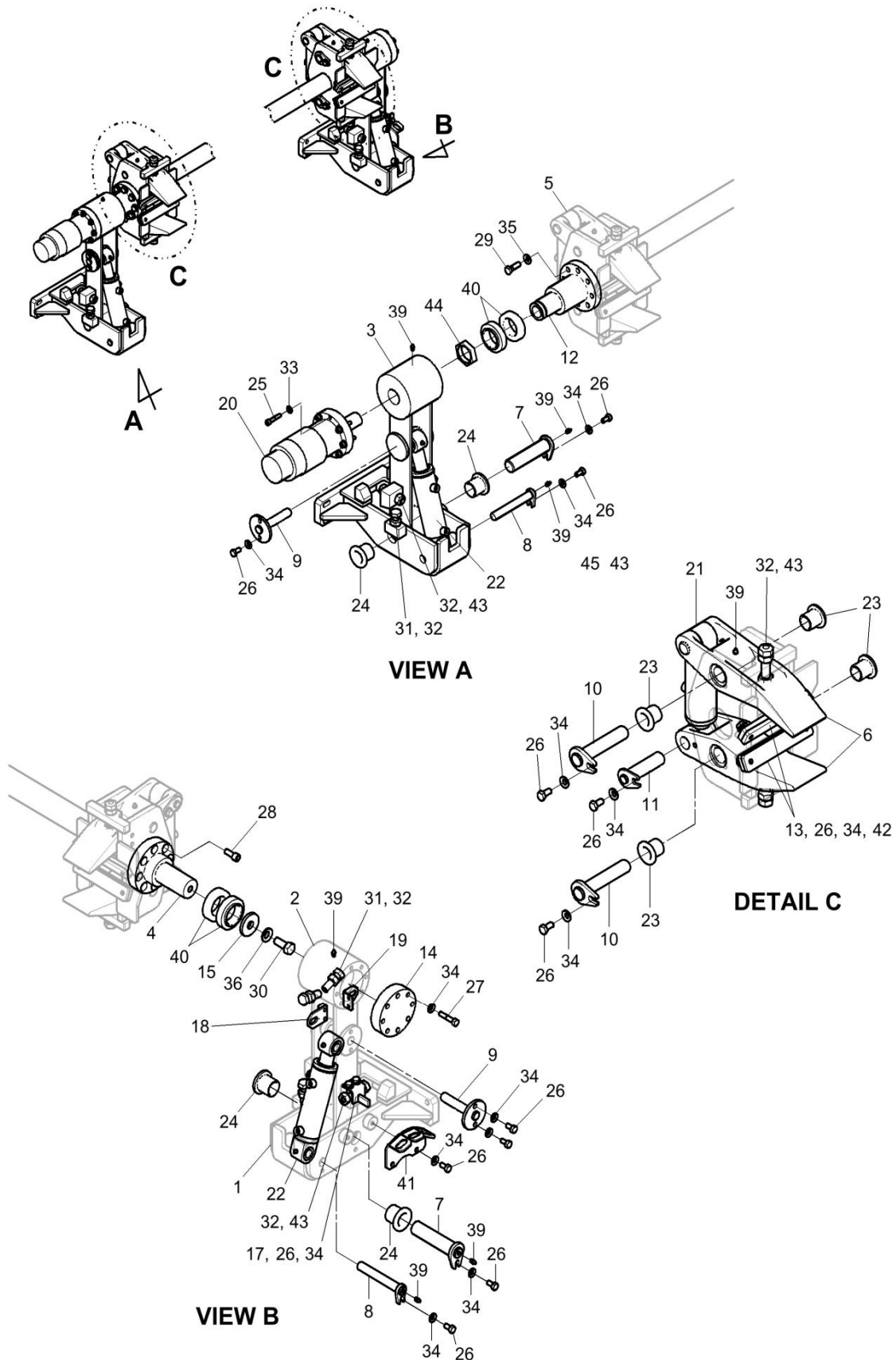


Fig.	02.030	HANDLE ASSY
	D700	RJ116-0003 D

Item	Part Number	Part Name	Qty	See Fig.	Remarks
1	RJ116-0019 B	BRACKET	1		
2	RJ116-0020 B	ARM	1		
3	RJ116-0021 B	ARM	1		
4	RJ116-0025 C	SHAFT	1		
5	RJ116-0018 B	HANDLE GUIDE ASSY	1		
6	RJ116-0036 B	HANDLE	4		
7	RJ116-0034	PIN ASSY	2		
8	RJ116-0027 A	PIN ASSY	2		
9	RJ116-0028	PIN ASSY	2		
10	RJ116-0029	PIN ASSY	4		
11	RJ116-0030	PIN ASSY	4		
12	RJ116-0052 C	BOSS	1		
13	RJ116-0026	PAD	4		
14	RJ116-0023	CAP	1		
15	RJ116-0039	CAP	1		
17	RJ116-0182	SENSOR BRACKET	1		
18	RJ116-0042 A	BRACKET	1		
19	RJ116-0053 A	PLATE	1		
20	RJ150-0001	ROTARY ACTUATOR	1		
21	RJ116-0035	CLAMP CYLINDER	2		
22	RJ116-0037	SWING CYLINDER	2		
23	RJ116-0032	BUSH	8		
24	RJ116-0038	BUSH	4		
25	S2212663	SOCKET BOLT	7		M10x1.5-L50-ZPC3
26	S0115063	HEX BOLT	28		M12x1.75-L25-FULL-ZPC3
27	S0160963	HEX BOLT	8		M12x1.75-L60-ZPC3
28	S2218361	SOCKET BOLT	8		M14x2-L35-PM
29	S0162861	HEX BOLT	8		M14x2-L45-PM
30	S0127663	HEX BOLT	1		M20x2.5-L50-FULL-ZPC3
31	S0170063	HEX BOLT	4		M20x2.5-L60-ZPC3
32	S4013133	HEX NUT	16		M20x2.5-Sty.2-ZPC3
33	S5231003	HARDENED WASHER	7		D10-Fe/Zn8/HB
34	S5231203	HARDENED WASHER	36		D12-Fe/Zn8/HB
35	S5231403	HARDENED WASHER	8		D14-Fe/Zn8/HB
36	S5232003	HARDENED WASHER	1		D20-Fe/Zn8/HB
39	S6710043	GREASE NIPPLE (A Type)	10		PT 1/8-ZPC3
40	RA400-0097	TAPERED ROLLER BEARING	4		
41	RJ116-0172	SENSOR BRACKET	1		
42	RJ116-0175	PLATE	4		
43	S0128271	HANDLE ASSY	8		

Fig. 02.030	HANDLE ASSY
D700	RJ116-0003 D

Item	Part Number	Part Name	Qty	See Fig.	Remarks
44	RJ116-0204	NUT	1		
45	RJ116-0213	BRACKET	1		
EOL					

Fig. 02.040	ARC VALVE BRACKET ASSY
D700	RJ116-0004 C

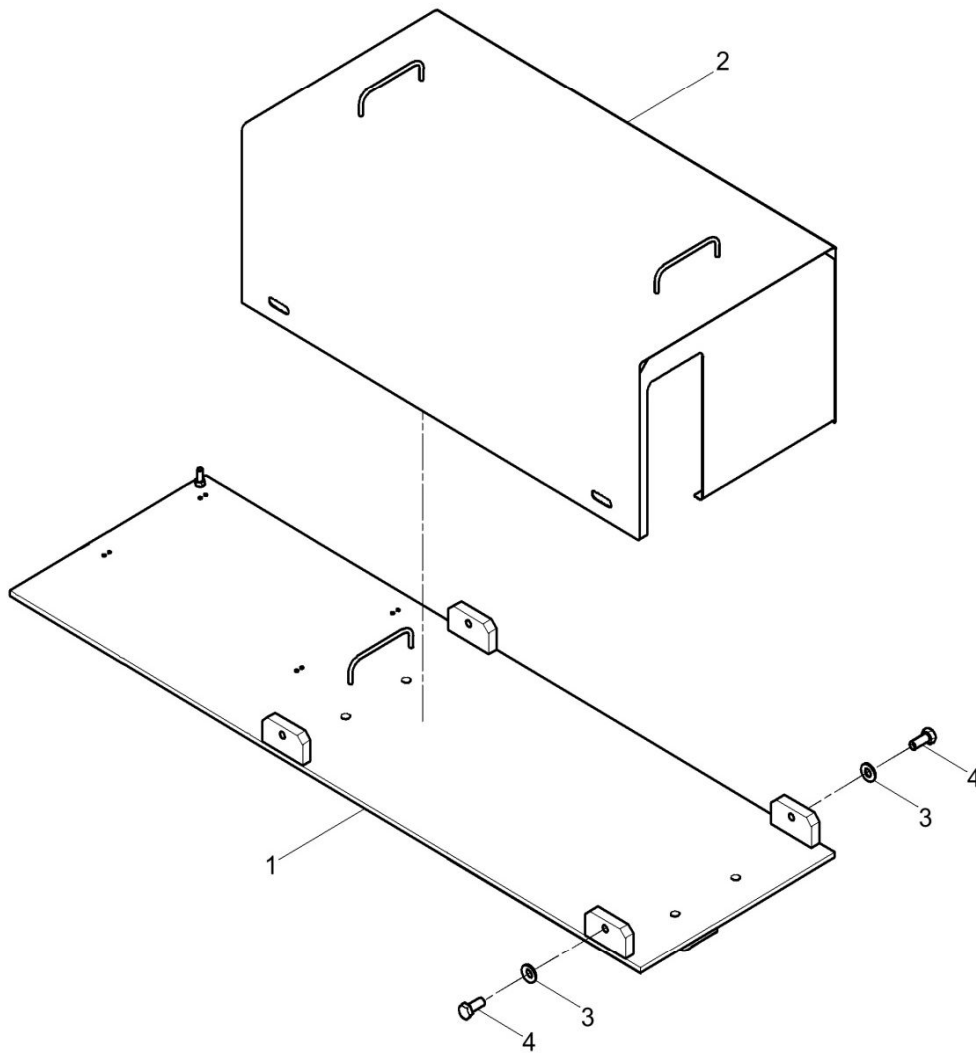


Fig.	02.040	ARC VALVE BRACKET ASSY
	D700	RJ116-0004 C

Item	Part Number	Part Name	Qty	See Fig.	Remarks
1	RJ116-0129 C	ARC V/V BRACKET	1		
2	RJ116-0131 B	ARC V/V BRACKET COVER	1		
3	S5231203	HARDENED WASHER	4		D12-Fe/Zn8/HB
4	S0115263	HEX BOLT	4		M12x1.75-L30-FULL-ZPC3
EOL					

Fig.

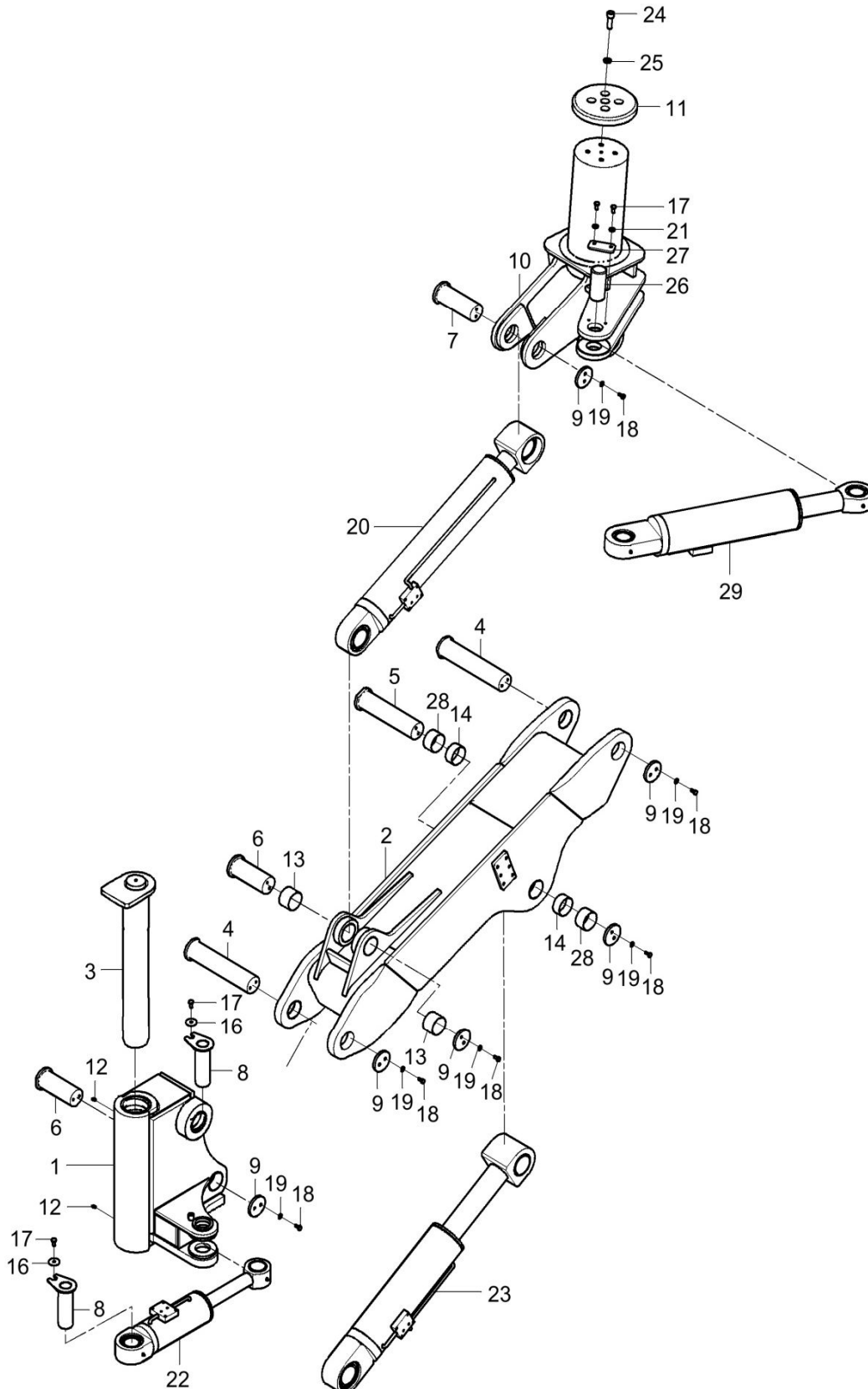
03.010**BOOM ASSY****D700****RJ106-0001 A**

Fig.	03.010	BOOM ASSY
	D700	RJ106-0001 A

Item	Part Number	Part Name	Qty	See Fig.	Remarks
1	RJ106-0003 A	PEDESTAL	1		
2	RJ106-0002 B	BOOM WELD	1		
3	RJ106-0035 A	PIVOT ASSY	1		
4	RJ106-0038 A	PIN	2		
5	RJ106-0040 A	PIN	1		
6	RJ106-0041 A	PIN	2		
7	RJ106-0039 A	PIN	1		
8	RJ106-0042	PIN ASSY	2		
9	RJ106-0045	COVER	6		
10	RJ106-0052	DUMP CLEVIS	1		
11	RJ110-0043	CAP	1		
12	S6710042	GREASE NIPPLE (A Type)	3		PT 1/8-CD
13	RJ106-0050 A	DU BUSH	2		D85xL60
14	RJ106-0049 A	DU BUSH	2		D85xL40
16	D-18022100	PLANE WASHER	2		
17	S0115061	HEX BOLT	4		M12x1.75-L25-FULL-PM
18	S0112063	HEX BOLT	12		M10x1.5-L25-FULL-ZPC3
19	S5231003	HARDENED WASHER	12		D10-Fe/Zn8/HB
20	RJ106-0048	MAST DUMP CYLINDER	1	03.070	
21	S5231201	HARDENED WASHER	2		D12-BO
22	RJ106-0047	BOOM SWING CYL	1	03.030	
23	RJ106-0046	BOOM LIFT CYLINDER	1	03.020	
24	S2327866	SOCKET BOLT	4		M20x2.5-L60-FULL-DAC
25	S5101112	SPRING WASHER	4		D20-PM
26	RJ110-0052 A	PIN	1		
27	RJ110-0038	PLATE	1		
28	RJ106-0051 A	DU BUSH	2		D85xL50
29	RJ110-0051	MAST SWING CYLINDER	1	03.060	

EOL

Fig. 03.020	BOOM LIFT CYLINDER
D700	RJ106-0046 A

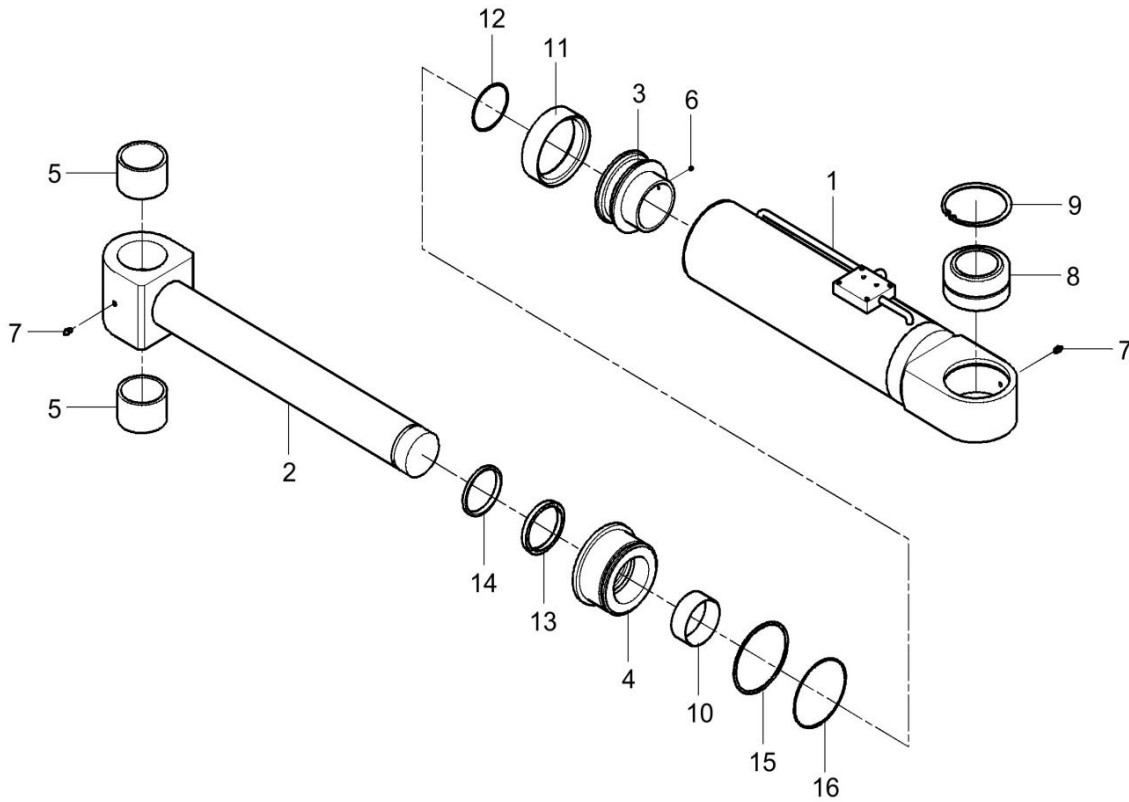


Fig.	03.020	BOOM LIFT CYLINDER
	D700	RJ106-0046 A

Item	Part Number	Part Name	Qty	See Fig.	Remarks
1	RJ106-0070	TUBE ASSY	1		
2	RJ106-0068	ROD ASSY	1		
3	RJ106-0121	PISTON	1		
4	RJ106-0071	ROD COVER	1		
5	RJ106-0069	BUSH	2		
6	S3522503	SET SCREW(HEX SOC)	1		M6x1-L6-ZPC3
7	S6710042	GREASE NIPPLE (A Type)	2		PT 1/8-CD
8	RB250-0127	SPHERICAL BEARING	1		
9	RJ106-0125	SNAP RING (C Type)	1		
10	RJ106-0122	DU BUSH	1		
11	RB250-0113	PISTON SEAL	1		
12	S8011001	O-RING	1		G100-1B
13	RB250-0092	ROD SEAL	1		
14	RB250-0099	DUST SEAL	1		
15	S8011501	O-RING	1		G150-1B
16	S8101500	BACKUP RING	1		

EOL

Fig. 03.030	BOOM SWING CYL
D700	RJ106-0047

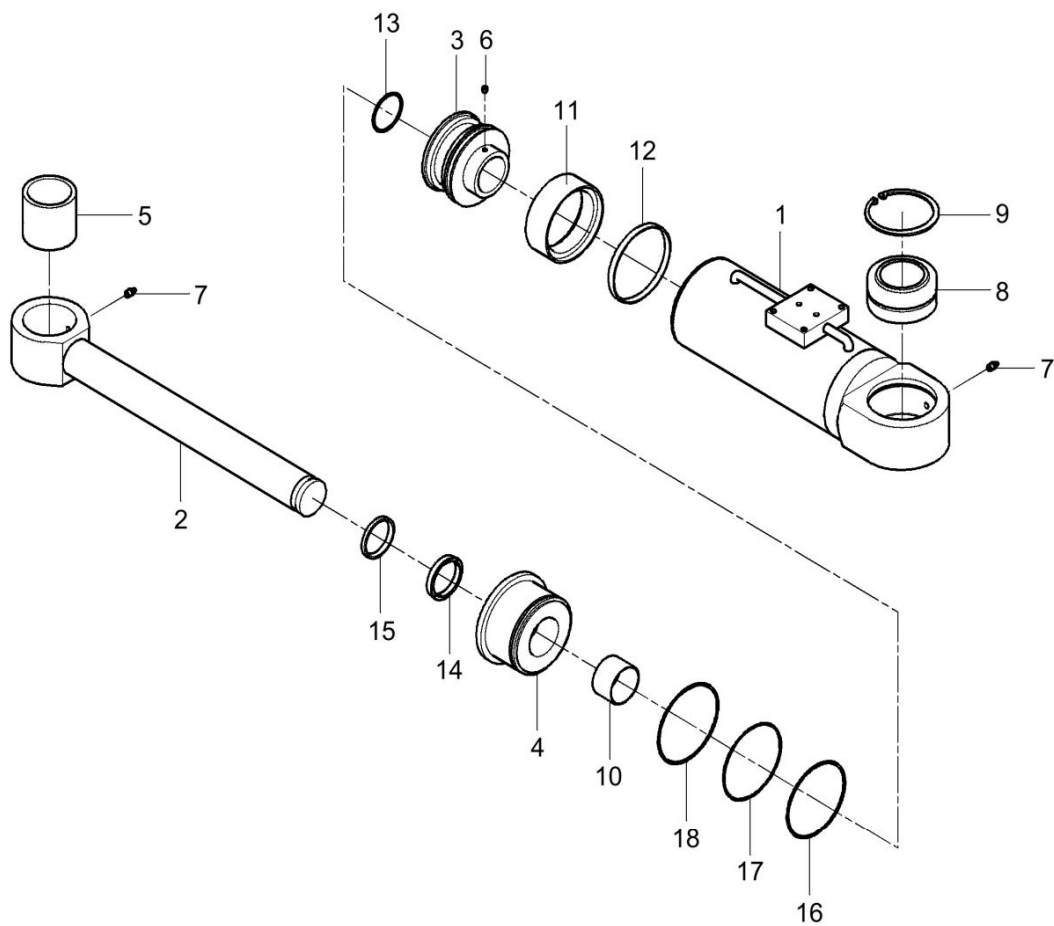


Fig.	03.030	BOOM SWING CYL
	D700	RJ106-0047

Item	Part Number	Part Name	Qty	See Fig.	Remarks
1	RJ106-0113	TUBE ASSY	1		
2	RJ106-0114	ROD ASSY	1		
3	RJ106-0109	PISTON	1		
4	RJ106-0105	ROD COVER	1		
5	RJ106-0108	BUSH	1		
6	S3523408	SET SCREW(HEX SOC)	1		M8x1.25-L8-ZPC3
7	S6710042	GREASE NIPPLE (A Type)	2		PT 1/8-CD
8	RB250-0124	SPHERICAL BEARING	1		
9	S6511100	SNAP RING (C Type)	1		D110
10	S6283214	DU BUSH	1		
11	RB250-0111	PISTON SEAL	1		
12	RB250-0119	WEAR RING	1		
13	S8010601	O-RING	1		G60-1B
14	RB250-0086	ROD SEAL	1		
15	RB250-0096	DUST SEAL	1		
16	S8011251	O-RING	1		G125-1B
17	S8101250	BOOM SWING CYL	1		
18	S8011301	O-RING	1		G130-1B

EOL

Fig. 03.040	GUIDE SHELL ASSY
D700	RJ110-0001

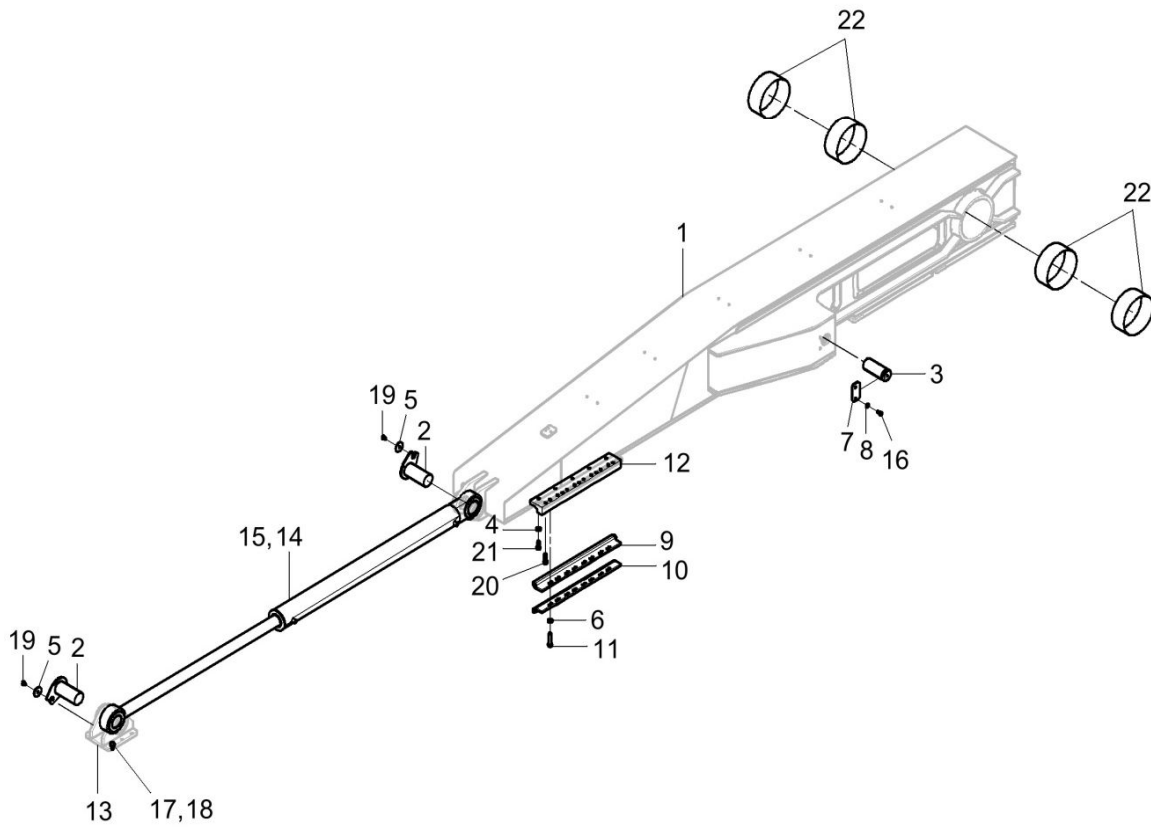


Fig.	03.040	GUIDE SHELL ASSY
	D700	RJ110-0001

Item	Part Number	Part Name	Qty	See Fig.	Remarks
1	RJ110-0002	GUIDE SHELL WELD ASSY	1		
2	RJ110-0039	PIN	2		
3	RJ110-0037	PIN	1		
4	S5231602	HARDENED WASHER	30		D16-Mnph
5	RJ110-0044	WASHER	2		
6	S5231601	HARDENED WASHER	48		D16-BO
7	RJ110-0038	PLATE	1		
8	S5231201	HARDENED WASHER	2		D12-BO
9	RJ110-0019	GUIDE ASSY	6		
10	RJ110-0034	GUIDE ASSY	6		
11	S0122263	HEX BOLT	48		M16x2-L80-FULL-ZPC3
12	RJ110-0036	GUIDE BLOCK	6		
13	RJ110-0045	BRACKET	1		
14	RJ111-0127	MAST EXTENSION CYL ASSY	1	03.050	
15	RJ110-0056	SHIM	16		I.D81XO.D140-PL1
16	S0115061	HEX BOLT	2		M12x1.75-L25-FULL-PM
17	S0118366	HEX BOLT	6		M14x2-L35-FULL-DAC
18	S5231401	HARDENED WASHER	6		D14-BO
19	S0114663	HEX BOLT	2		M12x1.75-L16-FULL-ZPC3
20	S2321663	SOCKET BOLT	30		M16x2-L50-FULL-ZPC3
21	S0121466	HEX BOLT	30		M16x2-L40-FULL-DAC
22	RJ103-0088	DX BUSH	4		

EOL

Fig. 03.050	MAST EXTENSION CYL ASSY
D700	RJ111-0127

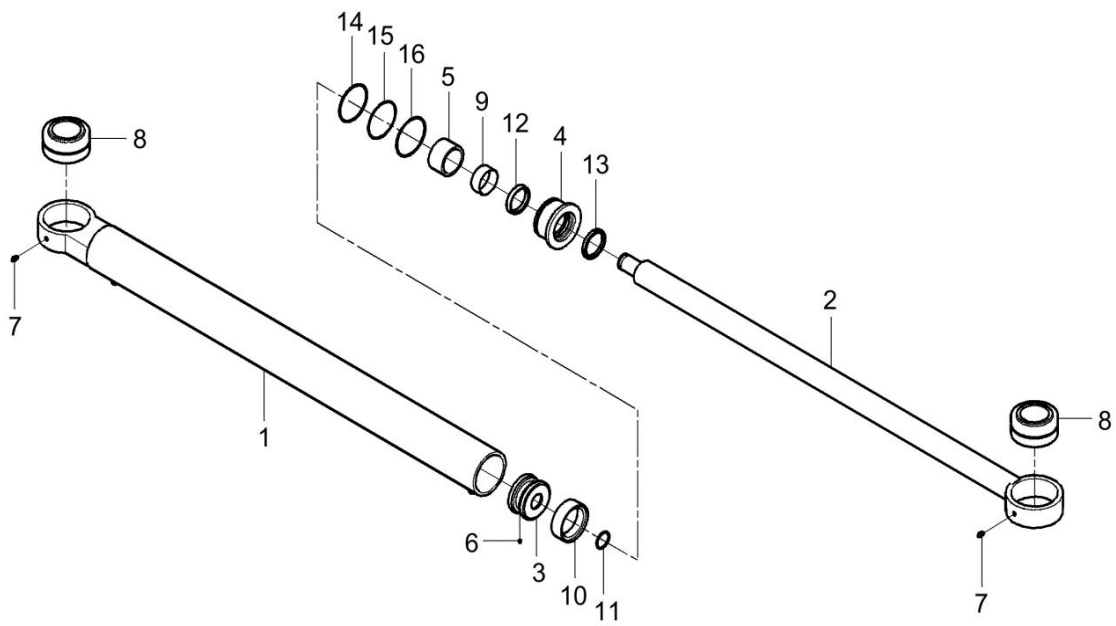


Fig.	03.050	MAST EXTENSION CYL ASSY
	D700	RJ111-0127

Item	Part Number	Part Name	Qty	See Fig.	Remarks
1	RJ111-0271	TUBE	1		
2	RJ111-0272	ROD	1		
3	RJ111-0275	PISTON	1		
4	RJ111-0273	ROD COVER	1		
5	RJ111-0274	SPACER	1		
6	S3522503	SET SCREW(HEX SOC)	1		M6x1-L6-ZPC3
7	S6710042	GREASE NIPPLE (A Type)	2		PT 1/8-CD
8	RB250-0125	SPHERICAL BEARING	2		
9	S6283412	DU BUSH	1		
10	RB250-0109	PISTON SEAL	1		
11	S8010451	O-RING	1		G45-1B
12	RB250-0091	ROD SEAL	1		
13	RB250-0102	DUST SEAL	1		
14	S8011051	O-RING	1		G105-1B
15	S8101050	BACKUP RING	1		
16	S8011101	O-RING	1		G110-1B

EOL

Fig. 03.060	MAST SWING CYLINDER
D700	RJ110-0051

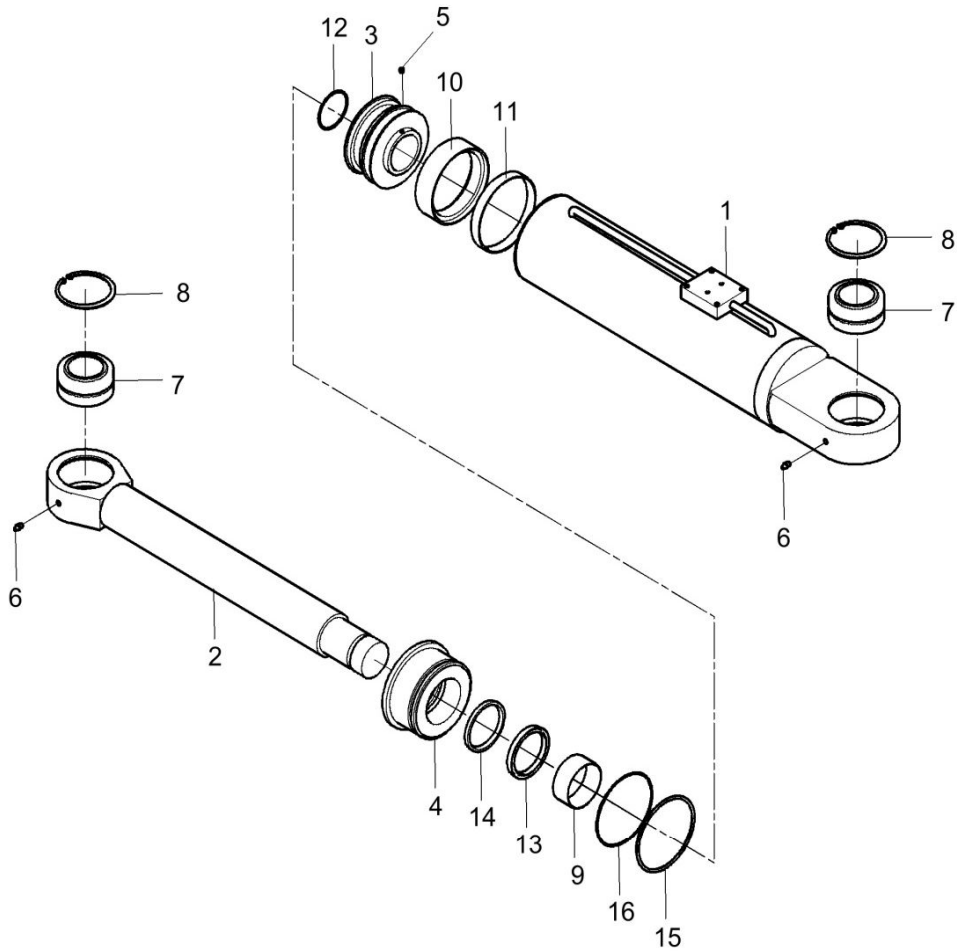


Fig.	03.060	MAST SWING CYLINDER
	D700	RJ110-0051

Item	Part Number	Part Name	Qty	See Fig.	Remarks
1	RJ110-0081	TUBE ASSY	1		
2	RJ110-0082	ROD ASSY	1		
3	RJ110-0078	PISTON	1		
4	RJ110-0075	ROD COVER	1		
5	S3523408	SET SCREW(HEX SOC)	1		M8x1.25-L8-ZPC3
6	S6710042	GREASE NIPPLE (A Type)	2		PT 1/8-CD
7	RB250-0124	SPHERICAL BEARING	2		
8	S6511100	SNAP RING (C Type)	2		D110
9	S6283814	DU BUSH	1		
10	RB250-0113	PISTON SEAL	1		
11	RB250-0120	WEAR RING	1		
12	S8010751	O-RING	1		G75-1B
13	RB250-0088	ROD SEAL	1		
14	RB250-0103	DUST SEAL	1		
15	S8011501	O-RING	1		G150-1B
16	S8101500	BACKUP RING	1		

EOL

Fig.	03.070	MAST DUMP CYLINDER
	D700	RJ106-0048 B

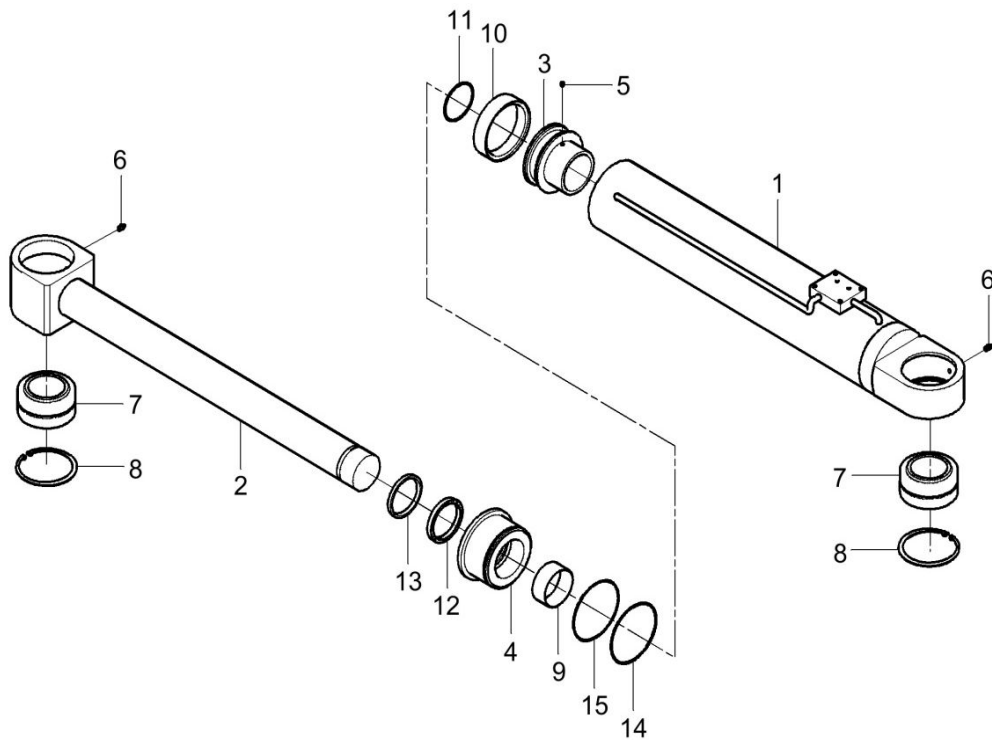
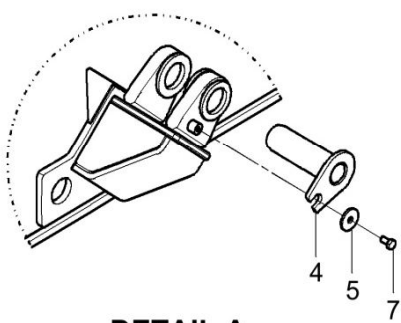
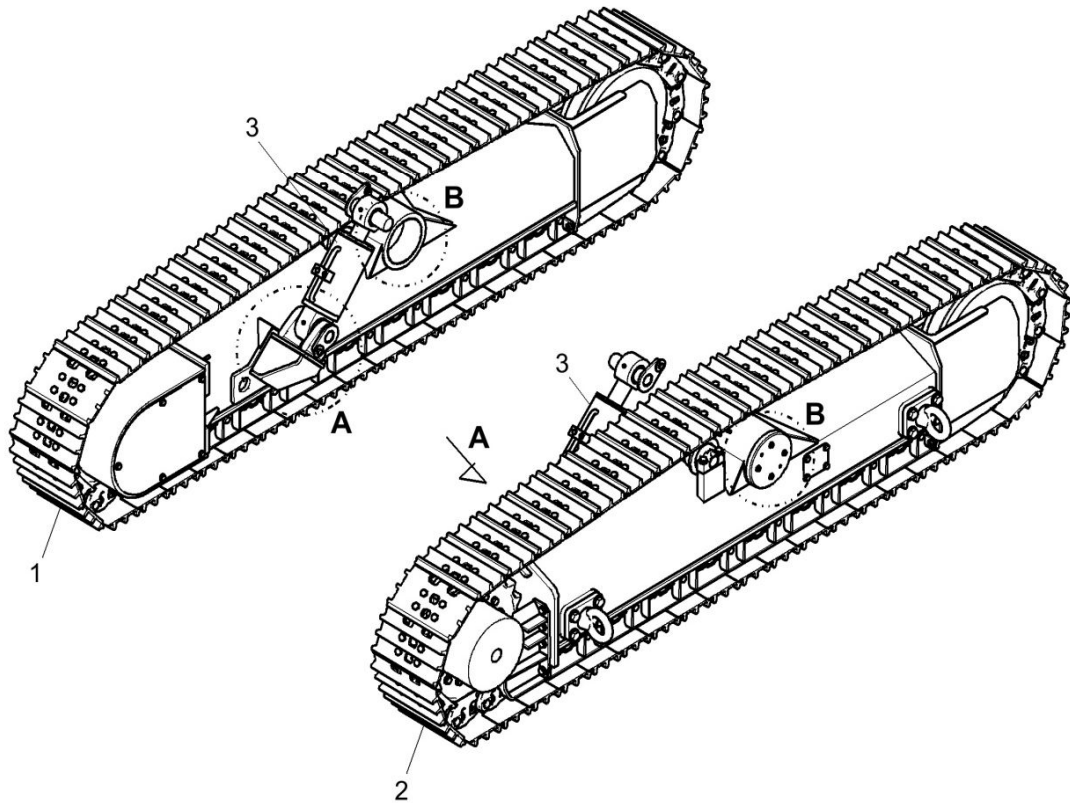


Fig.	03.070	MAST DUMP CYLINDER
	D700	RJ106-0048 B

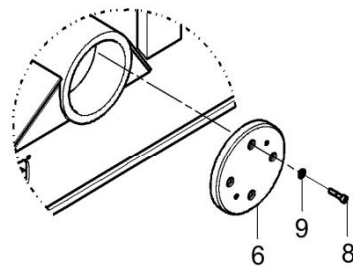
Item	Part Number	Part Name	Qty	See Fig.	Remarks
1	RJ106-0138	TUBE ASSY	1		
2	RJ106-0137	ROD ASSY	1		
3	RJ106-0136	PISTON	1		
4	RJ106-0133	ROD COVER	1		
5	S3523408	SET SCREW(HEX SOC)	1		M8x1.25-L8-ZPC3
6	S6710042	GREASE NIPPLE (A Type)	2		PT 1/8-CD
7	RB250-0126	SPHERICAL BEARING	2		
8	RJ106-0142	SNAP RING (C Type)	2		D110
9	S6283814	DU BUSH	1		
10	RB250-0112	PISTON SEAL	1		
11	S8010901	O-RING	1		G90-1B
12	RB250-0088	ROD SEAL	1		
13	RB250-0103	DUST SEAL	1		
14	S8011451	O-RING	1		G145-1B
15	S8101450	BACKUP RING	1		

EOL

Fig.	04.010	TRACTION ASSY
	D700	RJ101-0001 A



DETAIL A



DETAIL B

Fig.	04.010	TRACTION ASSY
	D700	RJ101-0001 A

Item	Part Number	Part Name	Qty	See Fig.	Remarks
1	RJ101-0002 A	TRACK ASSY-LH	1	04.020	
2	RJ101-0006 A	TRACK ASSY-RH	1	04.030	
3	RJ101-0069	TRACTION CYLINDER	2	04.040	
4	D-18022000	TRACTION PIN	4		
5	D-18022100	PLANE WASHER	4		
6	RJ101-0064	END COVER	2		
7	S0115061	HEX BOLT	4		M12x1.75-L25-FULL-PM
8	S2212563	SOCKET BOLT	8		M10x1.5-L45-ZPC3
9	S5231005	HARDENED WASHER	8		D10-DACRO
EOL					

Fig.

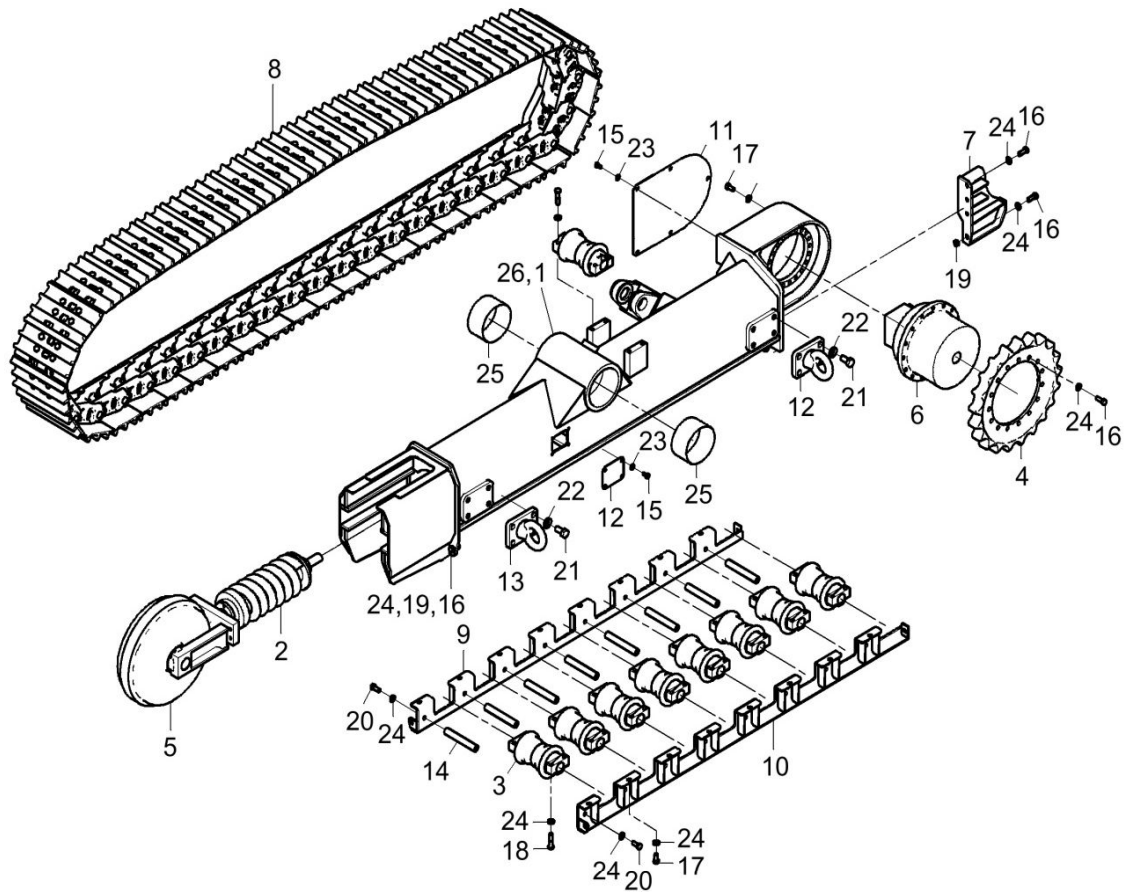
04.020**TRACK ASSY-LH****D700****RJ101-0002 A**

Fig.	04.020	TRACK ASSY-LH
	D700	RJ101-0002 A

Item	Part Number	Part Name	Qty	See Fig.	Remarks
1	RJ101-0003	SIDE FRAME-LH	1		
2	RJ101-0058	RECOIL SPRING ASSY	1		
3	RJ101-0056	LOWER ROLLER	9		
4	RJ101-0057	SPROCKET	1		
5	RJ101-0059	IDLER ASSY	1		
6	RJ150-0010	TRAVEL MOTOR	1		
7	RJ101-0005	SPROCKET GUARD-LH	1		
8	RJ101-0061	SHOE ASSY	1		
9	RJ101-0008	TRACK GUARD-RH	1		
10	RJ101-0004	TRACK GUARD-LH	1		
11	RJ101-0062	COVER	1		
12	D-18021600	COVER	1		
13	D-18021700	LUG	2		
14	D-18021500	ROUND BAR	8		
15	S0115063	HEX BOLT	9		M12x1.75-L25-FULL-ZPC3
16	S0121563	HEX BOLT	22		M16x2-L45-FULL-ZPC3
17	S0121363	HEX BOLT	36		M16x2-L35-FULL-ZPC3
18	S0165663	HEX BOLT	36		M16x2-L70-ZPC3
19	S4012933	HEX NUT	4		M16x2-Sty.2-ZPC3
20	S0121463	HEX BOLT	16		M16x2-L40-FULL-ZPC3
21	S0133663	HEX BOLT	8		M24x3-L50-FULL-ZPC3
22	S5232405	HARDENED WASHER	8		D24-DACRO
23	S5231205	HARDENED WASHER	9		D12-DACRO
24	S5231605	HARDENED WASHER	110		D16-DACRO
25	RJ101-0063	DU BUSH	2		
26	S6710155	GREASE NIPPLE (C Type)	1		PT 1/8-ZPC3

EOL

Fig.	04.030	TRACK ASSY-RH
	D700	RJ101-0006 A

Item	Part Number	Part Name	Qty	See Fig.	Remarks
1	RJ101-0007 A	SIDE FRAME-RH	1		
2	RJ101-0058	RECOIL SPRING ASSY	1		
3	RJ101-0056	LOWER ROLLER	9		
4	RJ101-0057	SPROCKET	1		
5	RJ101-0059	IDLER ASSY	1		
6	RJ150-0010	TRAVEL MOTOR	1		
7	RJ101-0009	SPROCKET GUARD-RH	1		
8	RJ101-0061	SHOE ASSY	1		
9	RJ101-0008	TRACK GUARD-RH	1		
10	RJ101-0004	TRACK GUARD-LH	1		
11	RJ101-0062	COVER	1		
12	D-18021600	COVER	1		
13	D-18021700	LUG	2		
14	D-18021500	ROUND BAR	8		
15	S0115063	HEX BOLT	9		M12x1.75-L25-FULL-ZPC3
16	S0121563	HEX BOLT	22		M16x2-L45-FULL-ZPC3
17	S0121363	HEX BOLT	20		M16x2-L35-FULL-ZPC3
18	S0165663	HEX BOLT	36		M16x2-L70-ZPC3
19	S4012933	HEX NUT	4		M16x2-Sty.2-ZPC3
20	S0121463	HEX BOLT	32		M16x2-L40-FULL-ZPC3
21	S0133663	HEX BOLT	8		M24x3-L50-FULL-ZPC3
22	S5232405	HARDENED WASHER	8		D24-DACRO
23	S5231205	HARDENED WASHER	9		D12-DACRO
24	S5231605	HARDENED WASHER	110		D16-DACRO
25	RJ101-0063	DU BUSH	2		
26	S6710155	GREASE NIPPLE (C Type)	1		PT 1/8-ZPC3

EOL

Fig. 04.040	TRACTION CYLINDER
D700	RJ101-0069

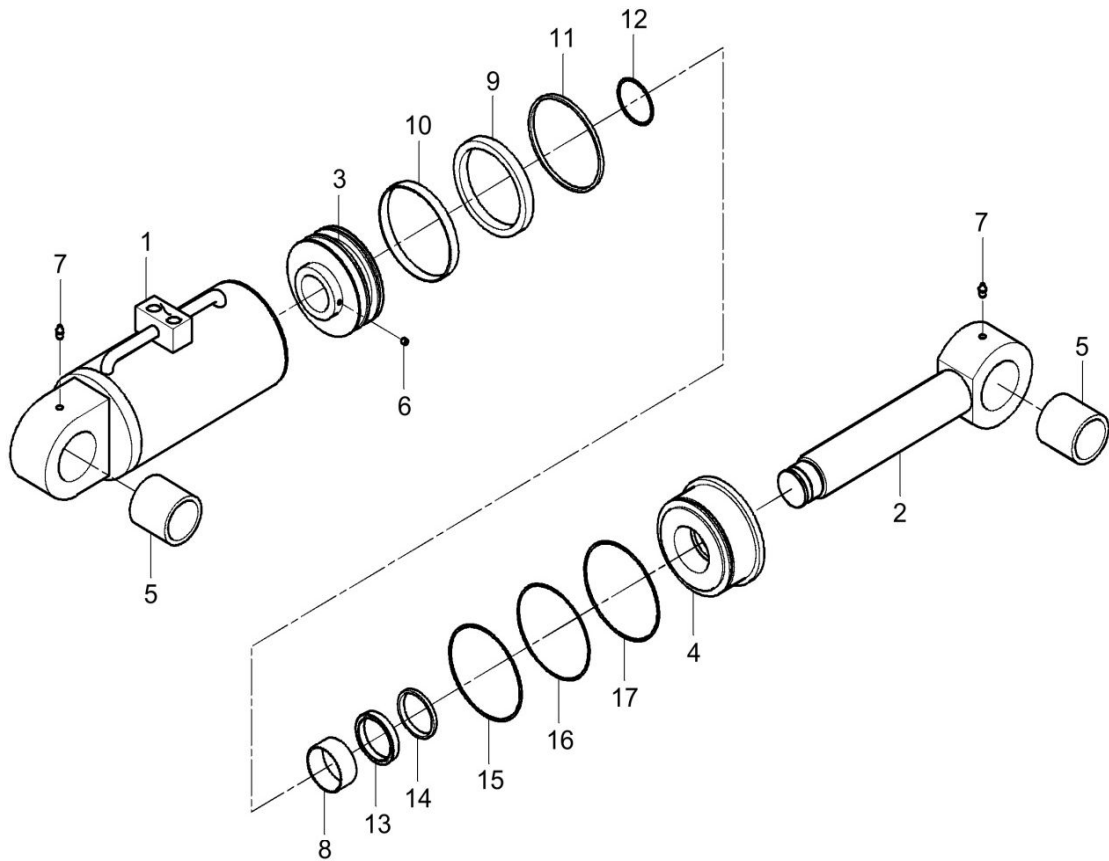


Fig.	04.040	TRACTION CYLINDER
	D700	RJ101-0069

Item	Part Number	Part Name	Qty	See Fig.	Remarks
1	RJ101-0070	TUBE ASSY	1		
2	RJ101-0076	ROD ASSY	1		
3	RJ101-0107	PISTON	1		
4	RJ101-0109	ROD COVER	1		
5	RJ101-0106	BUSH	2		
6	S3523408	SET SCREW(HEX SOC)	1		M8x1.25-L8-ZPC3
7	S6710042	GREASE NIPPLE (A Type)	2		PT 1/8-CD
8	S6283312	DU BUSH	1		
9	RB250-0114	PISTON SEAL	1		
10	RB250-0118	WEAR RING	1		
11	RB250-0115	DUST SEAL	1		
12	S8010651	O RING	1		G65-1B
13	RB250-0090	ROD SEAL	1		
14	RB250-0097	DUST SEAL	1		
15	S8011401	O RING	1		G140-1B
16	S8101400	BACKUP RING	1		
17	S8011451	O RING	1		G145-1B

EOL

Fig. 05.010	BONNET ASSY
D700	RJ104-0001 B

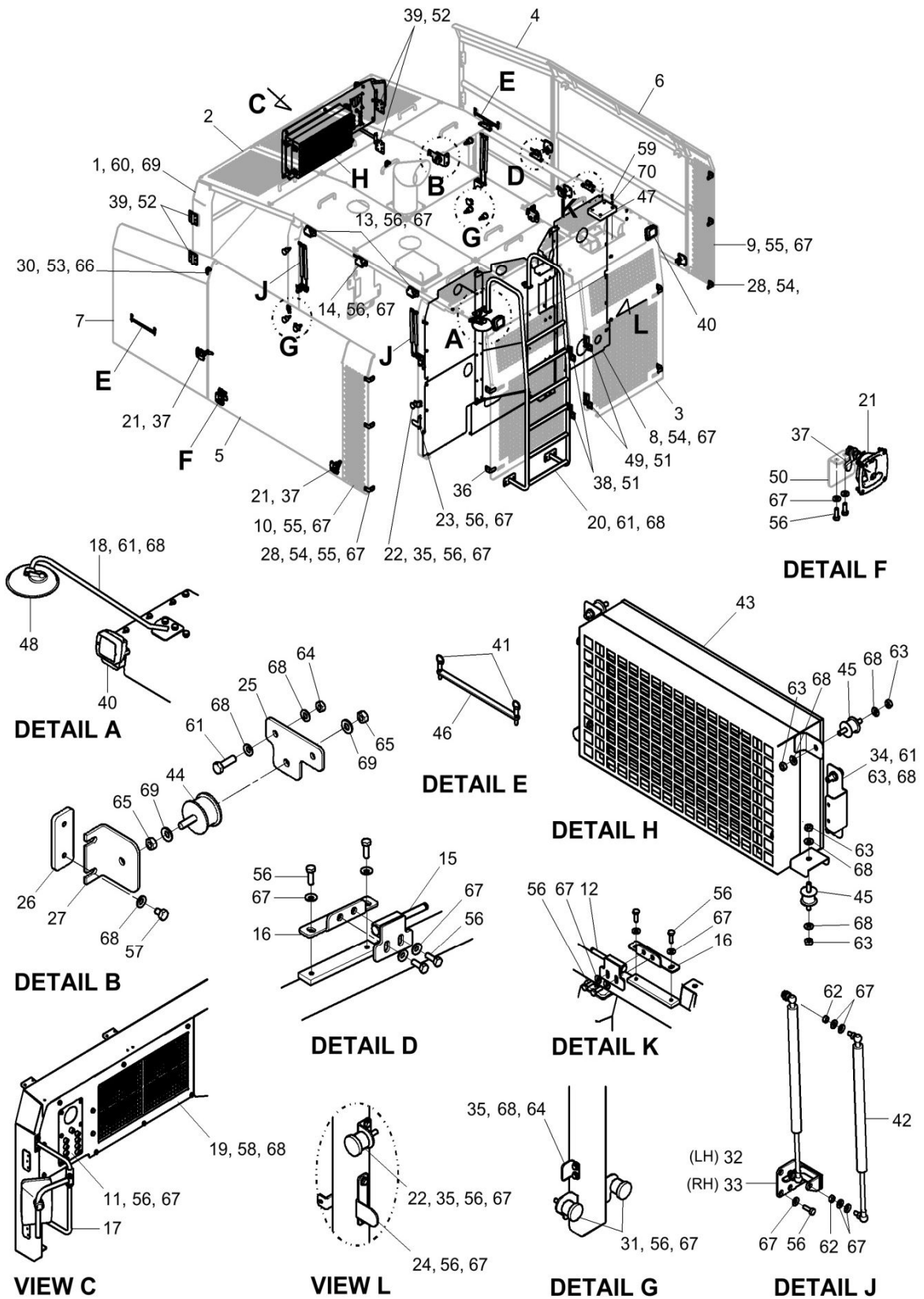


Fig.	05.010	BONNET ASSY
	D700	RJ104-0001 B

Item	Part Number	Part Name	Qty	See Fig.	Remarks
1	RJ104-0002 A	FRAME ASSY	1	05.020	
2	RJ104-0003 B	COVER ASSY	1	05.030	
3	RJ104-0004 A	COVER ASSY	1	05.040	
4	RJ104-0005 A	DOOR ASSY	1		
5	RJ104-0006 B	DOOR ASSY	1		
6	RJ104-0007 A	DOOR ASSY	1		
7	RJ104-0008 A	DOOR ASSY	1		
8	RJ104-0397 A	BAFFLE ASSY	1	05.050	
9	RJ104-0388	COVER	1		
10	RJ104-0387	COVER	1		
11	RJ104-0350	TEST TABLE ASSY	1		
12	RJ104-0157 A	DOOR HINGE	2		
13	RJ104-0178 A	DOOR HINGE	2		
14	RJ104-0181 A	DOOR HINGE	1		
15	RJ104-0182 A	DOOR HINGE	1		
16	RJ104-0183 A	DOOR ANGLE	3		
17	RJ104-0432	SIDE MIRROR	1	05.060	
18	RJ104-0431	MIRROR BRACKET	1		
19	RJ104-0353 A	COVER	1		
20	RJ104-0413	LADDER	1		
21	D-29030300	DOOR CATCH	6		
22	RJ104-0185	PLATE	2		
23	RJ104-0196	PLATE	1		
24	RJ104-0199	PLATE	1		
25	RJ104-0424	PLATE	2		
26	RJ104-0425	PLATE	2		
27	RJ104-0423	PLATE	2		
28	RJ104-0422	PLATE	6		
30	RJ104-0421	PLATE	2		
31	RJ104-0164	PLATE	2		
32	RJ104-0312	BRACKET	2		
33	RJ104-0311	BRACKET	2		
34	RJ104-0349	BRACKET	1		
35	D-26012900	STOPPER	8		
36	RJ104-0345	STOPPER	4		
37	D-29030301 A	PAWL	6		
38	RA400-0175	HINGE ASSY	2		
39	RA400-0071	HINGE	4		
40	D-37000001	LAMP	2		24V 55W
41	RQ103-0236	PIN-BALL LOCK	4		

Fig. 05.010	BONNET ASSY
D700	RJ104-0001 B

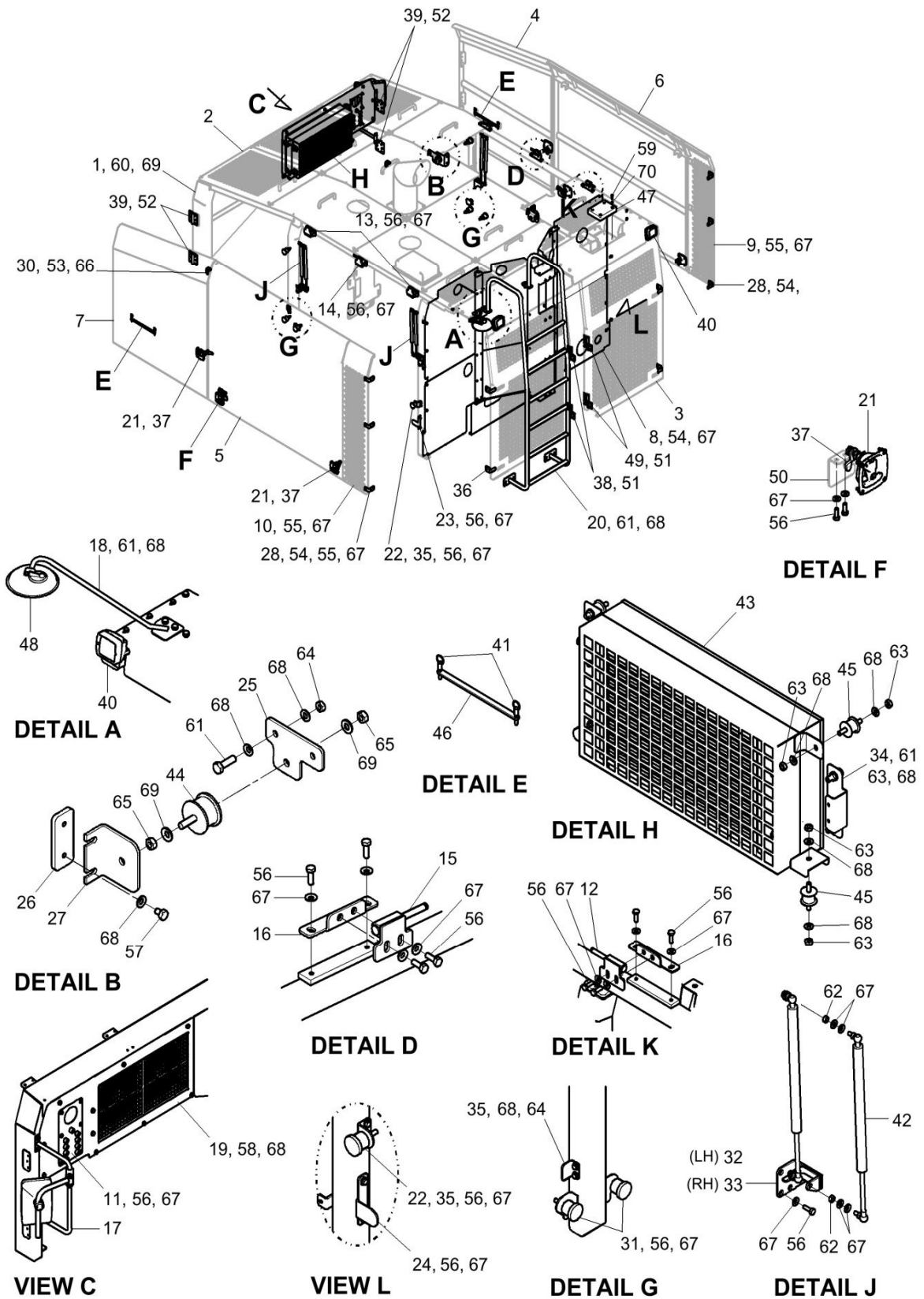


Fig.	05.010	BONNET ASSY
	D700	RJ104-0001 B

Item	Part Number	Part Name	Qty	See Fig.	Remarks
42	RA400-0165	GAS SPRING	8		
43	RJ120-0002	CONDENSER	1		
44	RB522-0001	RUBBER ISOLATOR	2		
45	RJ121-0028	MOUNT RUBBER	4		
46	RJ104-0370 A	LINK	2		
47	RJ104-0160 A	PAD	1		
48	D-59021200	MIRROR, BACK	1		
49	RA400-0176	HINGE ASSY	2		
50	RJ104-0453	PLATE	2		
51	S3452828	SCREW	40		M5x0.8-L10-ZPC3
52	S3093600	BONNET ASSY	24		
53	S0104633	HEX BOLT	4		M6x1-L16-FULL-ZPC3
54	S0108643	HEX BOLT	21		
55	S2308990	SOCKET BOLT	12		M8x1.25-L22-FULL
56	S0109063	HEX BOLT	55		M8x1.25-L25-FULL-ZPC3
57	S0111663	HEX BOLT	4		M10x1.5-L16-FULL-ZPC3
58	S0111861	HEX BOLT	8		M10x1.5-L20-FULL-PM
59	S2212363	SOCKET BOLT	4		M10x1.5-L35-ZPC3
60	S0115363	HEX BOLT	8		M12x1.75-L35-FULL-ZPC3
61	S0115463	HEX BOLT	10		
62	S4012533	HEX NUT	12		M8x1.25-Sty.2-ZPC3
63	S4012643	HEX NUT	10		M10x1.5-Sty.2-ZPC3
64	S4012633	HEX NUT	12		M10x1.5-Sty.2-ZPC3
65	S4012743	HEX NUT	4		M12x1.75-Sty.2-ZPC3
66	S5000313	PLAIN WASHER	4		D6-ZPC3
67	S5230803	HARDENED WASHER	119		D8-Fe/Zn8/HB
68	S5231003	HARDENED WASHER	45		D10-Fe/Zn8/HB
69	S5231203	HARDENED WASHER	12		D12-Fe/Zn8/HB
70	S5100613	SPRING WASHER	4		D10-ZPC3

EOL

Fig.	05.020	FRAME ASSY
	D700	RJ104-0002 B

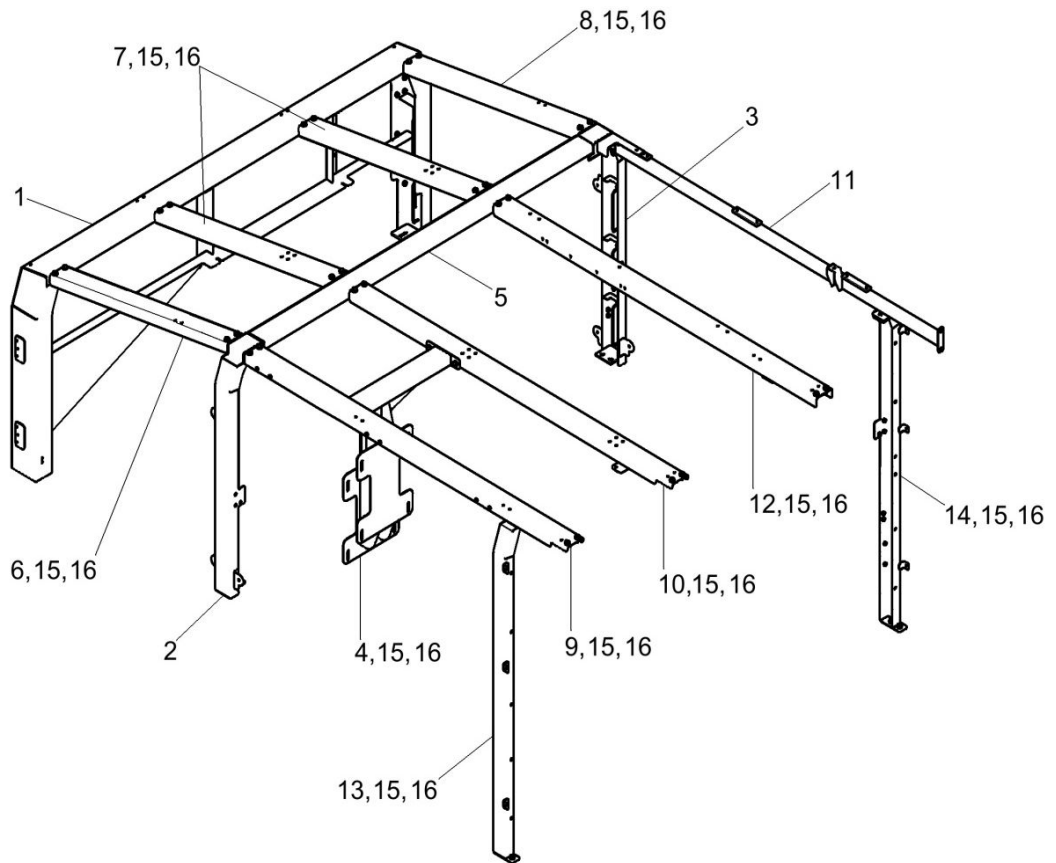


Fig.	05.020	FRAME ASSY
	D700	RJ104-0002 B

Item	Part Number	Part Name	Qty	See Fig.	Remarks
1	RJ104-0009 B	FRONT FRAME	1		
2	RJ104-0010 B	FRAME	1		
3	RJ104-0011 B	FRAME	1		
4	RJ104-0012 A	BRACKET	1		
5	RJ104-0013 A	PLATE ASSY	1		
6	RJ104-0043 A	FRAME	1		
7	RJ104-0044 A	FRAME	2		
8	RJ104-0045 A	FRAME	1		
9	RJ104-0069 A	FRAME	1		
10	RJ104-0070 A	PLATE	1		
11	RJ104-0100 A	FRAME	1		
12	RJ104-0131 A	FRAME	1		
13	RJ104-0374	FRAME ASSY	1		
14	RJ104-0375	FRAME ASSY	1		
15	S0112063	HEX BOLT	40		M10x1.5-L25-FULL-ZPC3
16	S5231003	HARDENED WASHER	40		D10-Fe/Zn8/HB

EOL

Fig.	05.030	COVER ASSY
	D700	RJ104-0003 C

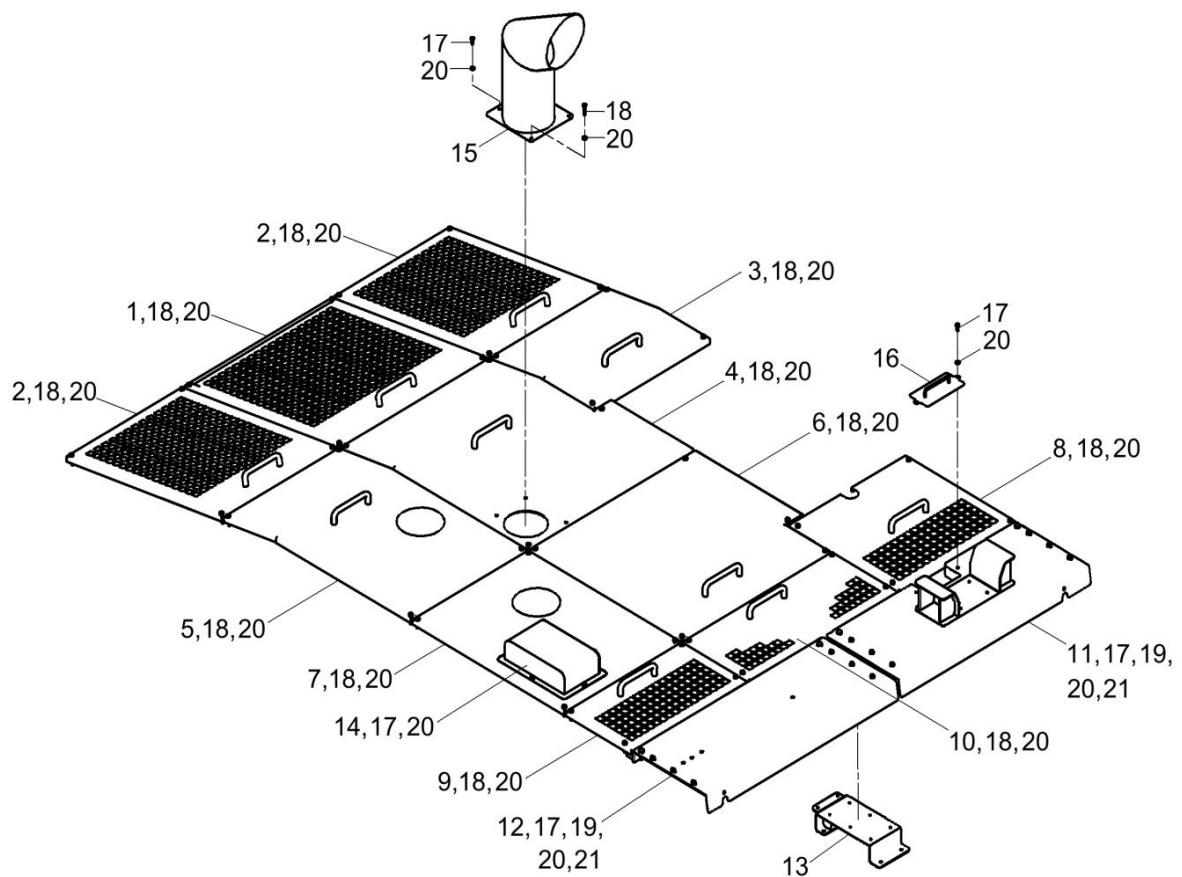


Fig.	05.030	COVER ASSY
	D700	RJ104-0003 C

Item	Part Number	Part Name	Qty	See Fig.	Remarks
1	RJ104-0031	COVER	1		
2	RJ104-0032	COVER	2		
3	RJ104-0033 A	COVER	1		
4	RJ104-0034 A	COVER	1		
5	RJ104-0035 B	COVER	1		
6	RJ104-0036 B	COVER	1		
7	RJ104-0037 B	COVER	1		
8	RJ104-0038 B	COVER	1		
9	RJ104-0039	COVER	1		
10	RJ104-0040 A	COVER	1		
11	RJ104-0143 C	COVER ASSY	1		
12	RJ104-0144 B	COVER ASSY	1		
13	RJ104-0145 A	COVER ASSY	1		
14	RJ104-0204 A	COVER	1		
15	RJ104-0200 B	MUFFLER TAIL PIPE	1		
16	RJ104-0368	COVER	1		
17	S0109063	HEX BOLT	21		M8x1.25-L25-FULL-ZPC3
18	S0109563	HEX BOLT	45		M8x1.25-L45-FULL-ZPC3
19	S0112463	HEX BOLT	4		M10x1.5-L40-FULL-ZPC3
20	S5230803	HARDENED WASHER	67		D8-Fe/Zn8/HB
21	S5231003	HARDENED WASHER	4		D10-Fe/Zn8/HB

EOL

Fig. 05.040	COVER ASSY
D700	RJ104-0004 A

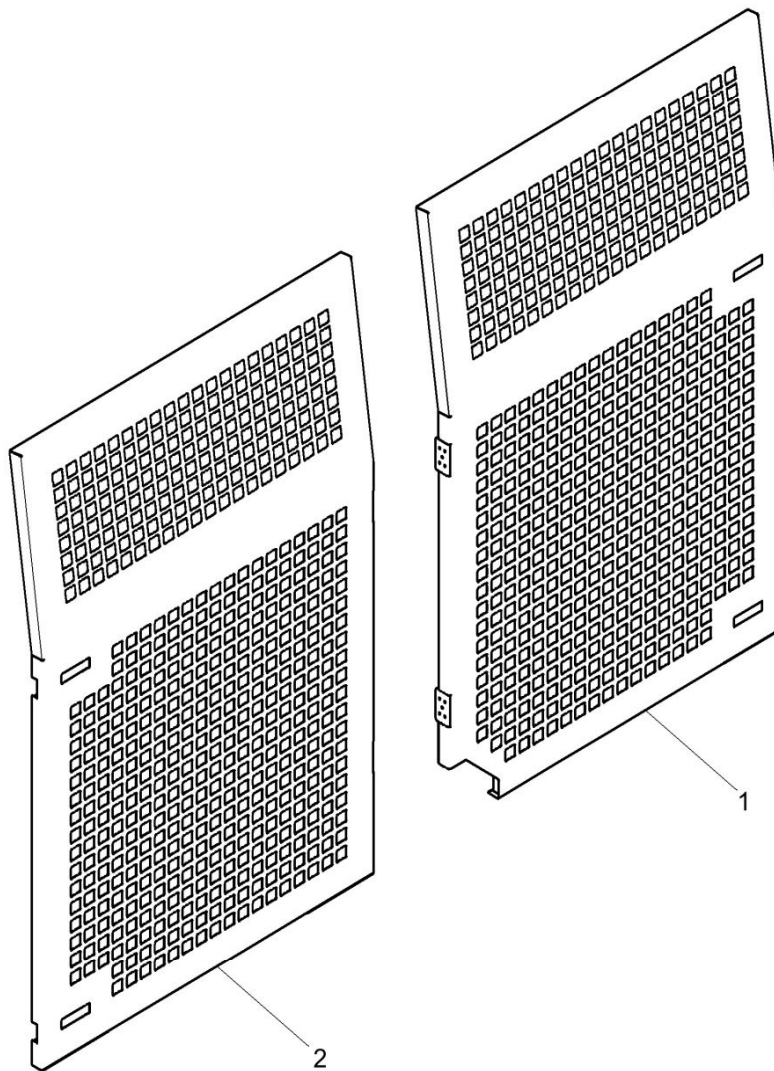


Fig.	05.040	COVER ASSY
	D700	RJ104-0004 A

Item	Part Number	Part Name	Qty	See Fig.	Remarks
1	RJ104-0373	REAR COVER	1		
2	RJ104-0090 A	REAR COVER	1		
EOL					

Fig. 05.050	BAFFLE ASSY
D700	RJ104-0397 B

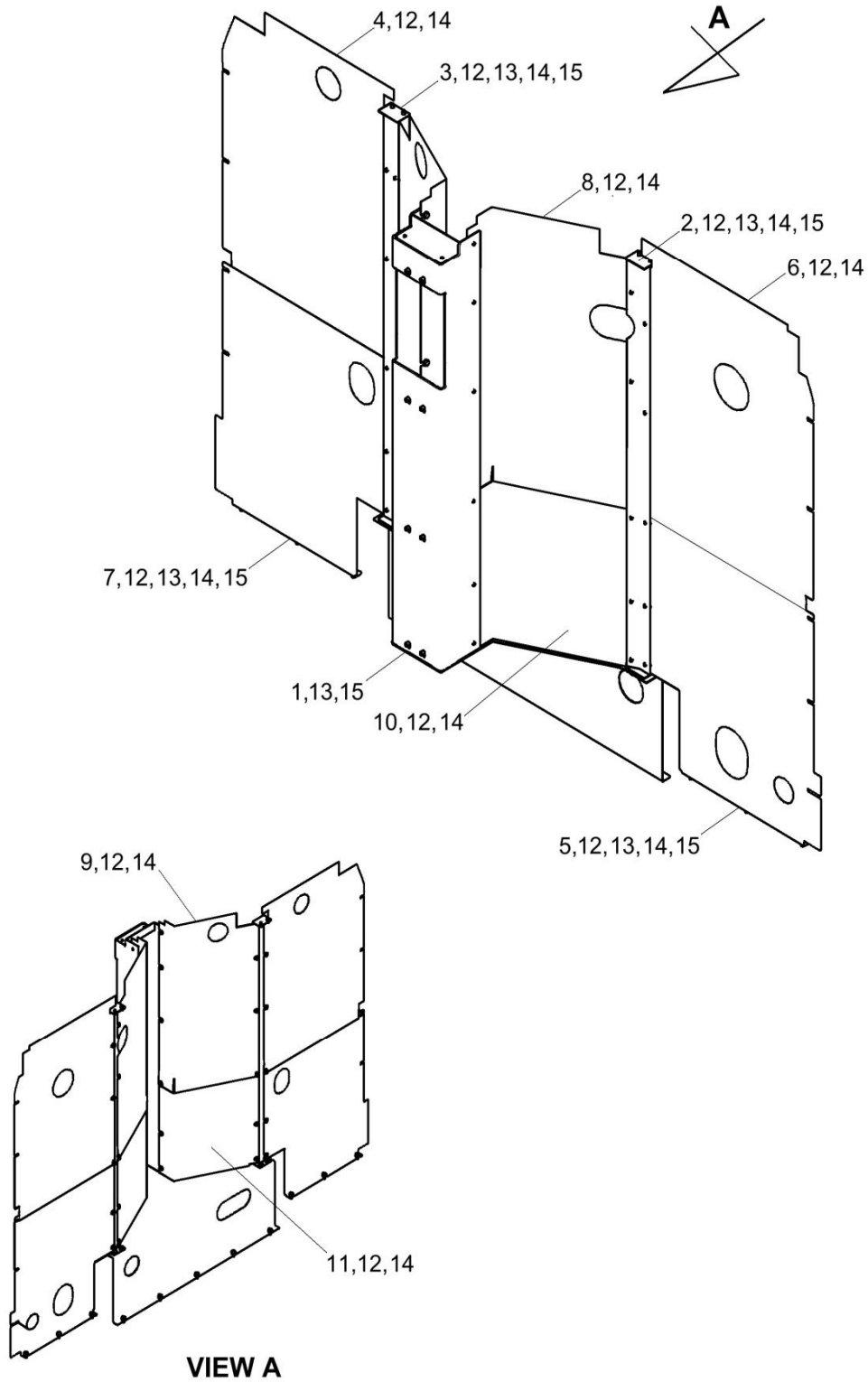


Fig.	05.050	BAFFLE ASSY
	D700	RJ104-0397 B

Item	Part Number	Part Name	Qty	See Fig.	Remarks
1	RJ104-0412	FRAME	1		
2	RJ104-0407	FRAME	1		
3	RJ104-0408	FRAME	1		
4	RJ104-0400	PLATE	1		
5	RJ104-0399	PLATE	1		
6	RJ104-0398	PLATE	1		
7	RJ104-0401 A	PLATE	1		
8	RJ104-0402	PLATE	1		
9	RJ104-0405	PLATE	1		
10	RJ104-0404	PLATE	1		
11	RJ104-0406	PLATE	1		
12	S0108643	HEX BOLT	36		
13	S0111861	HEX BOLT	23		M10x1.5-L20-FULL-PM
14	S5230803	HARDENED WASHER	36		D8-Fe/Zn8/HB
15	S5231003	HARDENED WASHER	23		D10-Fe/Zn8/HB

EOL

Fig.	05.060	SIDE MIRROR
	D700	RJ104-0432

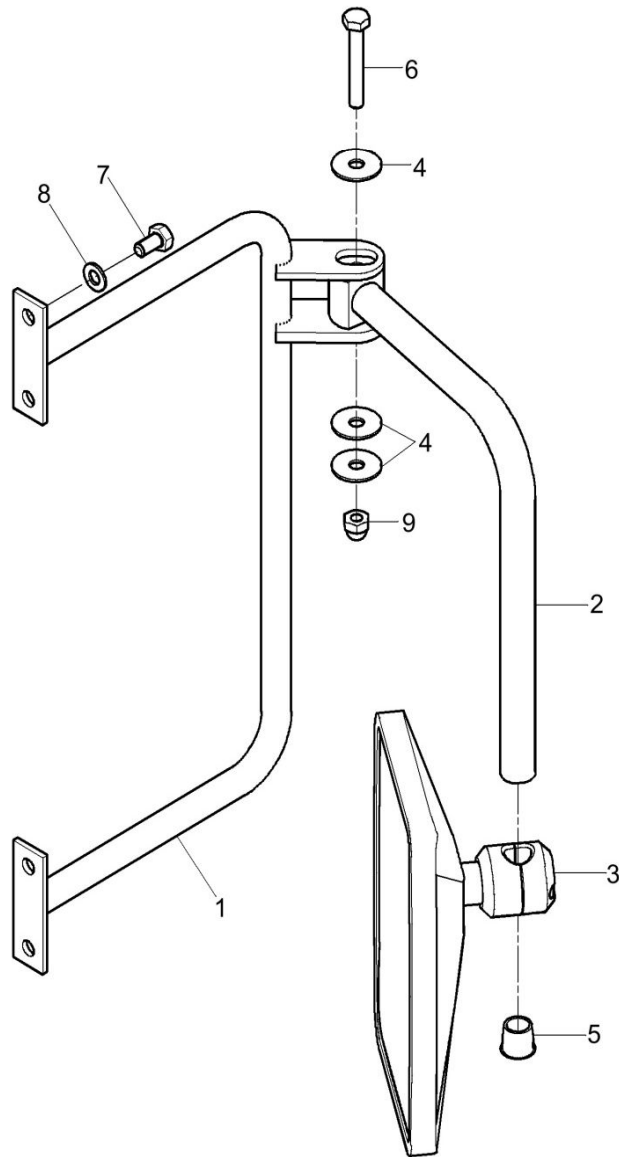


Fig.	05.060	SIDE MIRROR
	D700	RJ104-0432

Item	Part Number	Part Name	Qty	See Fig.	Remarks
1	RJ104-0355	HANDLE W.A(IN)	1		
2	D-18110170	STAY BACK MIRROR	1		
3	D-18110425	BACK MIRROR	1		
4	D-18110171	WASHER	3		
5	D-18110172	CAP	1		
6	S0113063	HEX BOLT	1		M10x1.5-L70-FULL-ZPC3
7	S0111863	HEX BOLT	4		M10x1.5-L20-FULL-ZPC3
8	S5010613	PLAIN WASHER	4		D10-ZPC3
9	S4400633	HEX CAP NUT	1		M10x1.5-Sty.1-ZPC3
EOL					

Fig. 06.010	CABIN INSTALL
D700	RJ105-0126 A

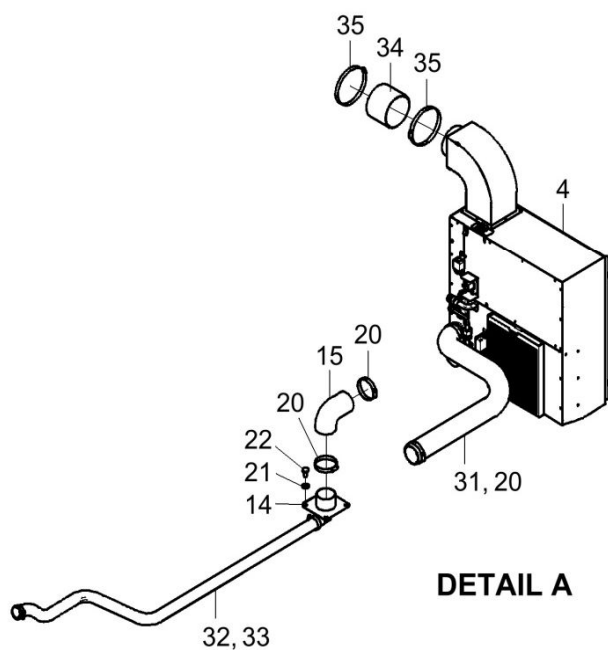
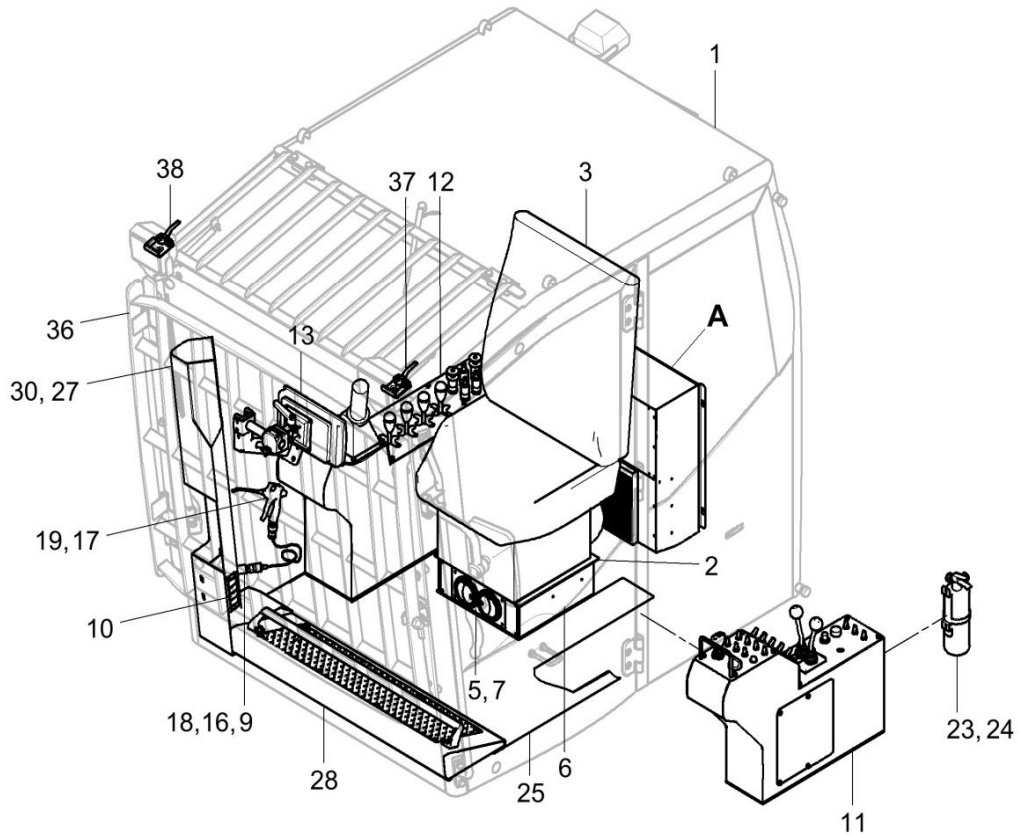
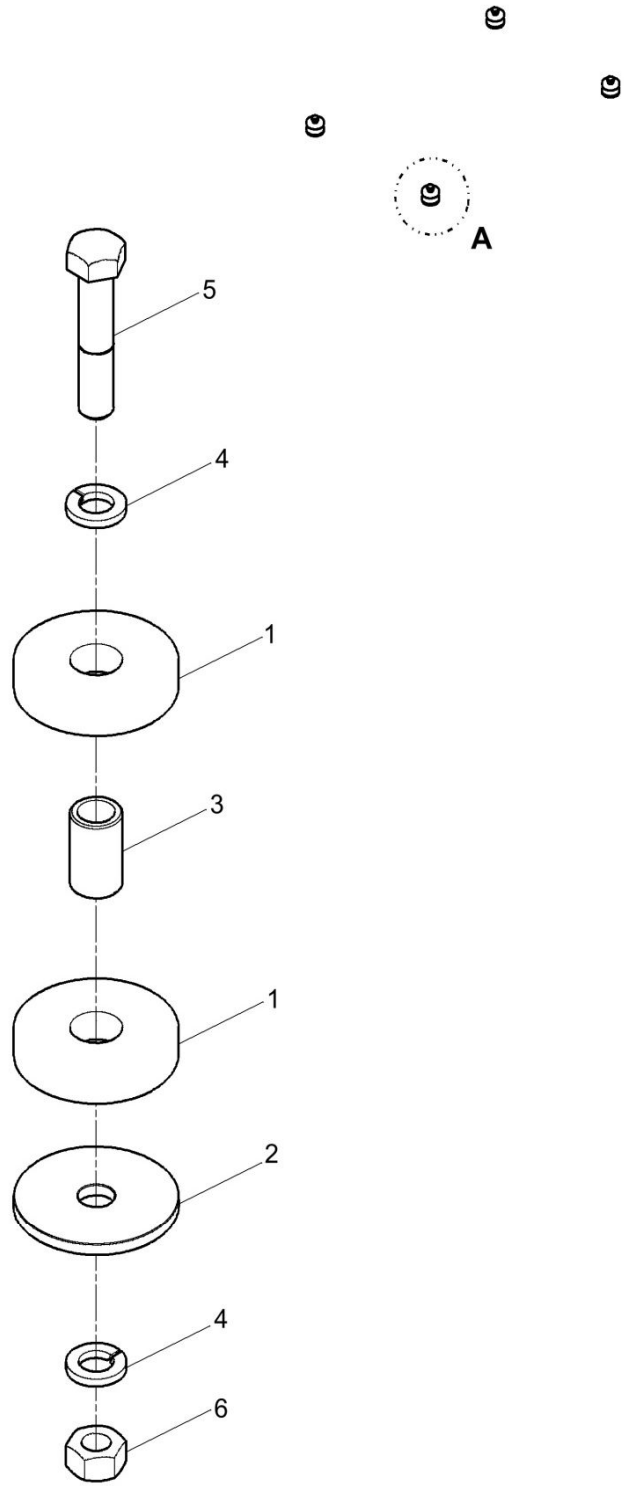


Fig.	06.010	CABIN INSTALL
	D700	RJ105-0126 A

Item	Part Number	Part Name	Qty	See Fig.	Remarks
1	RJ105-0005 A	CABIN ASSY	1	06.030	
2	D-17110600 B	SEAT MTG	1		
3	D-25000300	SEAT W1000	1		
4	D-29006008 B	HVAC UNIT ASSY	1		
5	D-17111400	DUCT NO.1	1		
6	D-17113600	DUST COVER	1		
7	D-18110426	AIR NOZZLE	2		
9	RB205-0103	COVER PANEL	1		
10	RA400-0106	AIR VENT	1		
11	RJ105-0141 A	CONTROL BOX ASSY	1		
12	RJ105-0136 A	CONTROL BOX ASSY	1		
13	RJ105-0170 A	MONITOR CONTROL BOX	1		
14	RB205-0099	PIPE	1		
15	RA400-0107	PIPE	1		
16	RA450-0001	QUICK COUPLER	1		
17	RA450-0002	AIR GUN	1		
18	RA450-0007	HOSE	1		
19	RA450-0004	QUICK COUPLER	1		
20	S8450053	HOSE CLAMP	4		D53
21	S5231003	HARDENED WASHER	4		D10-Fe/Zn8/HB
22	S0111861	HEX BOLT	4		M10x1.5-L20-FULL-PM
23	D-29006143	BRACKET	1		
24	D-29006142	FIRE EXTINGUISHER	1		
25	RJ105-0174 A	MAT	1		
27	RJ105-0185	FRONT PLATFORM	1		
28	RJ105-0205	FOOT BRACKET	1		
30	RJ105-0189	PLATE	1		
31	RA400-0193	HOSE	1		
32	RA400-0194	HOSE	1		
33	S8450023	HOSE CLAMP	2		D23
34	D-18160001	HOSE	1		
35	S8450105	HOSE CLAMP	2		D105
36	RJ105-0200	GUARD ASSY	1	06.070	
37	RJ105-0216	PLATE ASSY	1	06.050	
38	RJ105-0220	PLATE ASSY	1	06.060	

EOL

Fig. 06.020	CABIN MOUNTING
D700	D-25005800 A



DETAIL A

Fig.	06.020	CABIN MOUNTING
	D700	D-25005800 A

Item	Part Number	Part Name	Qty	See Fig.	Remarks
1	D-25005801 A	RUBBER MOUNTE	8		
2	D-25005802 A	WASHER	4		
3	D-25005803 A	BOSS	4		
4	S5101003	SPRING WASHER	8		D18-ZPC3
5	S0168363	HEX BOLT	4		M18x2.5-L90-ZPC3
6	S4013043	HEX NUT	4		M18x2.5-Sty.2-ZPC3

EOL

Fig.

06.030

CABIN ASSY

D700

RJ105-0005 A

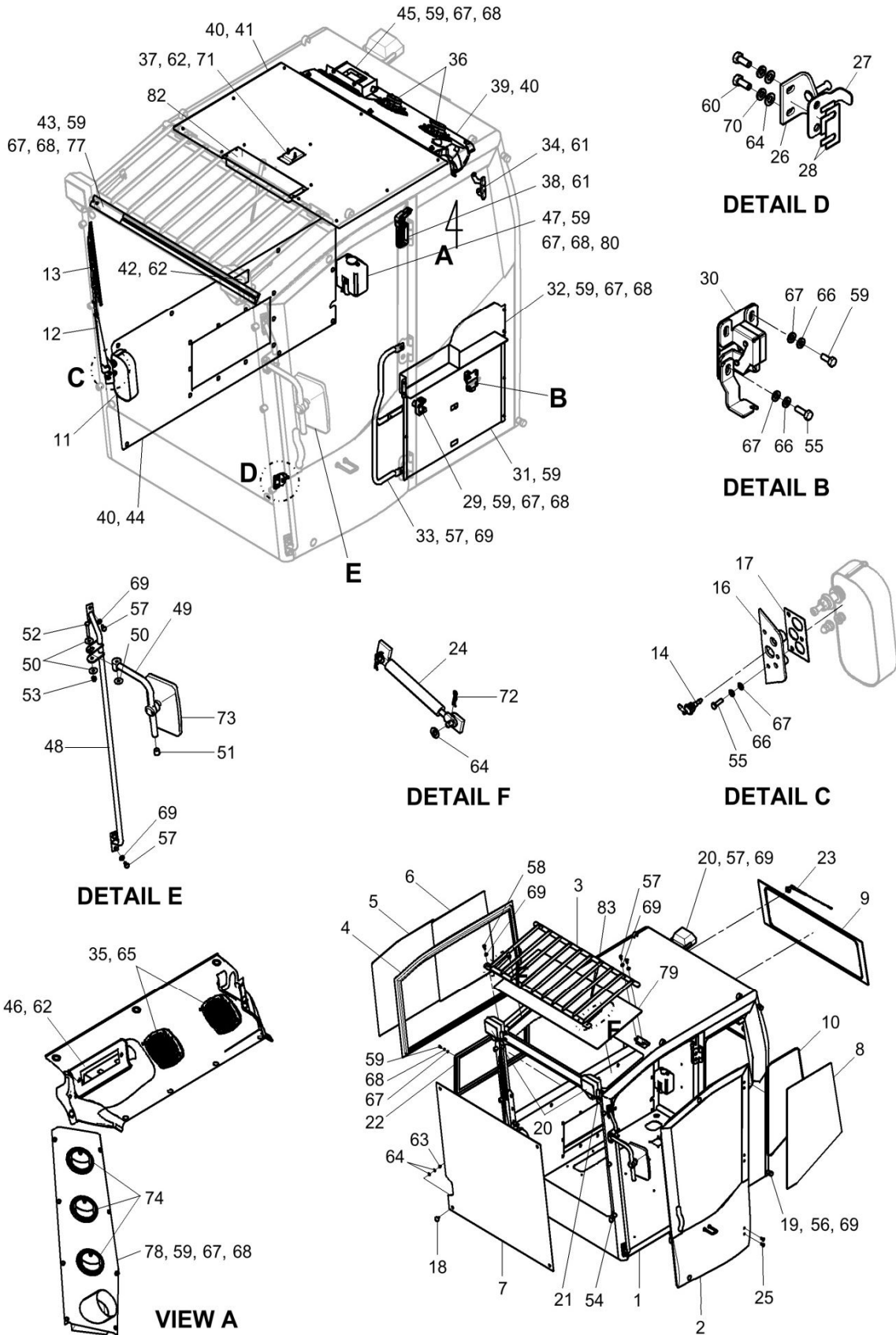


Fig.	06.030	CABIN ASSY
	D700	RJ105-0005 A

Item	Part Number	Part Name	Qty	See Fig.	Remarks
1	RJ105-0006	CABIN WELD ASSY	1		
2	D-18110102 A	OPEN DOOR ASSY-LH	1	06.040	
3	RJ105-0090	ROOF GUARD	1		
4	D-18110103	CHASSIS(RH)	1		
5	D-18110104	GLASS, FRONT(RH)	1		
6	D-18110105	GLASS, REAR(RH)	1		
7	RJ105-0092	GLASS, FRONT	1		
8	RJ105-0099	GLASS, REAR(LH)	1		
9	RJ105-0100	GLASS, REAR	1		
10	D-18110110	DAMPER	1		
11	D-18110111	MOTOR, WIPER	1		
12	D-18110112	WIPER ARM ASSY	1		
13	D-18110113	BLADE, WIPER	1		
14	D-18110114	VALVE, WIPER	1		
15	D-18110115	HOSE	2		
16	D-18110116	BRACKET,WIPER	1		
17	D-18110117	PAD RUBBER, WIPER	1		
18	D-18110119	STOPPER, GLASS	4		
19	D-18110120	STOPPER, RUBBER	2		
20	D-37010200	WORKING LIGHT	3		24V,55W
21	D-18110126	GROMMET	3		
22	RJ105-0110 A	COVER(RH), OUT	1		
23	D-18110129	ANTENA	1		
24	D-18110130	GAS SPRING	2		
25	D-18110133	BOLT,FLAT HEAD(SOCKET)	6		M10-L20
26	D-18110134	STRIKER W.A	1		
27	D-18110135	STRIKER, PLATE	1		
28	D-18110136	STRIKER, SHIM	2		
29	D-18110137	BACK CATCH ASSY-FRONT	1		
30	D-18110138	BACK CATCH ASSY-REAR	1		
31	RJ105-0094	COVER(LH), IN	1		
32	RJ105-0102	COVER W.A	1		
33	D-18110145	HANDLE	1		
34	D-18110146	HOOK	1		
35	D-18110147	COVER, SPEAKER	2		
36	D-18110148	SPEAKER	2		
37	D-18110149	LAMP, ROOM	1		
38	D-18110150	HAMMER	1		
39	D-18110151	COVER, REAR	1		
40	D-18110152	SCRIVET	41		

Fig.

06.030

CABIN ASSY

D700

RJ105-0005 A

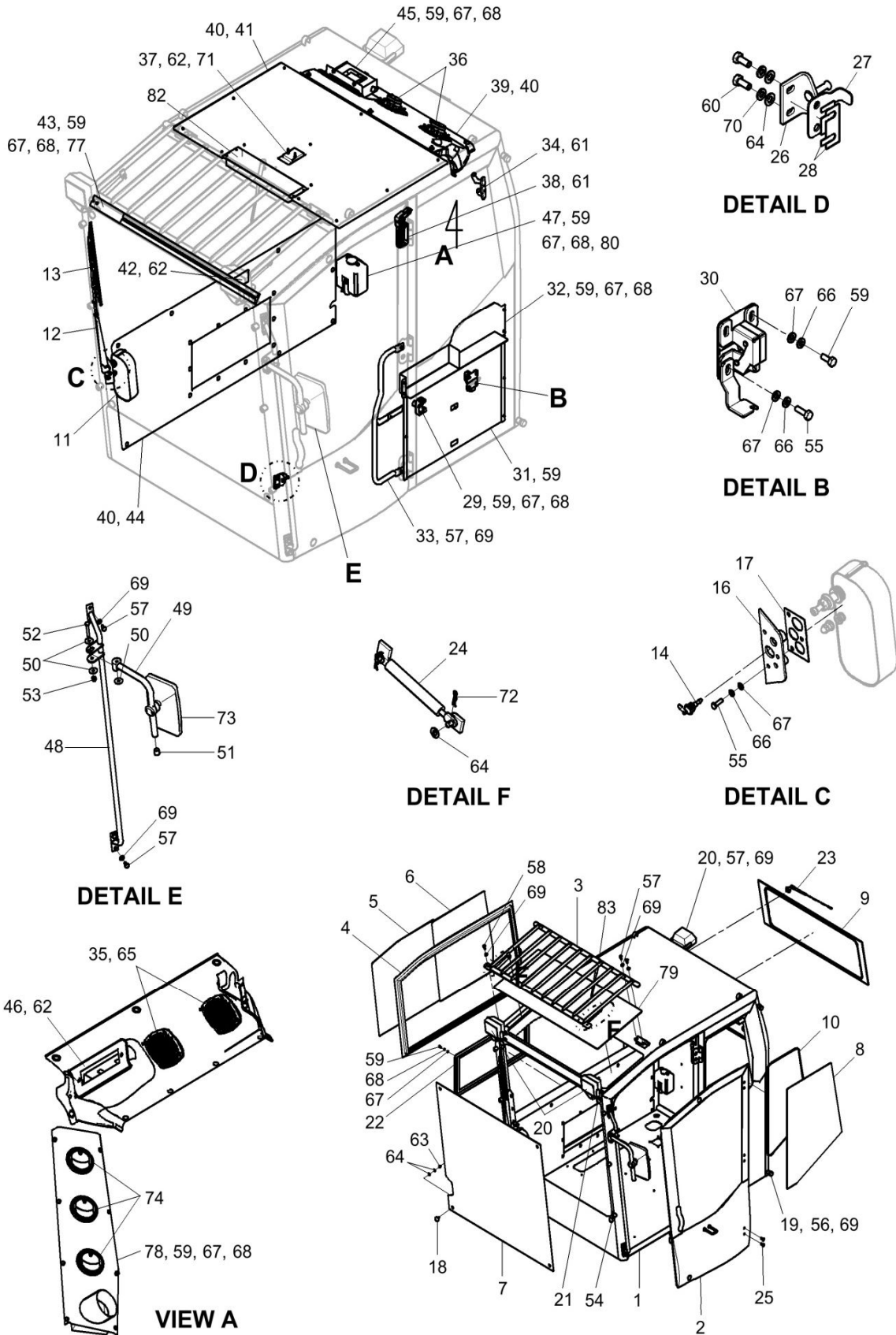


Fig.	06.030	CABIN ASSY
	D700	RJ105-0005 A

Item	Part Number	Part Name	Qty	See Fig.	Remarks
41	RJ105-0097	COVER, ROOF	1		
42	D-18110154	ASHTRAY	1		
43	RJ105-0098	COVER, HARNESS	1		
44	RJ105-0104	PAD(RH)	1		
45	D-18110157	RADIO BOX W.A	1		
46	D-18110163	COVER CASSETTE	1		
47	D-18110164	BRACKET, WASHER	1		
48	D-18110165 A	HANDLE W.A(IN)	1		
49	D-18110170	STAY BACK MIRROR	1		
50	D-18110171	WASHER	3		
51	D-18110172	CAP	1		
52	S0113063	HEX BOLT	1		M10x1.5-L70-FULL-ZPC3
53	S4400633	HEX CAP NUT	1		M10x1.5-Sty.1-ZPC3
54	D-18110188	CAP	6		
55	S0104823	HEX BOLT	4		M6x1-L20-FULL-ZPC3
56	S4012643	HEX NUT	2		M10x1.5-Sty.2-ZPC3
57	S0111863	HEX BOLT	13		M10x1.5-L20-FULL-ZPC3
58	S0112063	HEX BOLT	2		M10x1.5-L25-FULL-ZPC3
59	S0104623	HEX BOLT	47		M6x1-L16-FULL-ZPC3
60	S0108863	HEX BOLT	2		M8x1.25-L20-FULL-ZPC3
61	S345260A	SCREW	4		M4x0.7-L16
62	S345085A	SCREW	6		M5x0.8-L16
63	S4400533	HEX CAP NUT	4		M8x1.25-Sty.1-ZPC3
64	S5010513	PLAIN WASHER	14		D8-ZPC3
65	S345087A	SCREW	8		M5x0.8-L25
66	S5102313	SPRING WASHER	7		D6-ZPC3
67	S5010313	PLAIN WASHER	51		D6-ZPC3
68	S5100313	SPRING WASHER	44		D6-ZPC3
69	S5010613	PLAIN WASHER	17		D10-ZPC3
70	S5100513	SPRING WASHER	2		D8-ZPC3
71	S5020203	PLAIN WASHER	6		D50-ZPC3
72	S5770081	SNAP PIN	4		D8-L27.7-ZPC3
73	D-18110425	BACK MIRROR	1		
74	D-18110426	AIR NOZZLE	3		
75	D-18110427	HARNESS	1		
76	D-18110428	RADIO	1		
77	D-18110429	SPONGE	3		
78	D-18110460	AIRCON COVER	1		
79	RJ105-0091	GLASS, ROOF	1		
80	D-18110470	WASHER TANK	1		

Fig.

06.030

CABIN ASSY

D700

RJ105-0005 A

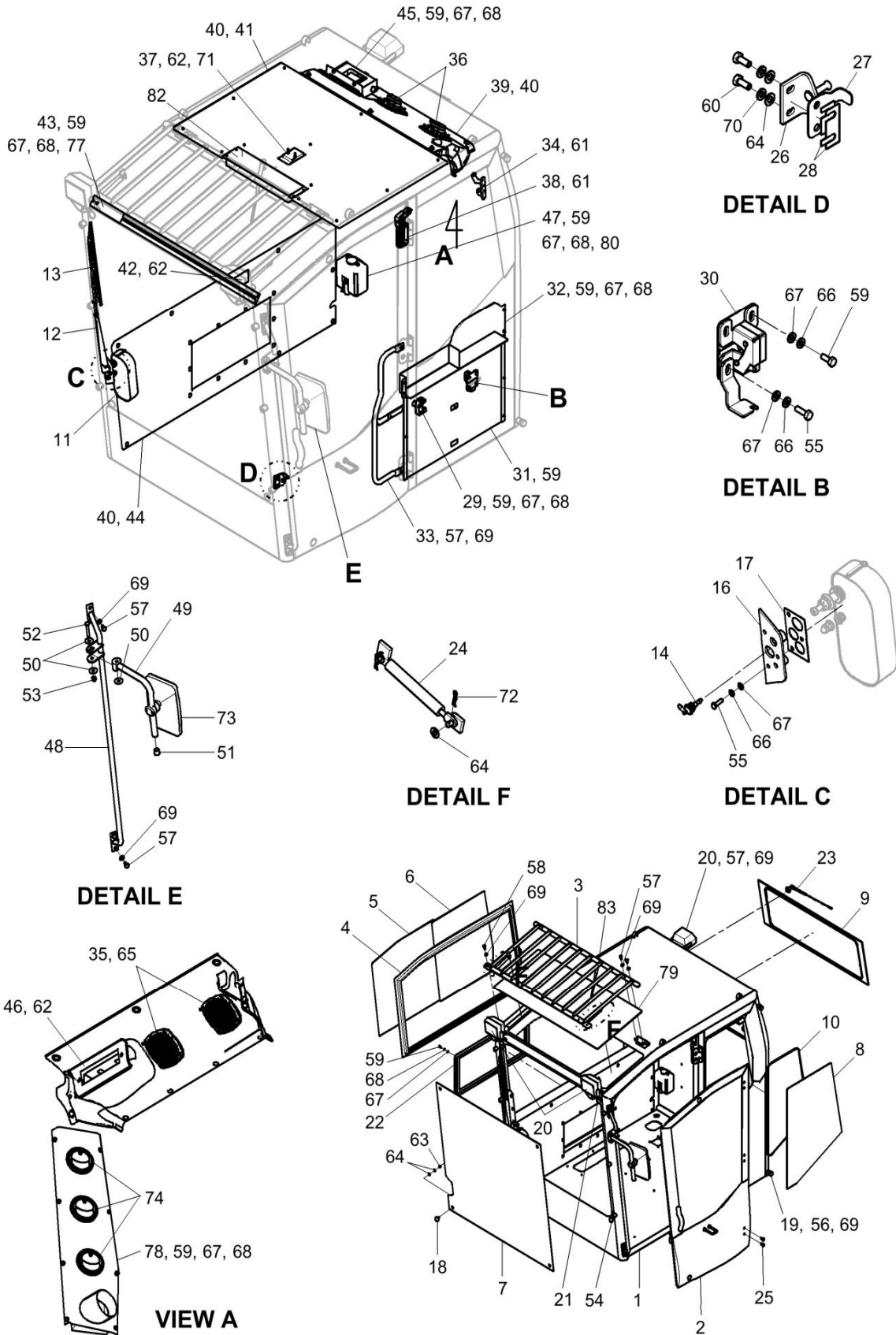


Fig.	06.030	CABIN ASSY
	D700	RJ105-0005 A

Item	Part Number	Part Name	Qty	See Fig.	Remarks
81	RJ105-0215	WIPER MOTOR	1		
82	RJ105-0001	COVER	1		
83	RJ105-0002	WIPER ARM ASSY	1		
EOL					

Fig. 06.040	OPEN DOOR ASSY-LH
D700	D-18110102 A

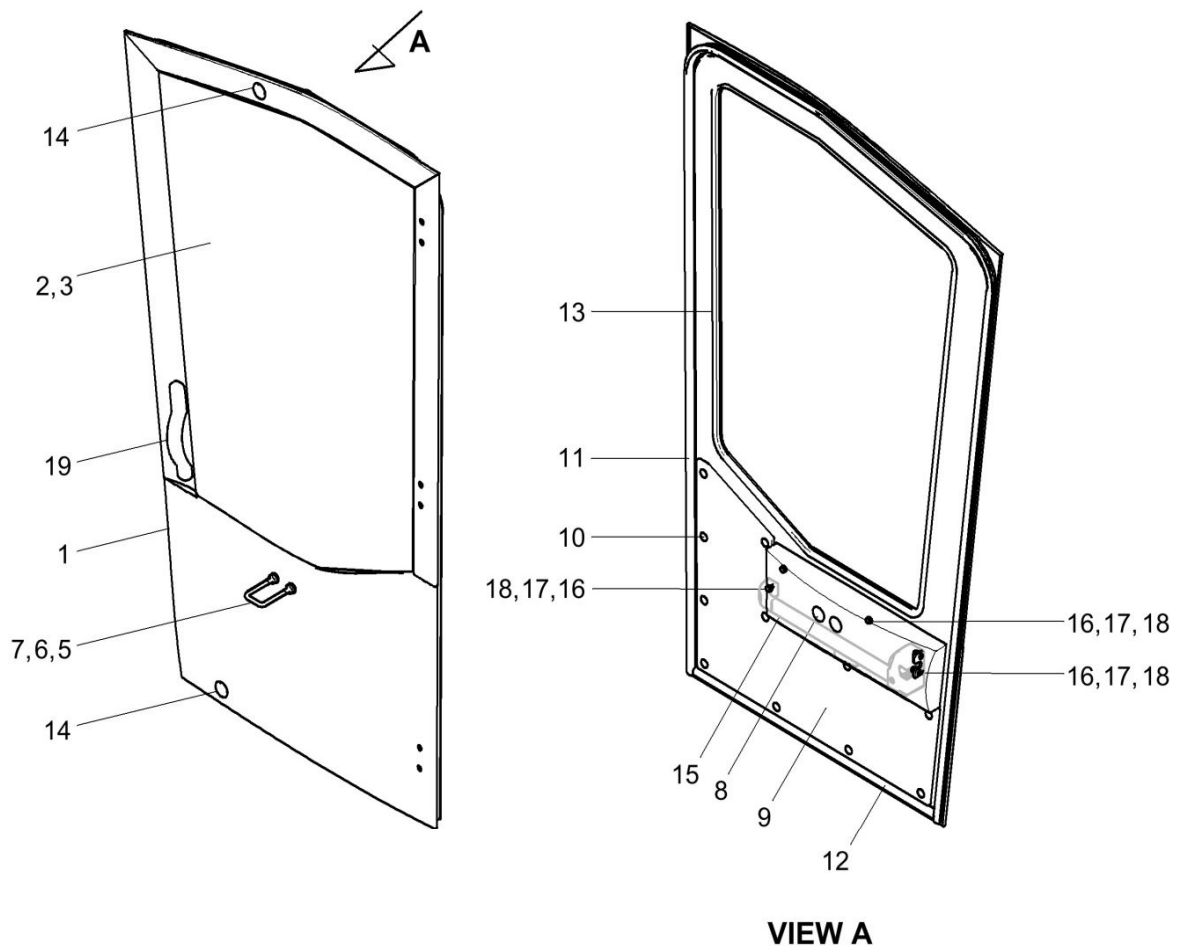


Fig.	06.040	OPEN DOOR ASSY-LH
	D700	D-18110102 A

Item	Part Number	Part Name	Qty	See Fig.	Remarks
1	D-18110400 A	DOOR W.A	1		
2	D-18110431	GLASS, DOOR	1		
3	D-18110432	DAMPER	1		
5	D-18110435	CLAMP, STRIKER DOOR	1		
6	S4012643	HEX NUT	4		M10x1.5-Sty.2-ZPC3
7	S5010613	PLAIN WASHER	4		D10-ZPC3
8	D-18110439	RUBBER, CAP	2		
9	D-18110440	PAD, DOOR	1		
10	D-18110152	SCRIVET	11		
11	D-18110442	WEATHER STRIP	1		
12	D-18110443	WEATHER STRIP	1		
13	D-18110444 A	SEAL	1		
14	D-18110445	PAD, DOOR	2		
15	D-18110434	LATCH, DOOR	1		
16	S0104623	HEX BOLT	5		M6x1-L16-FULL-ZPC3
17	S5010313	PLAIN WASHER	5		D6-ZPC3
18	S5100313	SPRING WASHER	5		D6-ZPC3
19	D-18110436	HANDLE, OUT	1		
EOL					

Fig. 06.050	PLATE ASSY
D700	RJ105-0216

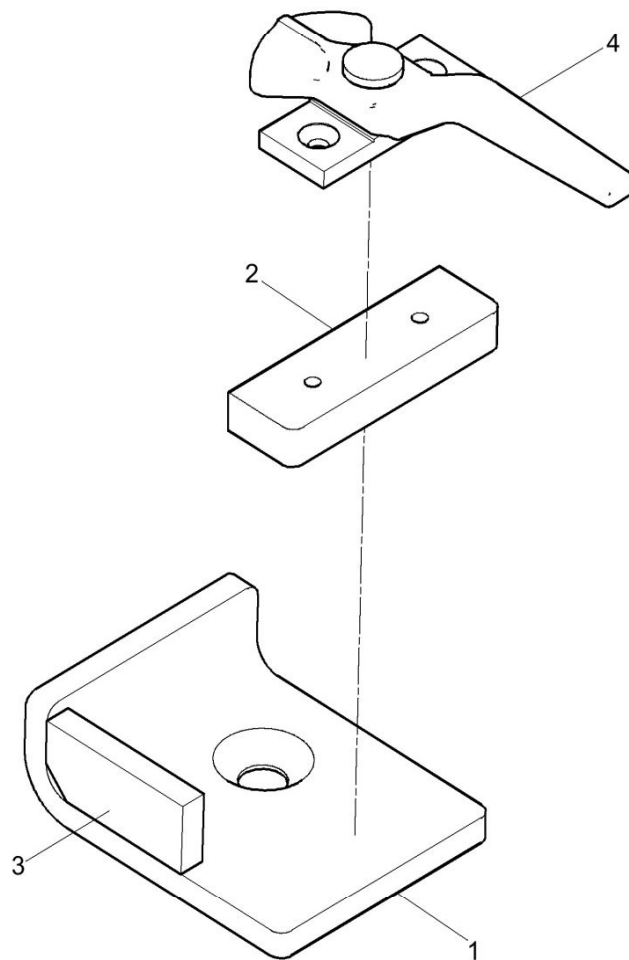


Fig.	06.050	PLATE ASSY
	D700	RJ105-0216

Item	Part Number	Part Name	Qty	See Fig.	Remarks
1	RJ105-0217	PLATE	1		
2	RJ105-0218	PLATE	1		
3	RJ105-0219	PLATE	1		
4	RX000-0723	HANDLE	1		
EOL					

Fig. 06.060	PLATE ASSY
D700	RJ105-0220

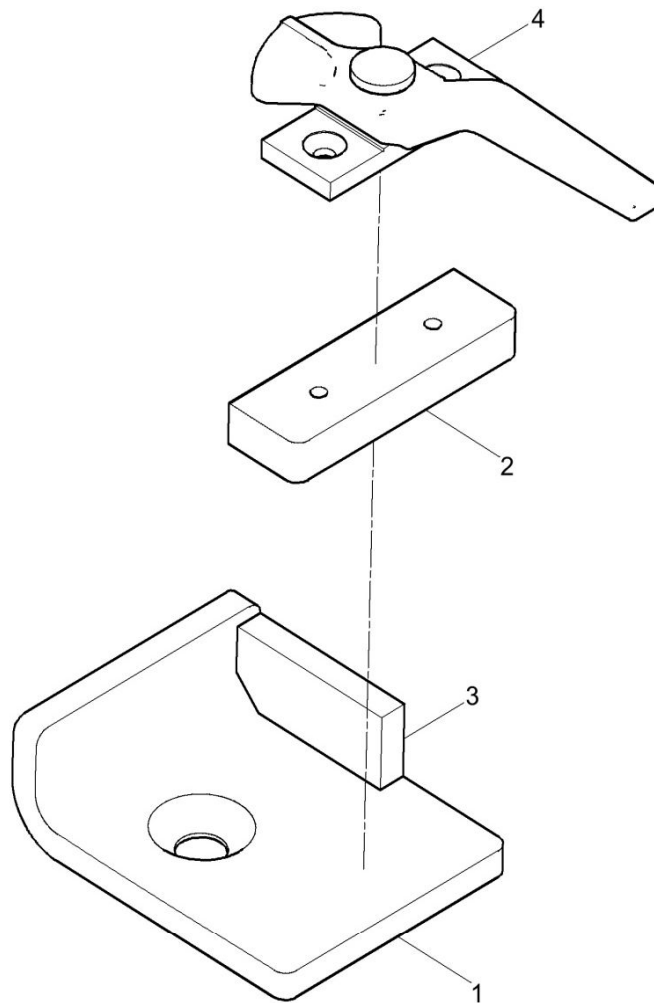


Fig.	06.060	PLATE ASSY
	D700	RJ105-0220

Item	Part Number	Part Name	Qty	See Fig.	Remarks
1	RJ105-0221	PLATE	1		
2	RJ105-0218	PLATE	1		
3	RJ105-0219	PLATE	1		
4	RX000-0723	HANDLE	1		
EOL					

Fig.	06.070	GUARD ASSY
	D700	RJ105-0200

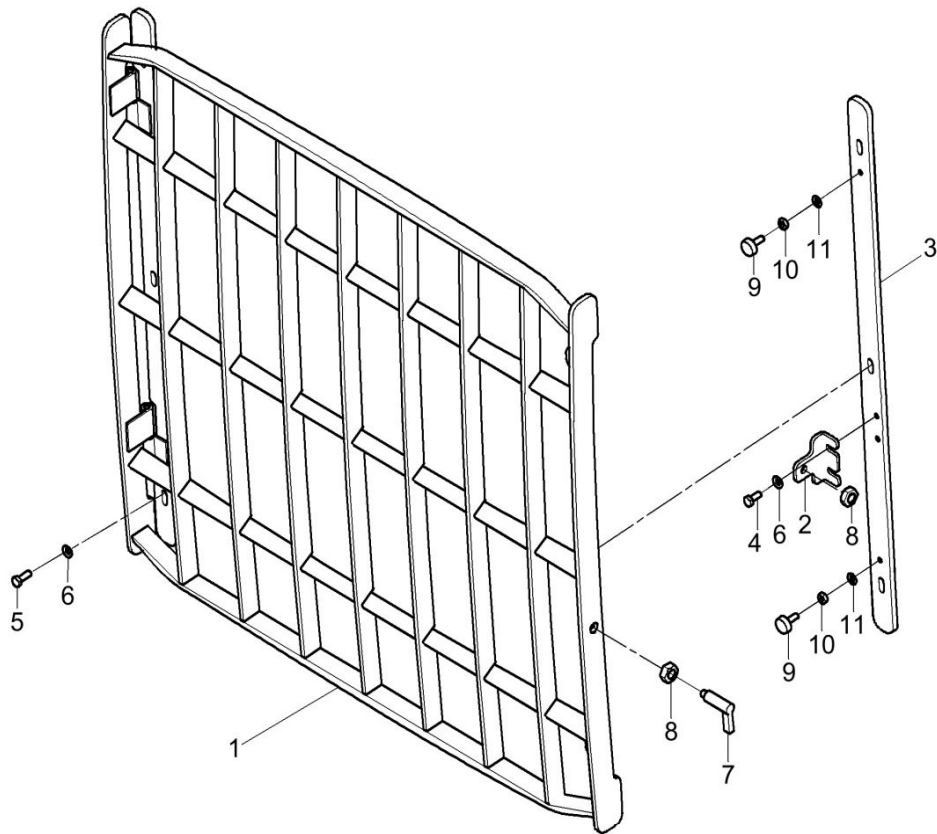


Fig.	06.070	GUARD ASSY
	D700	RJ105-0200

Item	Part Number	Part Name	Qty	See Fig.	Remarks
1	RJ105-0201	GUARD	1		
2	RB505-0018	PLATE	1		
3	RJ105-0204	PLATE	1		
4	S0112063	HEX BOLT	2		M10x1.5-L25-FULL-ZPC3
5	S0112263	HEX BOLT	6		M10x1.5-L30-FULL-ZPC3
6	S5231003	HARDENED WASHER	8		D10-Fe/Zn8/HB
7	RA400-0121 A	CATCH ASSY	1		
8	RA400-0137	HEX NUT	2		
9	D-18110120	STOPPER, RUBBER	2		
10	S4012643	HEX NUT	2		M10x1.5-Sty.2-ZPC3
11	S5010613	PLAIN WASHER	2		D10-ZPC3

EOL

Fig. 07.010	DUST COLLECTOR INSTALL
D700	RJ118-0019 B

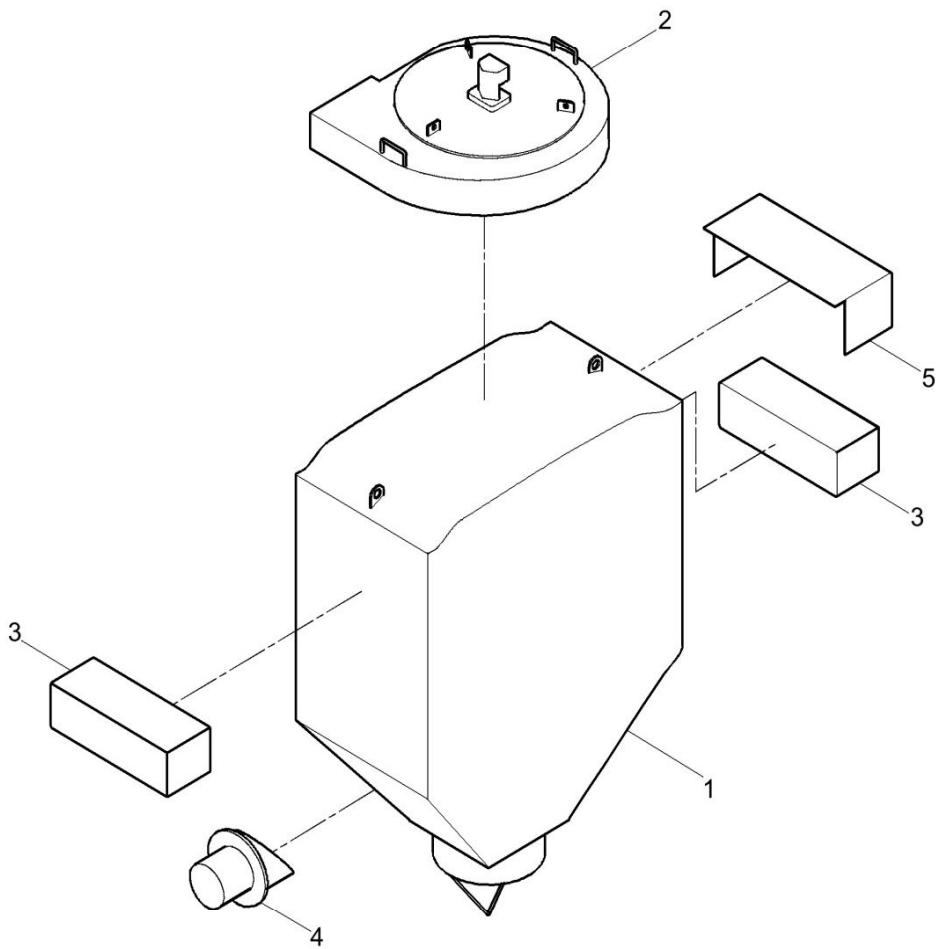


Fig. 07.020	PRE-CLEANER ASSY
D700	RJ118-0025 A

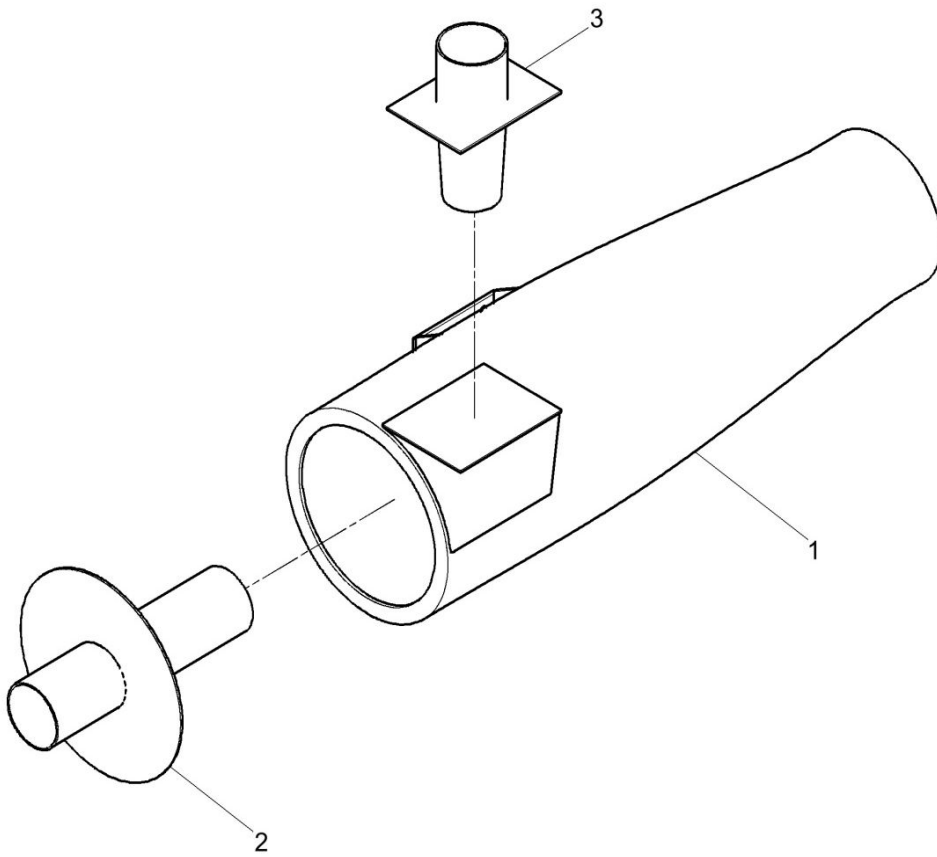


Fig.	07.020	PRE-CLEANER ASSY
	D700	RJ118-0025 A

Item	Part Number	Part Name	Qty	See Fig.	Remarks
1	RJ118-0026	BODY ASSY	1		
2	RJ118-0032	OUTLET PIPE	1		
3	RJ118-0035	INLET PIPE	1		
EOL					

Fig. 08.010	MAIN FRAME ASSY
D700	RJ102-0001 A

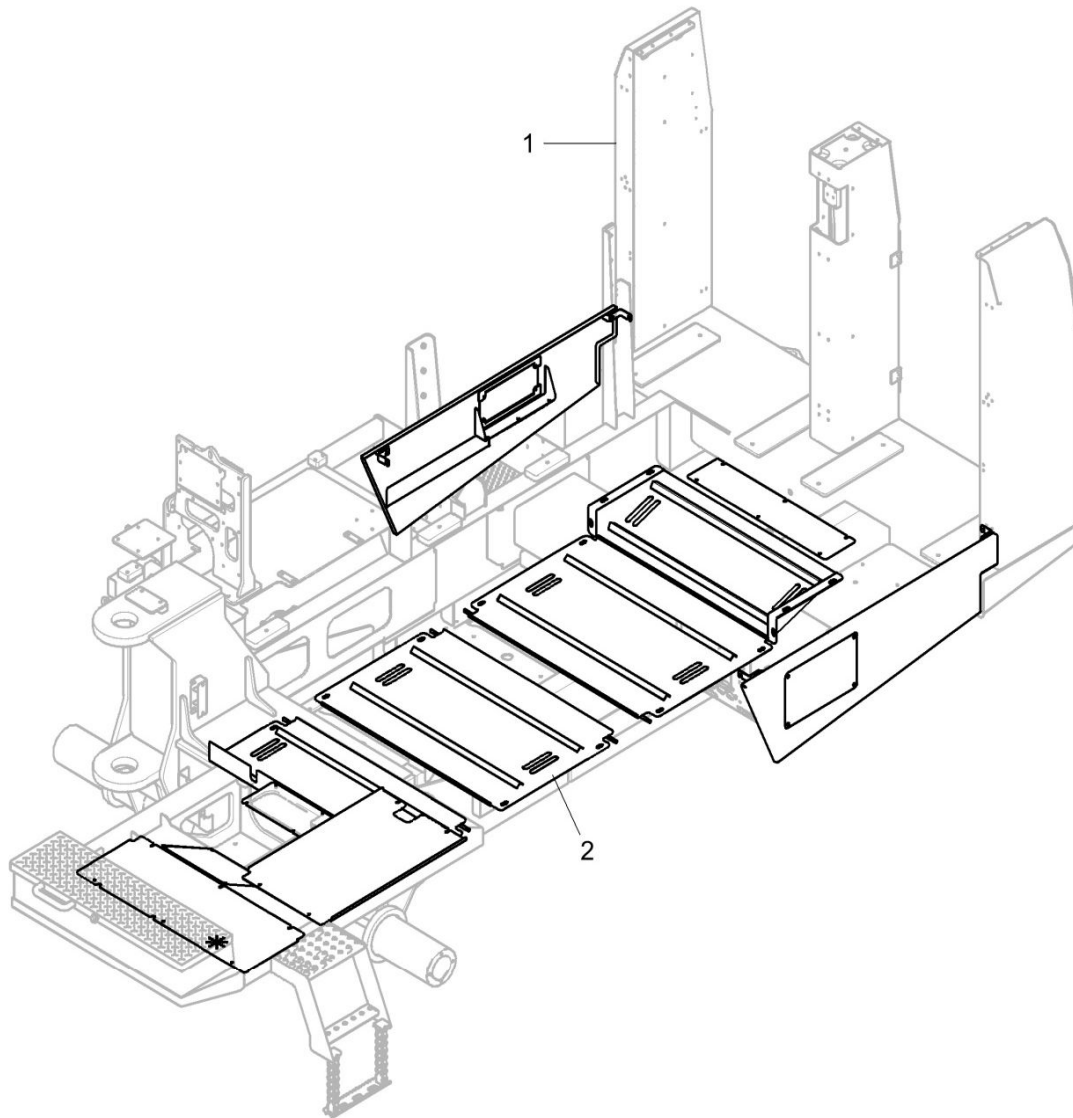


Fig.	08.010	MAIN FRAME ASSY
	D700	RJ102-0001 A

Item	Part Number	Part Name	Qty	See Fig.	Remarks
1	RJ102-0002 A	MAIN FRAME INSTALL	1	08.020	
2	RJ102-0003 A	MAIN FRAME COVER INSTALL	1	08.030	
EOL					

Fig.

08.020

MAIN FRAME INSTALL

D700

RJ102-0002 A

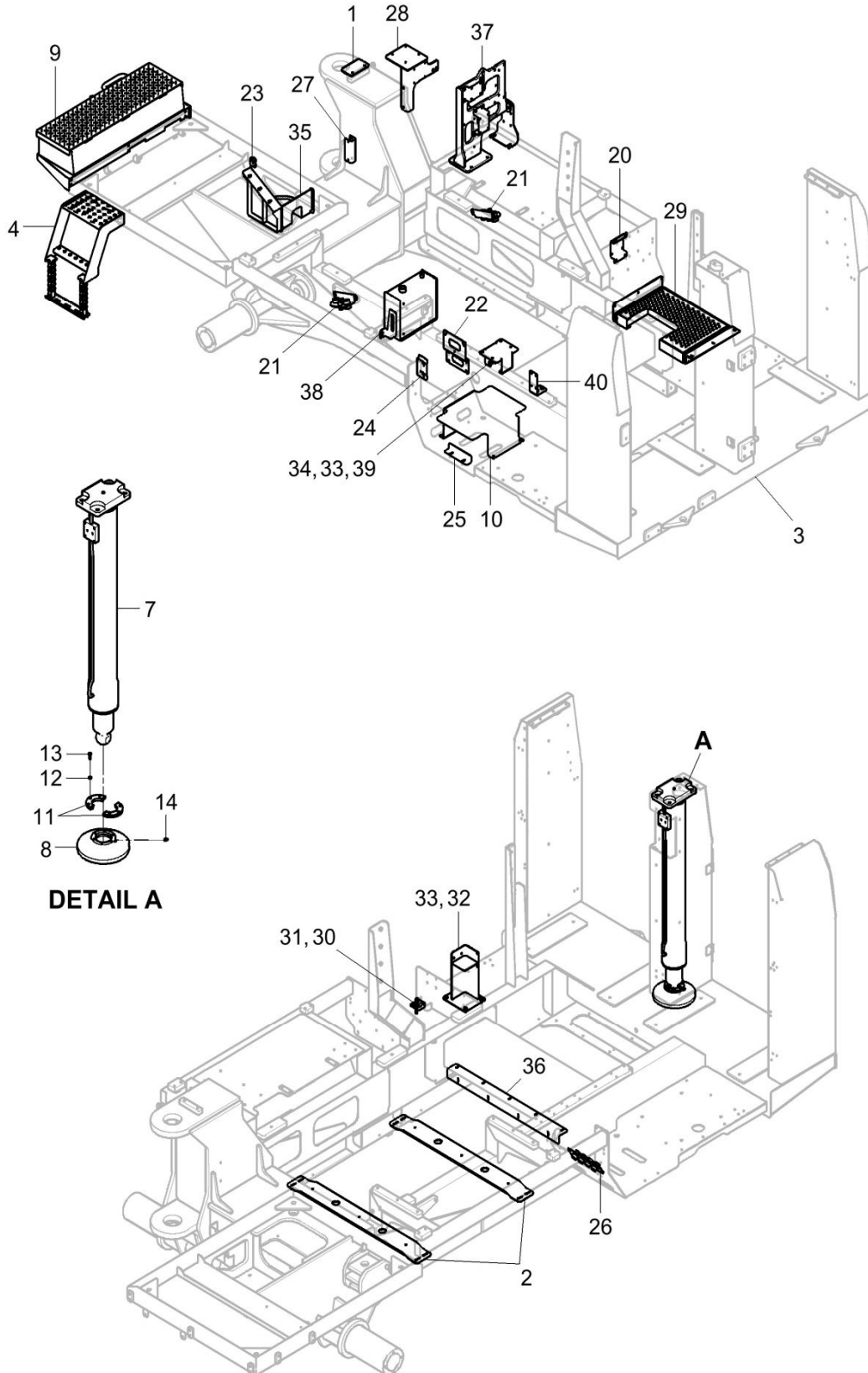


Fig.	08.020	MAIN FRAME INSTALL
	D700	RJ102-0002 A

Item	Part Number	Part Name	Qty	See Fig.	Remarks
1	RJ102-0420	PLATE	1		
2	RJ102-0119	BRACKET	2		
3	RJ102-0363	MAIN FRAME WELD ASSY	1		
4	D-17013200 A	STEP ASSY	1	08.080	
7	RJ102-0175	JACK CYLINDER	1		
8	RJ102-0156	SHOE	1		
9	RJ102-0311	TOOL BOX ASSY	1	08.090	
10	RJ102-0408	COVER	1		
11	RQ127-0044	SHOE BRACKET	2		
12	S5010513	PLAIN WASHER	6		D8-ZPC3
13	S0109263	HEX BOLT	6		M8x1.25-L30-FULL-ZPC3
14	S6710040	GREASE NIPPLE (A Type)	1		PT 1/8-CD
20	RJ102-0419	BRACKET	1		
21	RJ102-0414	HOSE TERMINAL	2		
22	RJ102-0413	BRACKET	1		
23	RJ102-0410	HOSE TERMINAL	1		
24	RJ102-0409	BRACKET	1		
25	RJ102-0407	BRACKET	1		
26	RJ102-0404	HOSE TERMINAL	1		
27	RJ102-0421	BRACKET	1		
28	RJ102-0285 A	BRACKET	1		
29	RJ102-0445	SLIDING STEP ASSY	1	08.100	
30	RB502-0070	BRACKET	1		
31	RB502-0069	PIN-BALL LOCK	1		
32	RJ102-0241 A	BRACKET	1		
33	S5231003	HARDENED WASHER	10		D10-Fe/Zn8/HB
34	S0112063	HEX BOLT	10		M10x1.5-L25-FULL-ZPC3
35	RJ102-0458 A	GREASE BRACKET	1		
36	RJ102-0466	BRACKET	1		
37	RJ102-0527	BRACKET	1	08.110	
38	RJ102-0534	OIL TANK	1	08.120	
39	RJ103-0096	BRACKET	1		
40	RJ103-0091	PLATE	1		

EOL

Fig. 08.030	MAINFRAME COVER INSTALL
D700	RJ102-0003 A

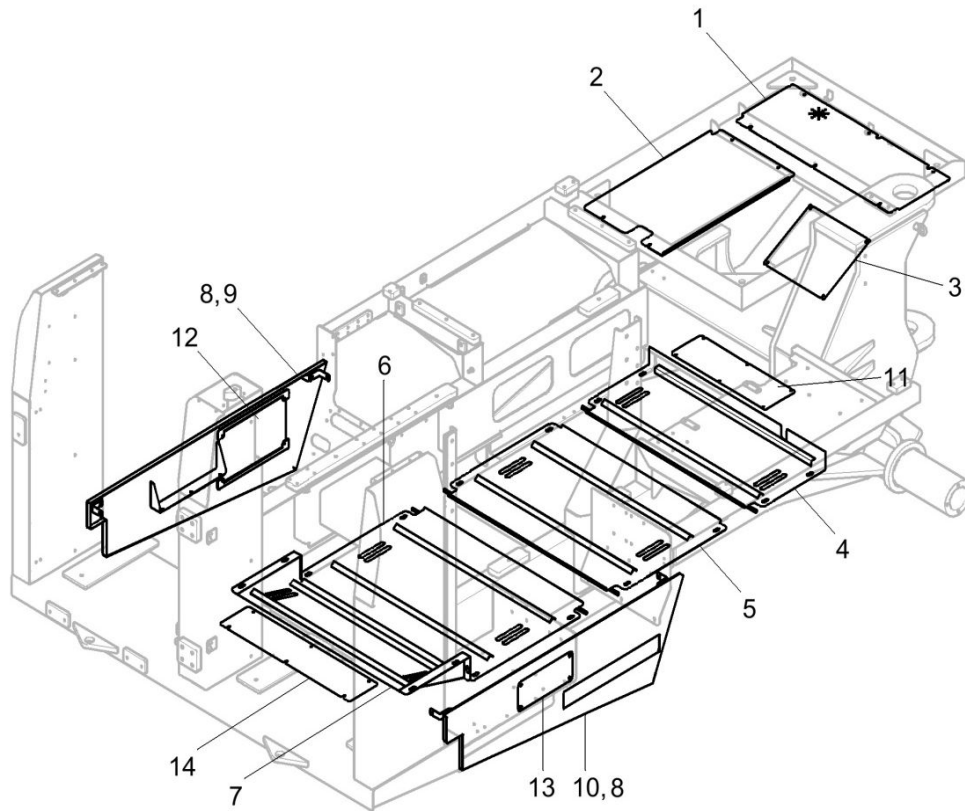


Fig.	08.030	MAINFRAME COVER INSTALL
	D700	RJ102-0003 A

Item	Part Number	Part Name	Qty	See Fig.	Remarks
1	RJ102-0435	UNDER COVER	1		
2	RJ102-0434	UNDER COVER	1		
3	RJ102-0433	UNDER COVER	1		
4	RJ102-0018 A	UNDER COVER	1		
5	RJ102-0009 A	UNDER COVER	1		
6	RJ102-0012 A	UNDER COVER	1		
7	RJ102-0437	UNDER COVER	1		
8	RJ102-0150	BRACKET	4		
9	RJ102-0424	SIDE COVER	1		
10	RJ102-0429	SIDE COVER	1		
11	RJ102-0432	COVER	1		
12	RJ102-0427	COVER	1		
13	RJ102-0431	COVER	1		
14	RJ102-0436	COVER	1		
EOL					

Fig. 08.040	HYDRAULIC OIL TANK
D700	RJ102-0180 B

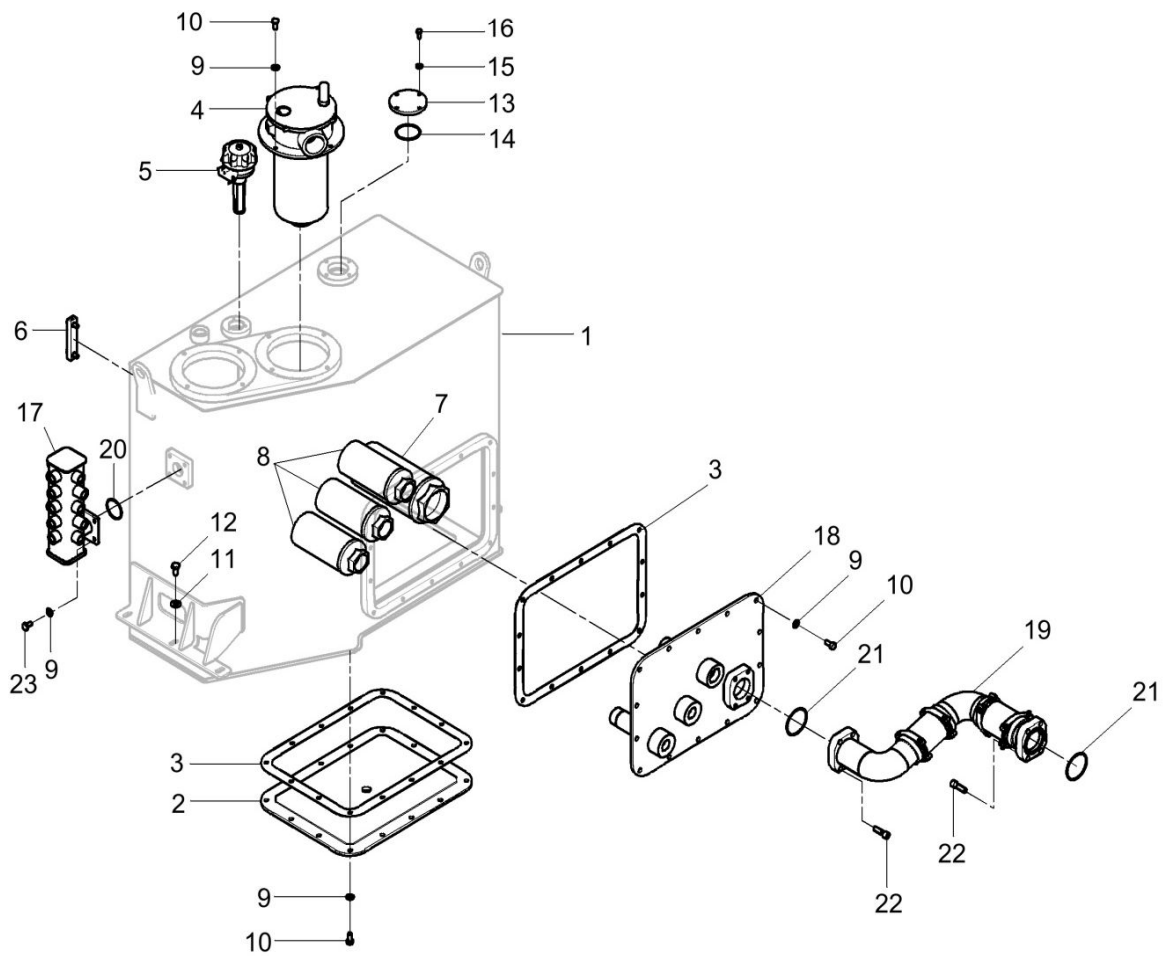


Fig.	08.040	HYDRAULIC OIL TANK
	D700	RJ102-0180 B

Item	Part Number	Part Name	Qty	See Fig.	Remarks
1	RJ102-0471	HYD. TANK WELD ASSY	1		
2	RJ102-0208	COVER	1		
3	RJ102-0206	GASKET	2		
4	D-59050400	RETURN FILTER	2	08.060	
5	D-59001700	AIR BREATHER	1		
6	RB750-0001	LEVEL GAUGE	1		
7	D-59050500	FILTER, SUCTION	1		
8	D-59050600	FILTER, SUCTION	3		
9	S5231003	HARDENED WASHER	40		D10-Fe/Zn8/HB
10	S0112063	HEX BOLT	36		M10x1.5-L25-FULL-ZPC3
11	D-26000002	PLAIN WASHER	6		M12
12	S0115063	HEX BOLT	6		M12x1.75-L25-FULL-ZPC3
13	RB702-0321	CAP	1		
14	S8010650	O RING	1		G65-1A
15	S5230803	HARDENED WASHER	4		D8-Fe/Zn8/HB
16	S0108863	HEX BOLT	4		M8x1.25-L20-FULL-ZPC3
17	RJ102-0485	DRAIN MANIFOLD	1		
18	RJ102-0498	BRACKET	1		
19	RJ102-0503	SUCTION PIPE	1	08.050	
20	S8010550	O RING	1		G55-1A
21	S8010751	O-RING	2		G75-1B
22	S2215476	SOCKET BOLT	8		M12x1.75-L40-DAC
23	S0111863	HEX BOLT	4		M10x1.5-L20-FULL-ZPC3
EOL					

Fig.	08.050	SUCTION PIPE
	D700	RJ102-0503

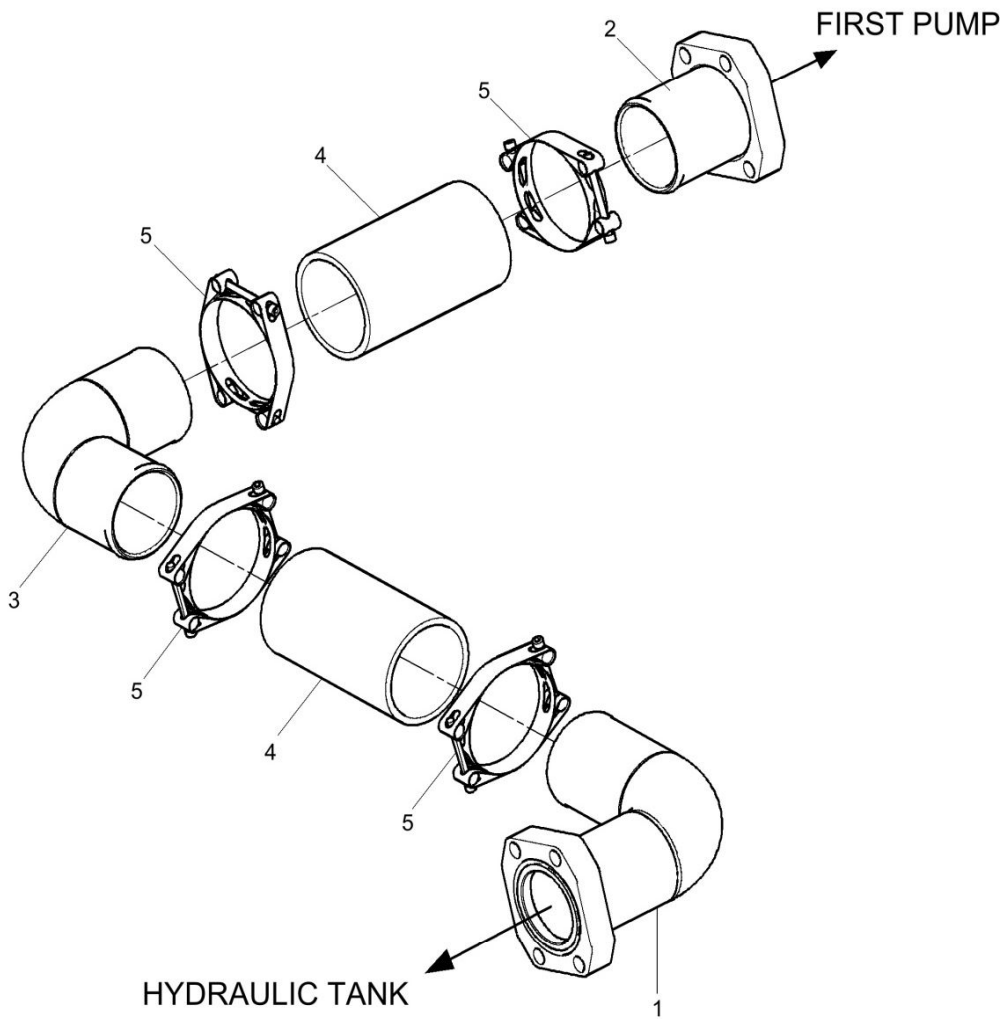


Fig.	08.050	SUCTION PIPE
	D700	RJ102-0503

Item	Part Number	Part Name	Qty	See Fig.	Remarks
1	RJ102-0501	PIPE	1		
2	RJ102-0500	PIPE	1		
3	RJ102-0502	PIPE	1		
4	RJ102-0504	HOSE	2		
5	S8460090	HOSE CLAMP	4		D90

EOL

Fig. 08.060	RETURN FILTER
D700	D-59050400

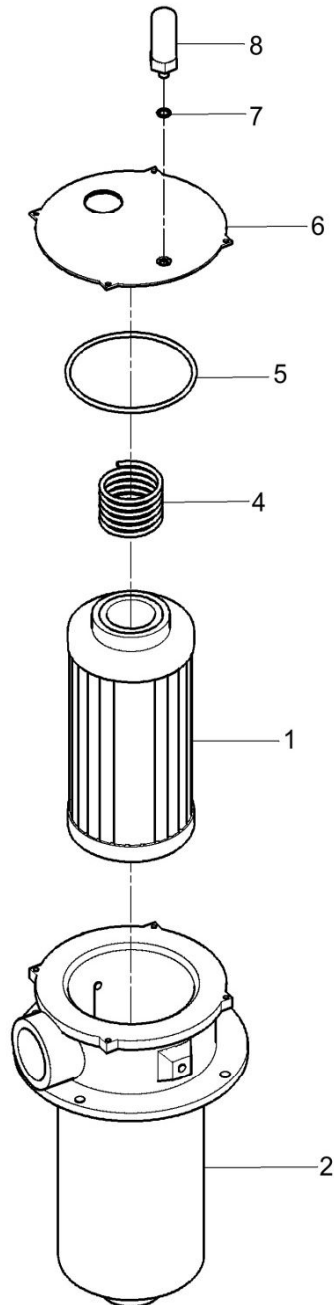


Fig.	08.060	RETURN FILTER
	D700	D-59050400

Item	Part Number	Part Name	Qty	See Fig.	Remarks
1	D-59050401	ELEMENT, RETURN FILTER	1		
2	D-59050402	RETURN FILTER	1		
4	D-59050404	SPRING	1		
5	D-59050405	O RING	1		
6	D-59050406	COVER	1		
7	S8000101	O RING	1		P10-1B
8	RB550-0015	INDICATOR	1		

EOL

Fig. 08.070	FUEL TANK ASSY
D700	RJ119-0001 B

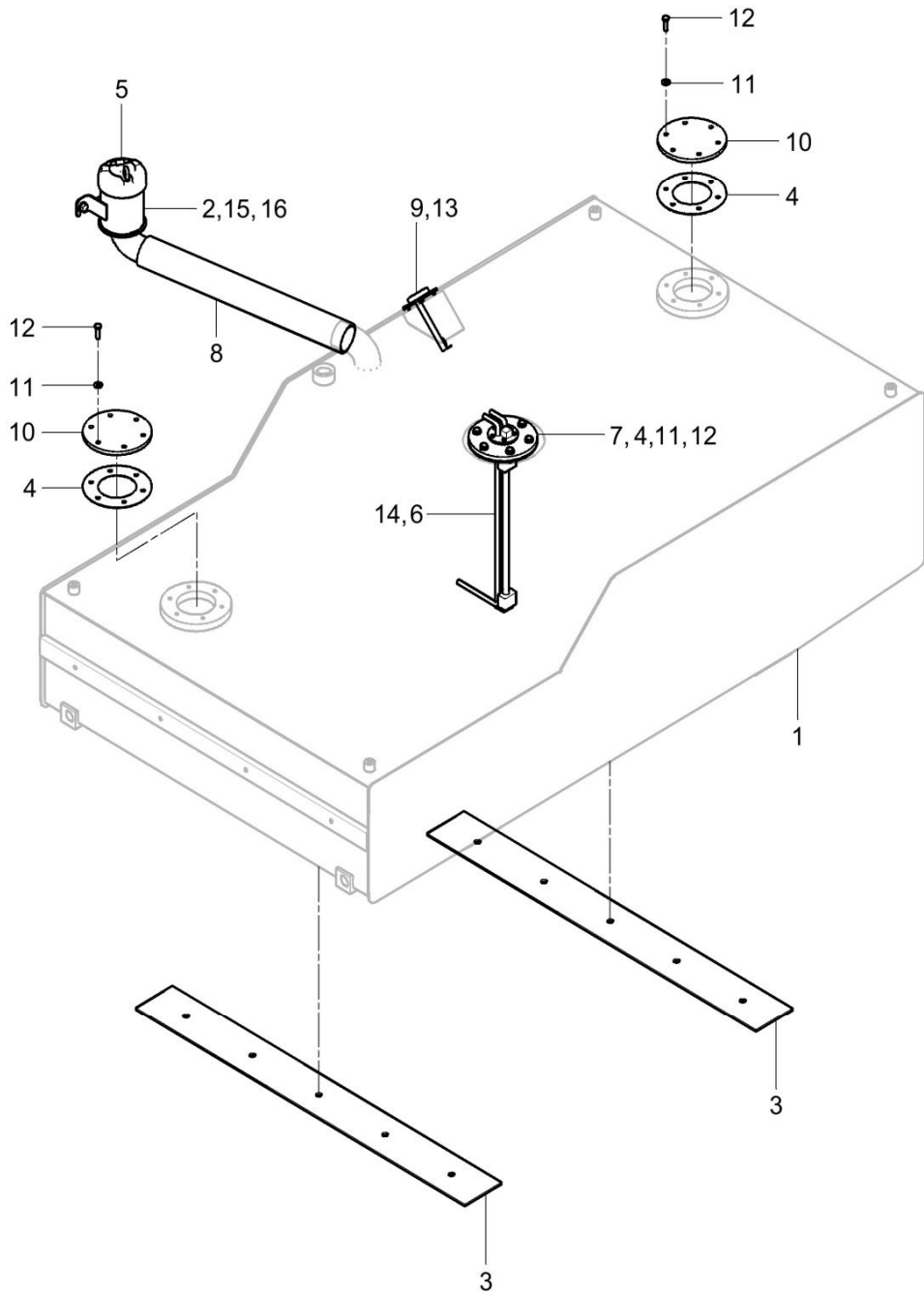


Fig.	08.070	FUEL TANK ASSY
	D700	RJ119-0001 B

Item	Part Number	Part Name	Qty	See Fig.	Remarks
1	RJ119-0039	FUEL TANK WELD ASSY	1		
2	RJ119-0057	NECK	1		
3	RJ119-0022	PAD	2		
4	RJ119-0058	GASKET	3		
5	RJ119-0054	CAP	1		
6	RA100-0023	LEVELING SENSOR	1		
7	RJ119-0053	FLANGE	1		
8	RJ119-0055	TUBE	1		
9	RJ119-0056	GAUGE	1		
10	RJ119-0065	COVER	2		
11	S5230801	HARDENED WASHER	18		D8-BO
12	S0109263	HEX BOLT	18		M8x1.25-L30-FULL-ZPC3
13	S3452826	SCREW	4		M5x0.8-L10-PM
14	S345081A	FLAT HEAD SCREW	5		M5x0.8xL8
15	S5231001	HARDENED WASHER	2		D10-BO
16	S0111663	HEX BOLT	2		M10x1.5-L16-FULL-ZPC3

EOL

Fig.	08.080	STEP ASSY
	D700	D-17013200 A

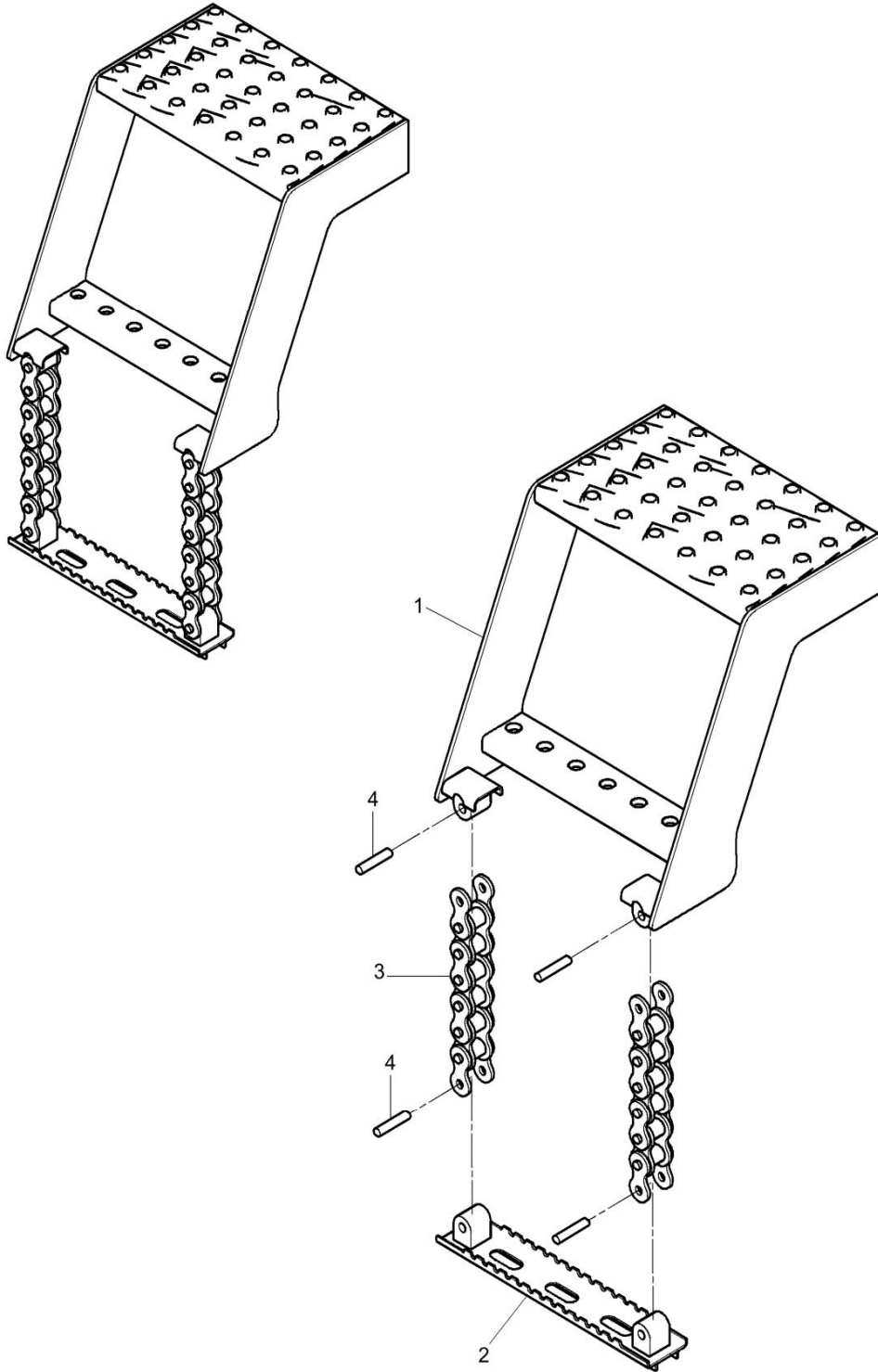


Fig.	08.080	STEP ASSY
	D700	D-17013200 A

Item	Part Number	Part Name	Qty	See Fig.	Remarks
1	D-17013210	STEP WELD ASSY	1		
2	D-17013211	STEP WELD ASSY	1		
3	D-26021300	CHAIN ASSY	2		
4	D-26021303	PIN	4		
EOL					

Fig.	08.090	TOOL BOX ASSY
	D700	RJ102-0311

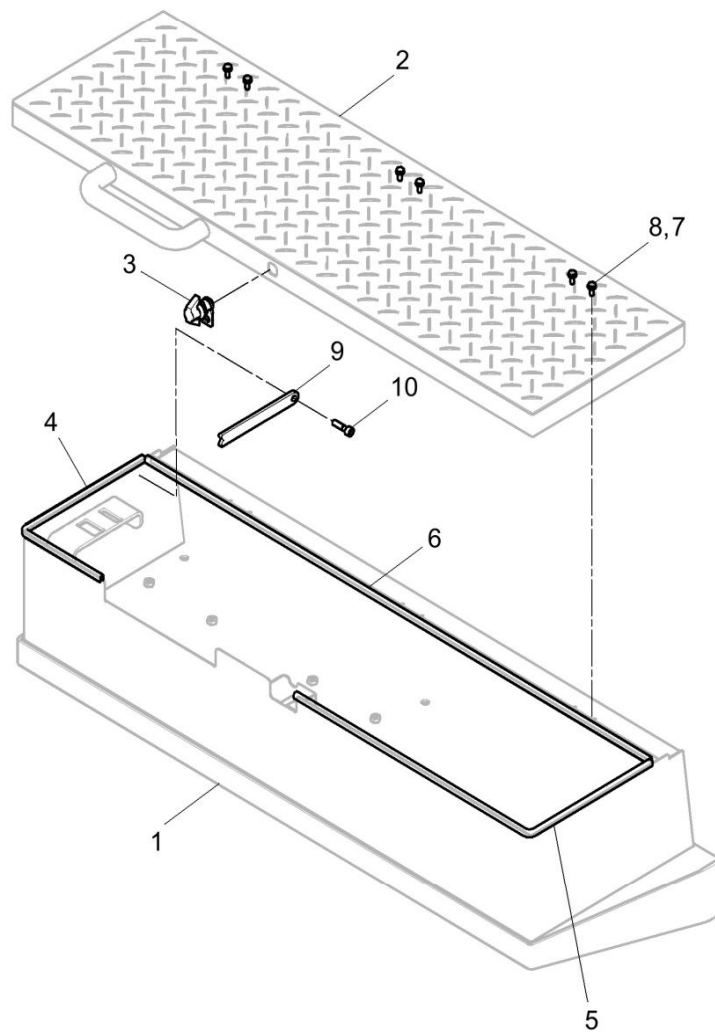


Fig.	08.090	TOOL BOX ASSY
	D700	RJ102-0311

Item	Part Number	Part Name	Qty	See Fig.	Remarks
1	RJ102-0256 A	TOOL BOX	1		
2	RJ102-0313	COVER	1		
3	RA400-0132	CAMLOCK	1		
4	RA400-0164	GASKET	1		
5	RA400-0139	GASKET	1		
6	RA400-0140	GASKET	1		
7	S5010313	PLAIN WASHER	6		D6-ZPC3
8	S0104653	HEX BOLT	6		
9	RJ102-0269	PLATE	1		
10	S2209263	SOCKET BOLT	1		M8x1.25-L30-ZPC3

EOL

Fig.	08.100	SLIDING STEP ASSY
	D700	RJ102-0445 A

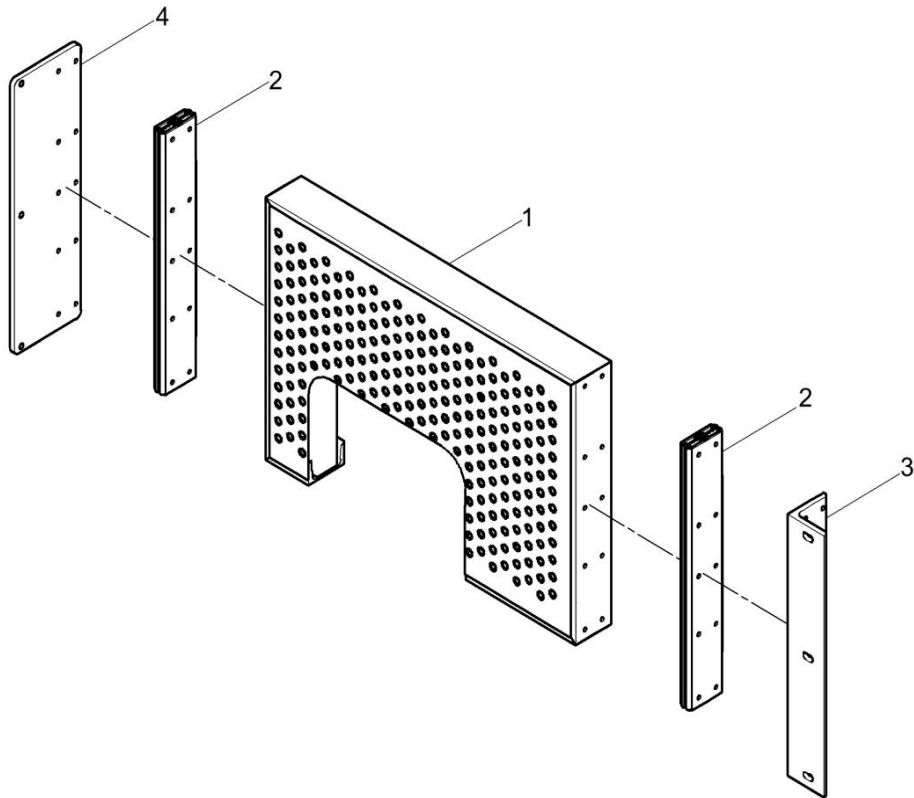


Fig.	08.100	SLIDING STEP ASSY
	D700	RJ102-0445 A

Item	Part Number	Part Name	Qty	See Fig.	Remarks
1	RJ102-0446	STEP FRAME	1		
2	RA400-0117	SLIDE RAIL	2		
3	RJ102-0456	ANGLE	1		
4	RJ102-0452	PLATE	1		
EOL					

Fig.	08.110	BRACKET
	D700	RJ102-0527

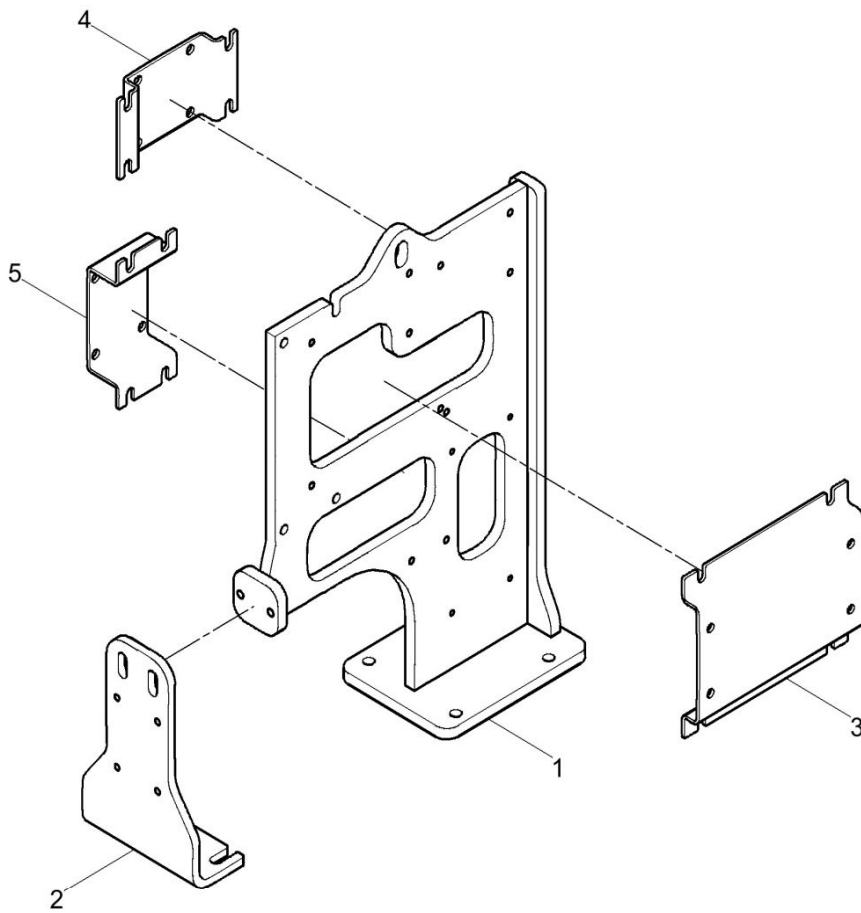


Fig.	08.110	BRACKET
	D700	RJ102-0527

Item	Part Number	Part Name	Qty	See Fig.	Remarks
1	RJ102-0533	BRACKET	1		
2	RJ102-0532	BRACKET	1		
3	RJ102-0227	BRACKET	1		
4	RJ102-0220	BRACKET	1		
5	RJ102-0221	BRACKET	1		

EOL

Fig.	08.120	OIL TANK
	D700	RJ102-0534 A

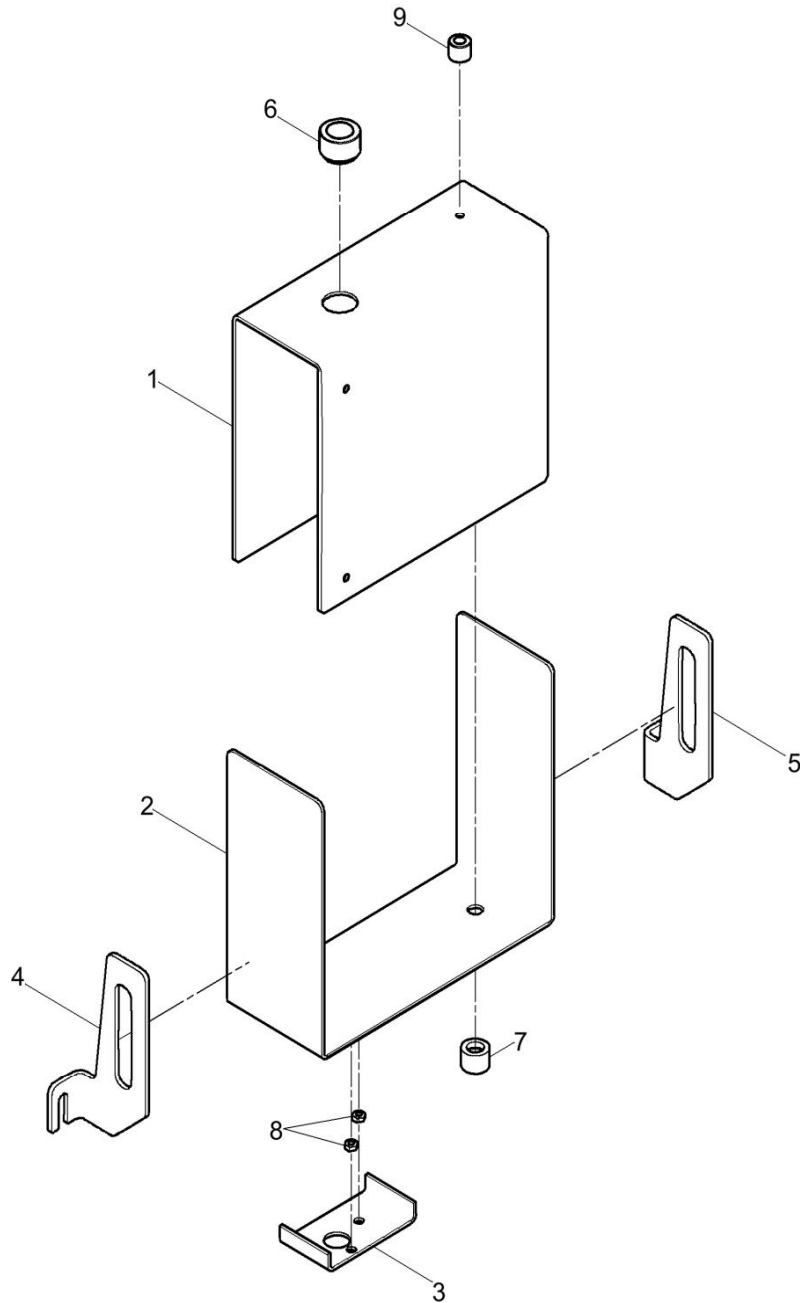


Fig.	08.120	OIL TANK
	D700	RJ102-0534 A

Item	Part Number	Part Name	Qty	See Fig.	Remarks
1	RJ102-0535	PLATE	1		
2	RJ102-0536	PLATE	1		
3	RJ102-0537	PLATE	1		
4	RJ102-0539	PLATE	1		
5	RJ102-0538	PLATE	1		
6	RJ102-0541	SOCKET	1		
7	RJ102-0493	SOCKET	1		
8	S4016543	HEX NUT	2		
9	RJ102-0540	SOCKET	1		

EOL

Fig.	SUB ENGINE MOUNTING
09.010	
D700	RJ103-0084 A

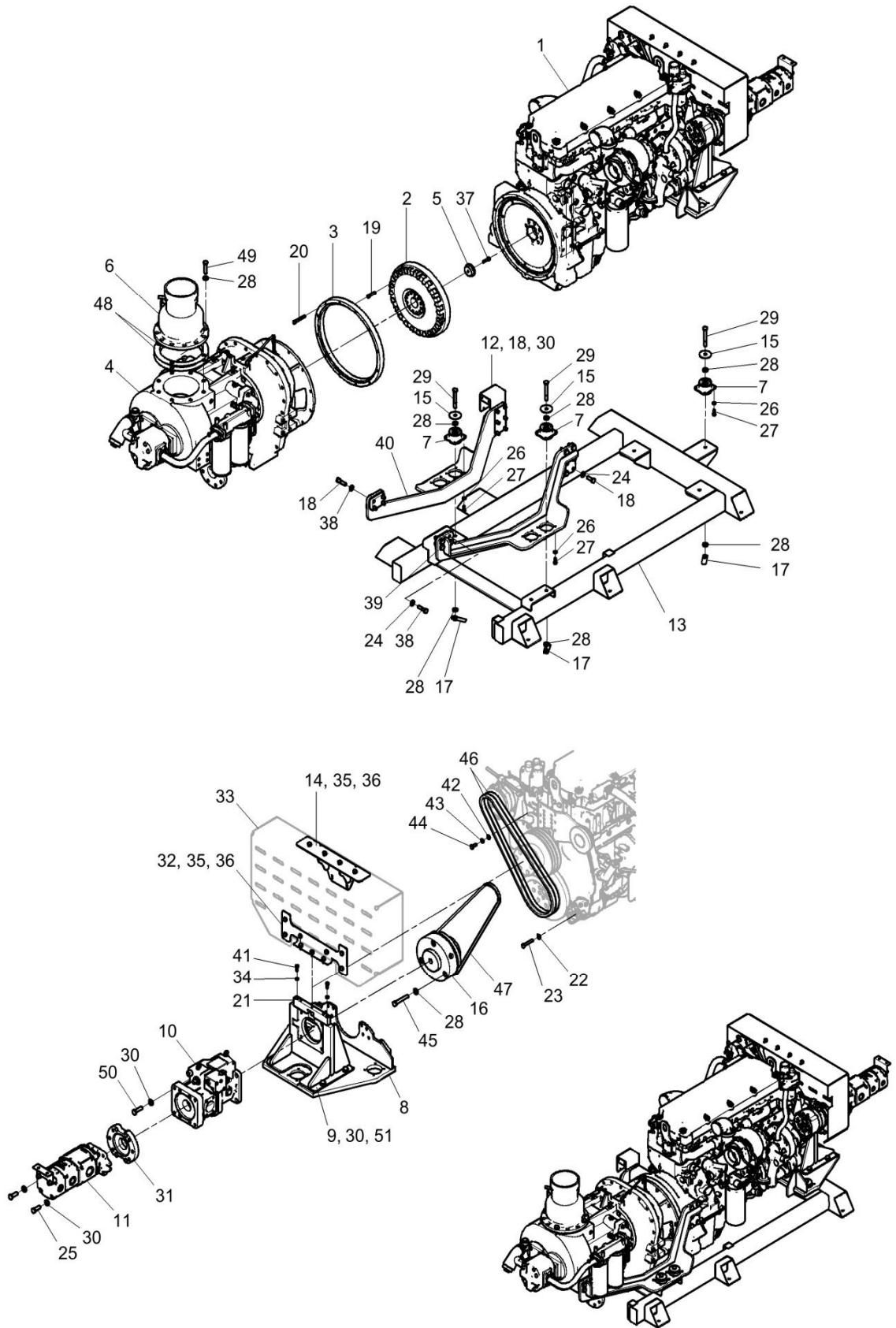


Fig.	09.010	SUB ENGINE MOUNTING
	D700	RJ103-0084 A

Item	Part Number	Part Name	Qty	See Fig.	Remarks
1	RJ152-0001	ENGINE	1		
2	RJ103-0019	FLEXIBLE COUPLING	1		
3	RJ103-0029	SPACER	1		
4	RJ123-0003	AIR END ASSY	1	10.010	
5	RJ103-0046	COVER	1		
6	RJ121-0065	UNLOAD VALVE	1		
7	RA400-0016	RUBBER	7		
8	RJ103-0010	BRACKET	1		
9	RJ103-0006	BRACKET	1		
10	RJ150-0004	PUMP UNIT	1		
11	RJ150-0005	PUMP UNIT	1		
12	RJ103-0070 A	BRACKET	1		
13	RJ103-0081	FRAME WELD ASSY	1		
14	RJ103-0061 A	BRACKET	1		
15	RB703-0016	RING	7		
16	RJ152-0004	CENTAFLEX COUPLING	1		
17	RJ103-0048	STOP NUT	7		
18	RJ103-0054	HEX BOLT-INCH	12		UNC 5/8-11XL45
19	RJ103-0086	UNC BOLT	8		
20	RJ103-0055	HEX BOLT-INCH	12		UNC 7/16-14 X L85
21	RJ103-0057 A	BOSS	1		
22	S5231203	HARDENED WASHER	8		D12-Fe/Zn8/HB
23	S0116063	HEX BOLT	8		M12x1.75-L70-FULL-ZPC3
24	S5231605	HARDENED WASHER	9		D16-DACRO
25	S0121563	HEX BOLT	2		M16x2-L45-FULL-ZPC3
26	S5231003	HARDENED WASHER	28		D10-Fe/Zn8/HB
27	S0112263	HEX BOLT	28		M10x1.5-L30-FULL-ZPC3
28	S5231603	HARDENED WASHER	24		D16-Fe/Zn8/HB
29	S0166663	HEX BOLT	7		M16x2-L120-ZPC3
30	S5231601	HARDENED WASHER	22		D16-BO
31	RJ103-0064	FLANGE	1		
32	RJ103-0058 A	PLATE	1		
33	RJ103-0056 A	BELT COVER	1		
34	S5100603	SPRING WASHER	4		D10-ZPC3
35	S5010603	PLAIN WASHER	14		D10-ZPC3
36	S0112063	HEX BOLT	14		M10x1.5-L25-FULL-ZPC3
37	S0112563	HEX BOLT	1		M10x1.5-L45-FULL-ZPC3
38	S0121863	HEX BOLT	8		M16x2-L60-FULL-ZPC3
39	RJ103-0076	BRACKET	1		
40	RJ103-0075	BRACKET	1		

Fig.

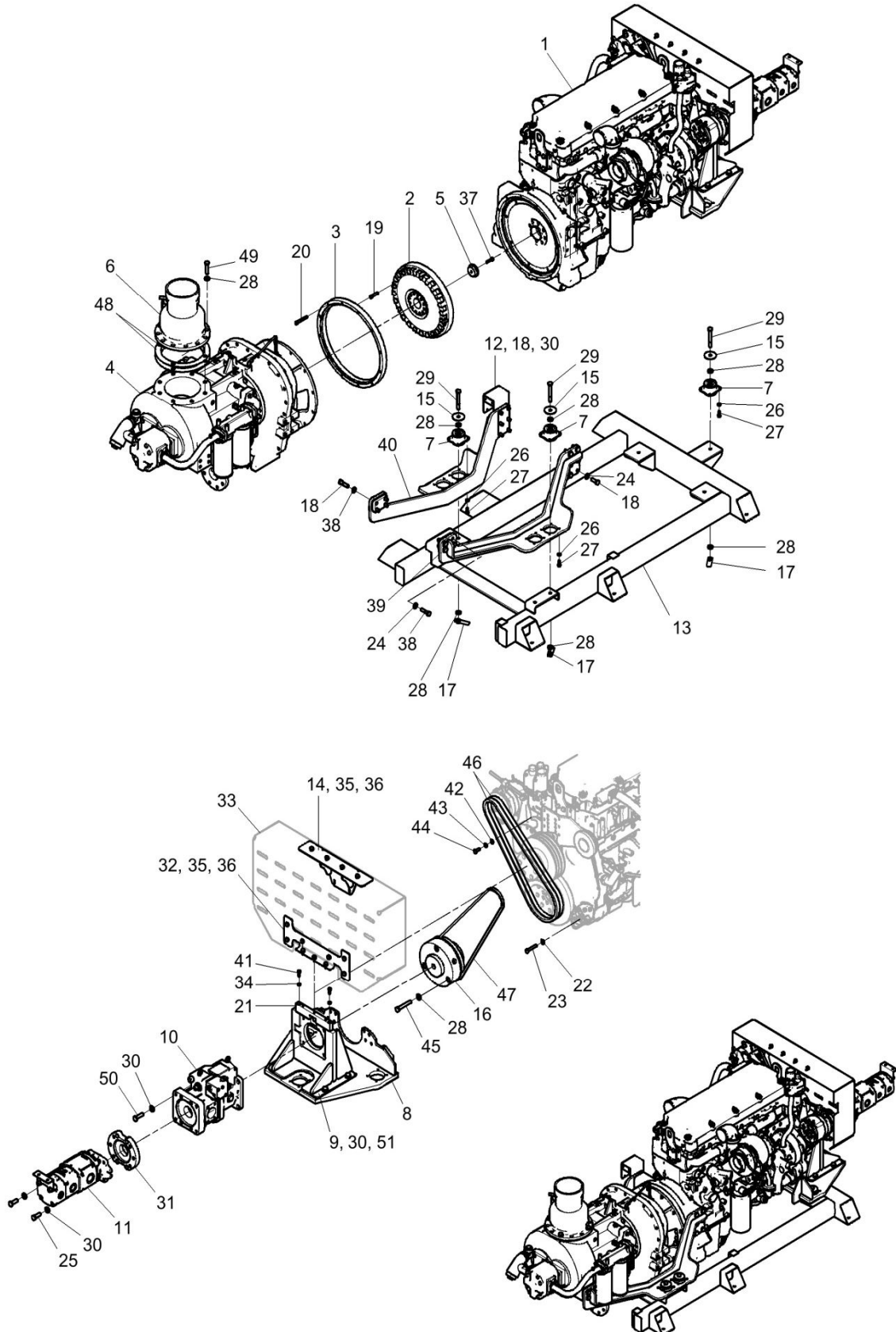
09.010**SUB ENGINE MOUNTING****D700****RJ103-0084 A**

Fig.	09.010	SUB ENGINE MOUNTING
	D700	RJ103-0084 A

Item	Part Number	Part Name	Qty	See Fig.	Remarks
41	S2212063	SOCKET BOLT	2		M10x1.5-L25-ZPC3
42	S5010703	PLAIN WASHER	4		D12-ZPC3
43	S5102703	SPRING WASHER	4		D12-ZPC3
44	S0115263	HEX BOLT	4		M12x1.75-L30-FULL-ZPC3
45	S0122663	HEX BOLT	6		M16x2-L100-FULL-ZPC3
46	RA400-0124	V BELT	2		
47	RA400-0123	V BELT	1		
48	RA400-0204	GASKET	2		
49	S0122063	HEX BOLT	4		M16x2-L70-FULL-ZPC3
50	S0121763	HEX BOLT	4		M16x2-L55-FULL-ZPC3
51	S0121463	HEX BOLT	4		M16x2-L40-FULL-ZPC3

EOL

Fig.	09.020	COOLING GROUP
	D700	RJ122-0030

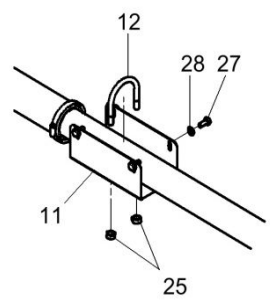
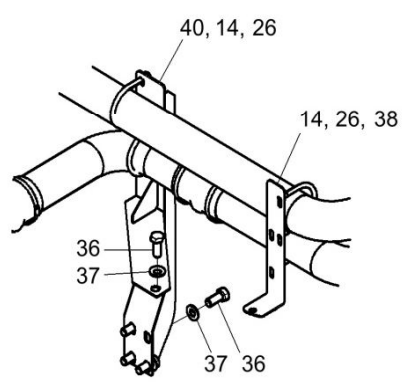
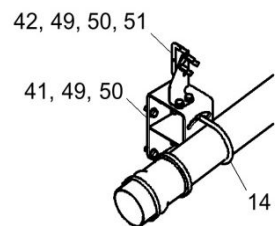
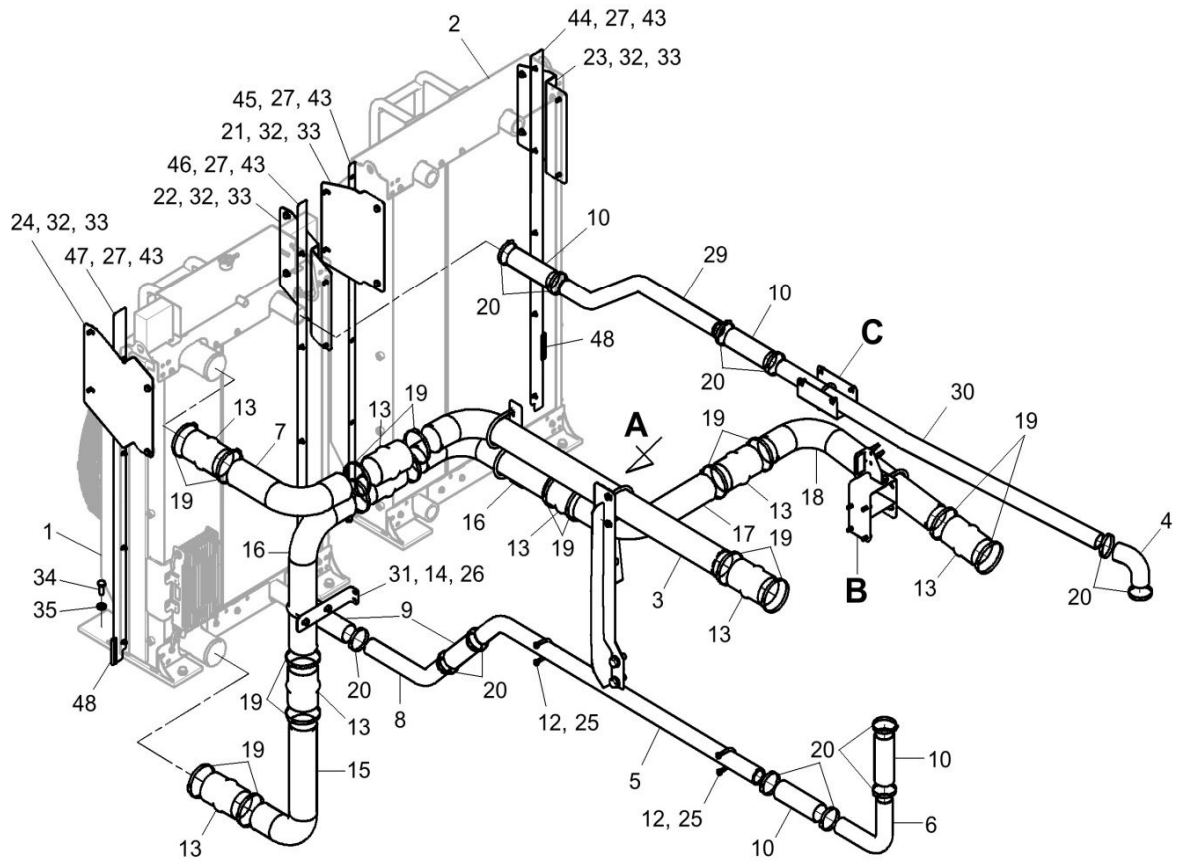


Fig.	09.020	COOLING GROUP
	D700	RJ122-0030

Item	Part Number	Part Name	Qty	See Fig.	Remarks
1	RJ122-0001	COOLING MODULE	1	09.040	
2	RJ122-0002	OIL COOLING MODULE	1	09.030	
3	RJ122-0015	CAC	1		
4	D-25006803	HOSE, ELBOW	1		
5	RJ122-0010	RADIATOR OUTLET PIPE	1		
6	RJ122-0011	RADIATOR OUTLET PIPE	1		
7	RJ122-0014	CAC	1		
8	RJ122-0019	RADIATOR OUTLET PIPE	1		
9	RJ122-0057	HOSE	2		
10	RJ122-0018	HOSE	4		
11	RJ122-0021	PLATE	1		
12	RJ122-0020	U BOLT	3		
13	RJ122-0022	SILICON HOSE	9		
14	RJ122-0026	U BOLT	6		
15	RJ122-0004	CAC	1		
16	RJ122-0007	CAC	2		
17	RJ122-0008	CAC	1		
18	RJ122-0047	CAC	1		
19	S8450105	HOSE CLAMP	18		D105
20	S8450066	HOSE CLAMP	14		D66
21	RJ122-0031	PLATE	1		
22	RJ122-0032	PLATE	1		
23	RJ122-0033	PLATE	1		
24	RJ122-0059	PLATE	1		
25	S4012641	HEX NUT	6		M10x1.5-Sty.2-PM
26	S4012741	HEX NUT	10		M12x1.75-Sty.2-PM
27	S0108861	HEX BOLT	17		M8x1.25-L20-FULL-PM
28	S5000590	PLAIN WASHER	4		D8
29	RJ122-0012	RADIATOR INLET PIPE	1		
30	RJ122-0009	RADIATOR INLET PIPE	1		
31	RJ122-0035	BRACKET	1		
32	S0112001	HEX BOLT	16		M10x1.5-L25-FULL-PM
33	S5231001	HARDENED WASHER	16		D10-BO
34	S0165061	HEX BOLT	8		M16x2-L40-PM
35	S5231603	HARDENED WASHER	8		D16-Fe/Zn8/HB
36	S0169861	HEX BOLT	5		M20x2.5-L50-PM
37	S5232006	HARDENED WASHER	5		D20-DACROT
38	RJ122-0052	PLATE	1		
40	RJ123-0008	BRACKET	1		
41	RJ103-0093	BRACKET	1		

Fig. 09.020	COOLING GROUP
D700	RJ122-0030

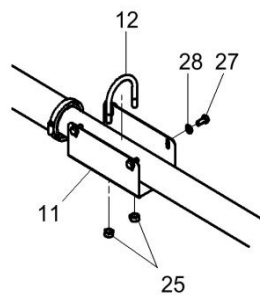
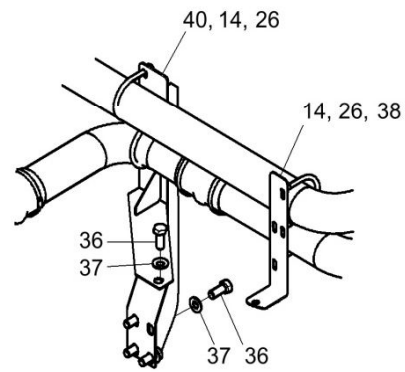
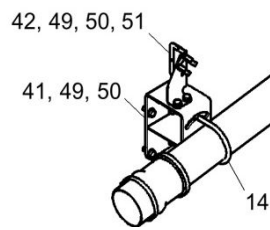
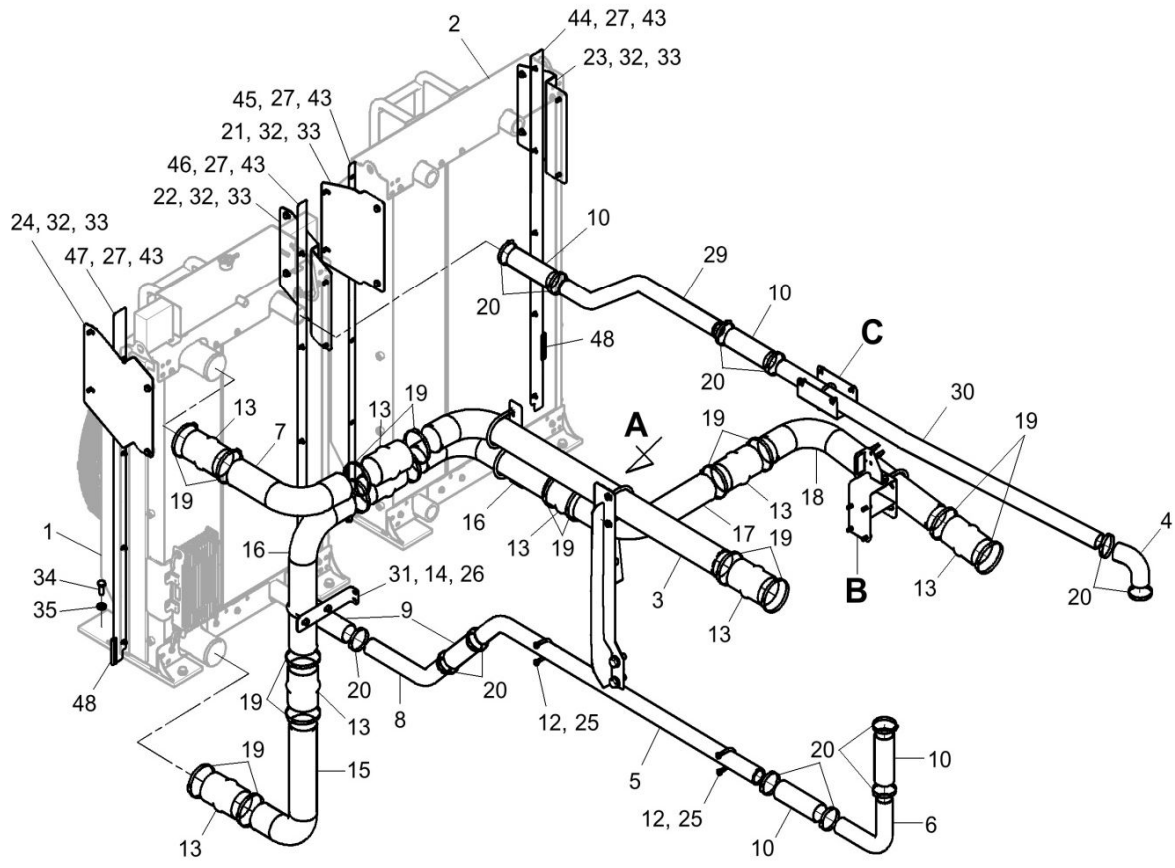


Fig.	09.020	COOLING GROUP
	D700	RJ122-0030

Item	Part Number	Part Name	Qty	See Fig.	Remarks
42	RJ103-0100	PLATE	1		
43	S5230803	HARDENED WASHER	13		D8-Fe/Zn8/HB
44	RJ122-0062	PLATE	1		
45	RJ122-0063	PLATE	1		
46	RJ122-0064	PLATE	1		
47	RJ122-0065	PLATE	1		
48	RA400-0191	WEATHER STRIP	4		
49	S5231003	HARDENED WASHER	6		D10-Fe/Zn8/HB
50	S0112263	HEX BOLT	6		M10x1.5-L30-FULL-ZPC3
51	S4012603	HEX NUT	2		M10x1.5-Sty.2-ZPC3

EOL

Fig. 09.030	OIL COOLING MODULE
D700	RJ122-0002

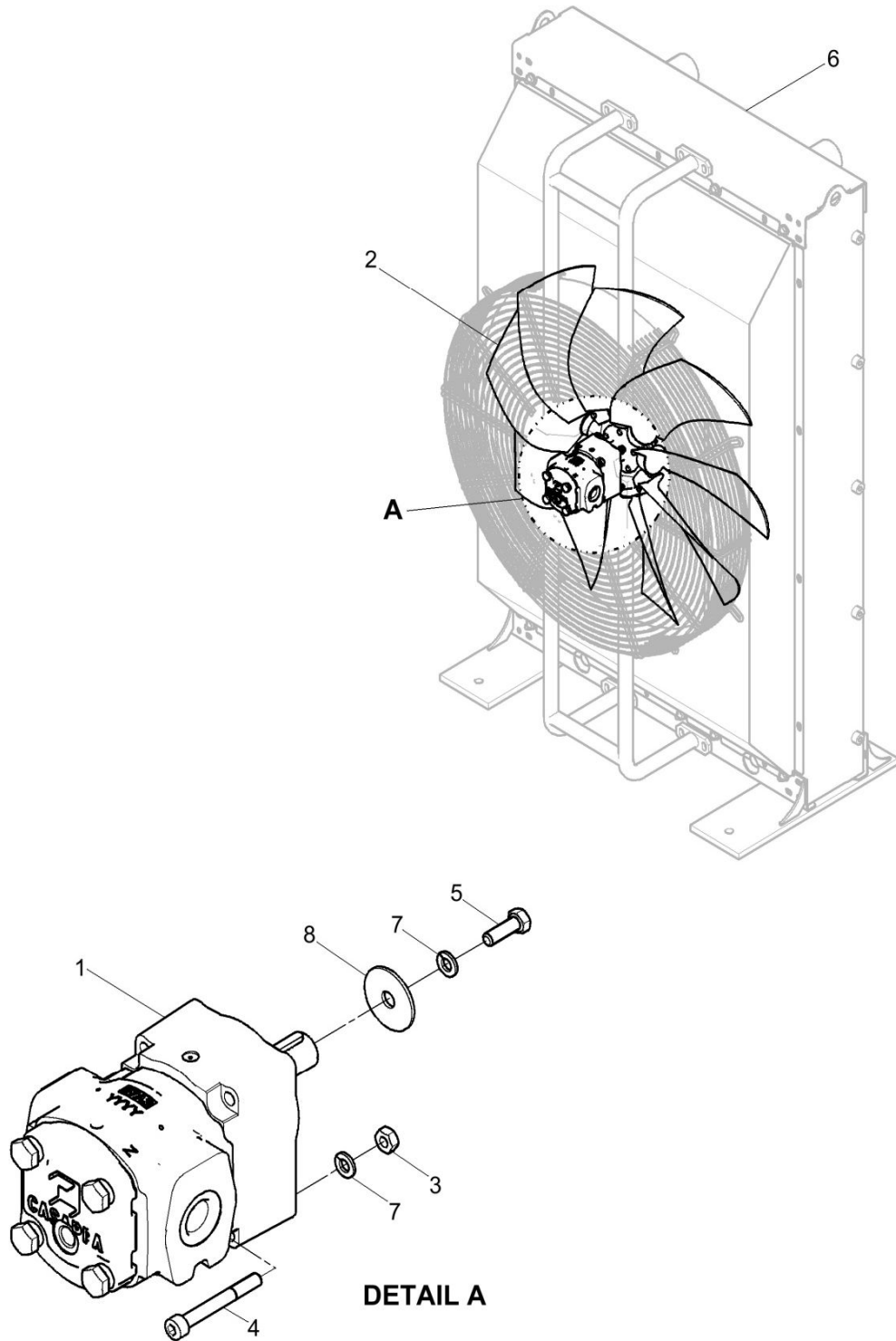


Fig.	09.030	OIL COOLING MODULE
	D700	RJ122-0002

Item	Part Number	Part Name	Qty	See Fig.	Remarks
1	RJ122-0039	MOTOR	1		
2	RJ122-0038	FAN	1		
3	S4012531	HEX NUT	4		M8x1.25-Sty.2-PM
4	S2209961	SOCKET BOLT	4		M8x1.25-L65-PM
5	S0109063	HEX BOLT	1		M8x1.25-L25-FULL-ZPC3
6	RJ122-0041 A	OIL COOLER ASSY	1		
7	S5100502	SPRING WASHER	5		D8-PM
8	D-59001809	PLAIN WASHER	1		
EOL					

Fig. 09.040	COOLING MODULE
D700	RJ122-0001 A

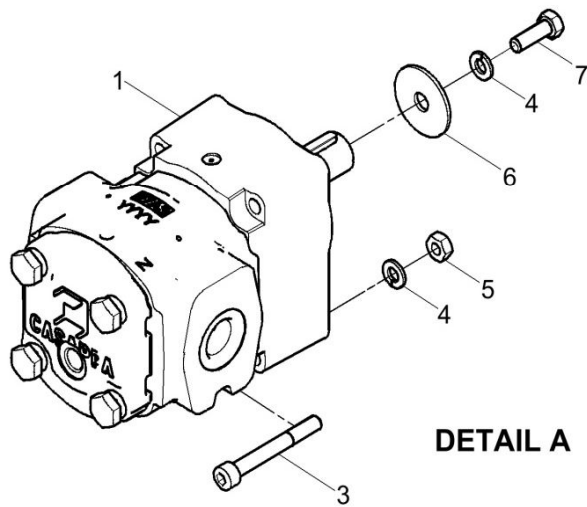
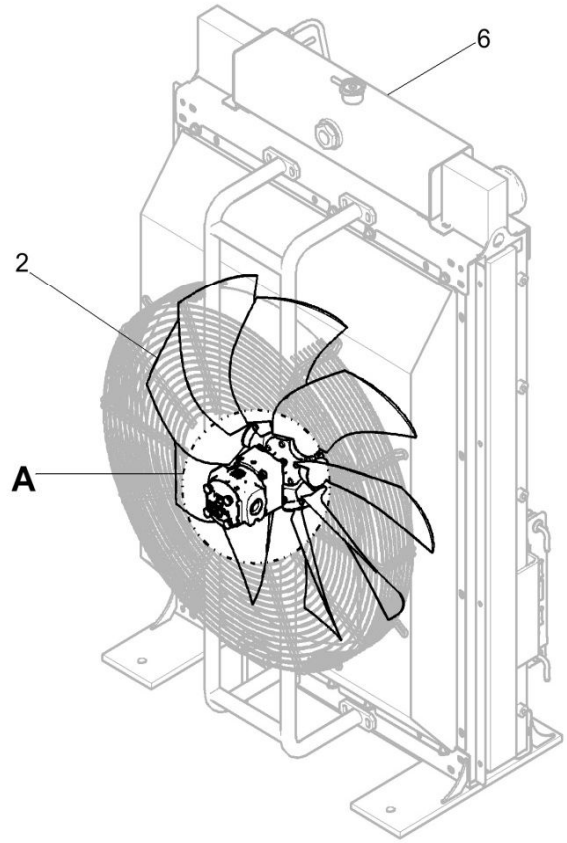


Fig.	09.040	COOLING MODULE
	D700	RJ122-0001 A

Item	Part Number	Part Name	Qty	See Fig.	Remarks
1	RJ122-0039	MOTOR	1		
2	RJ122-0038	FAN	1		
3	S2209961	SOCKET BOLT	4		M8x1.25-L65-PM
4	S5100502	SPRING WASHER	5		D8-PM
5	S4012531	HEX NUT	4		M8x1.25-Sty.2-PM
6	D-59001809	PLAIN WASHER	1		
7	S0109063	HEX BOLT	1		M8x1.25-L25-FULL-ZPC3
8	RJ122-0077	COOLER ASSY	1		
EOL					

Fig. 09.050	INTAKE & EXHAUST
D700	RJ121-0006

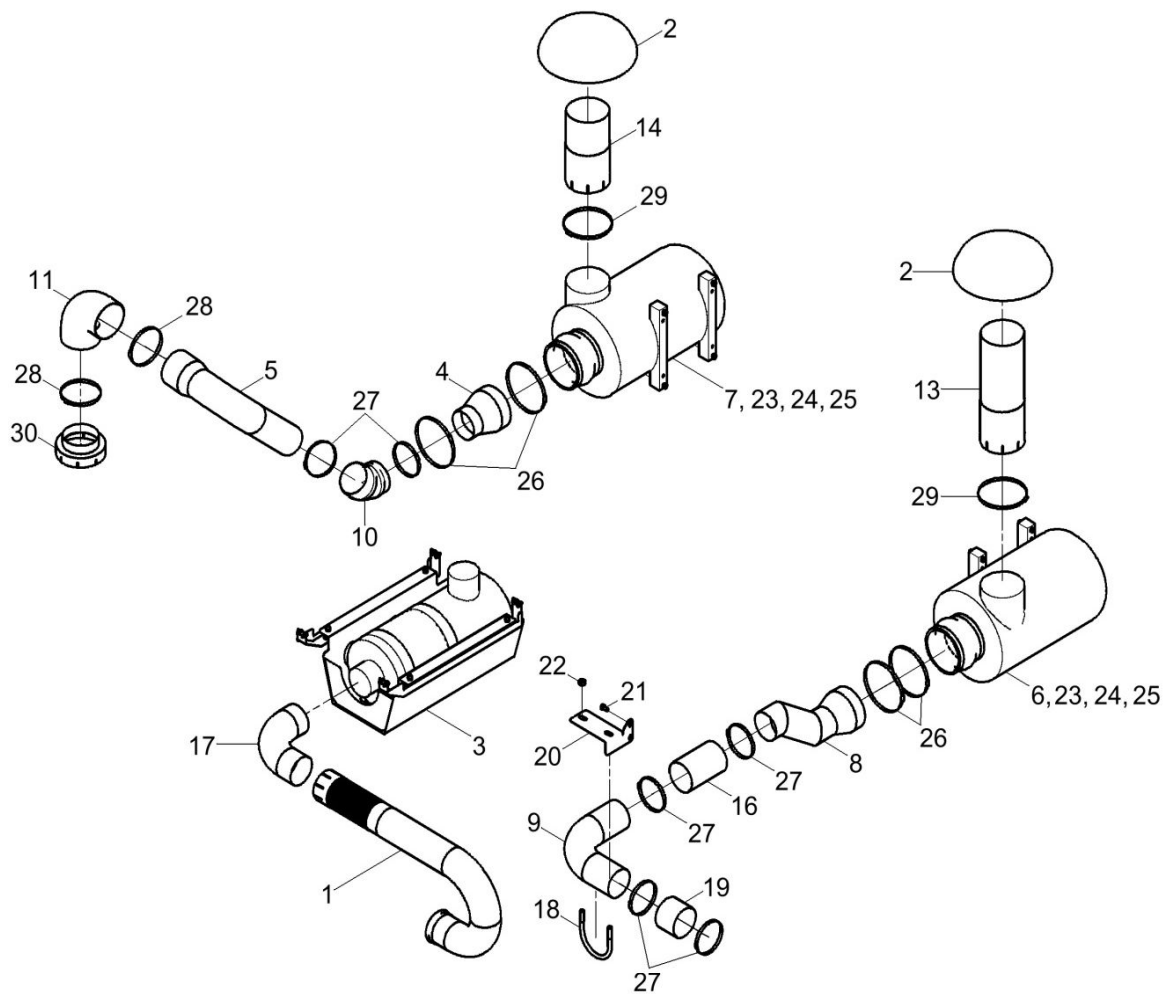


Fig.	09.050	INTAKE & EXHAUST
	D700	RJ121-0006

Item	Part Number	Part Name	Qty	See Fig.	Remarks
1	RJ121-0013	EXHAUST PIPE	1		
2	RJ121-0005	RAIN CAP	2		
3	RJ121-0011	MUFFLER ASSY	1	09.080	
4	RJ122-0037	REDUCER	1		
5	RJ121-0010	AIR INTAKE PIPE	1		
6	RJ121-0007	AIR CLEANER	1	09.060	
7	RJ121-0014	AIR CLEANER	1	09.070	
8	RJ121-0012	AIR INTAKE PIPE	1		
9	RJ121-0008	AIR INTAKE PIPE	1		
10	RJ121-0021	HOSE	1		
11	RJ121-0009	HOSE	1		
13	RJ121-0052	PIPE	1		
14	RJ121-0069	PIPE	1		
16	RJ121-0056	HOSE	1		
17	RJ121-0058	PIPE	1		
18	RJ122-0043	U BOLT	1		
19	RJ121-0055	HOSE	1		
20	RJ122-0042	PLATE	1		
21	S0115063	HEX BOLT	2		M12x1.75-L25-FULL-ZPC3
22	S4012903	HEX NUT	2		M16x2-Sty.2-ZPC3
23	S0113151	HEX BOLT	8		M10x1.5-L75-FULL-PM
24	S5231001	HARDENED WASHER	8		D10-BO
25	S4012633	HEX NUT	8		M10x1.5-Sty.2-ZPC3
26	S8450191	HOSE CLAMP	4		D191
27	S8450127	HOSE CLAMP	6		D127
28	S8450140	HOSE CLAMP	2		D140
29	S8450178	HOSE CLAMP	2		D178
30	RJ121-0062	CONNECTOR	1		
EOL					

Fig.	09.060	AIR CLEANER
	D700	RJ121-0007

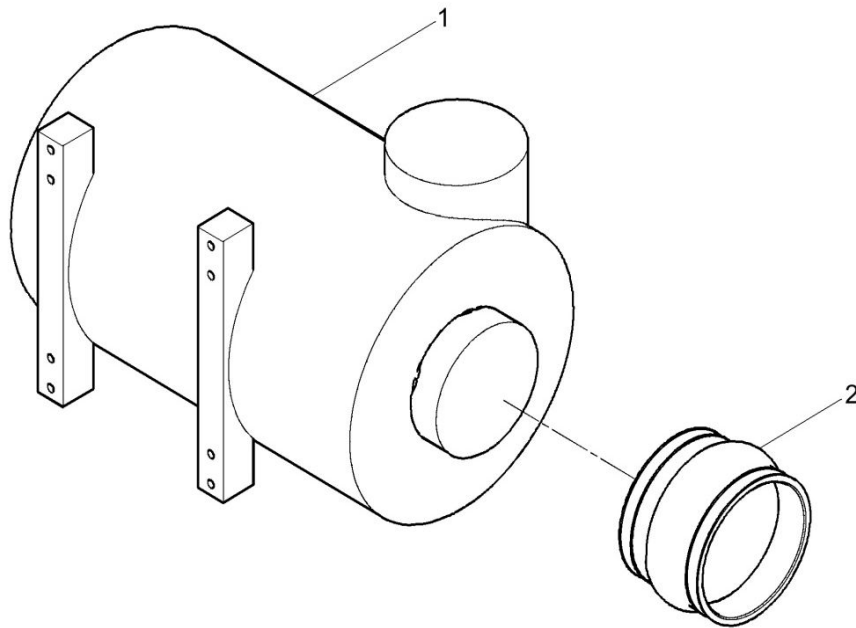


Fig.	09.060	AIR CLEANER
	D700	RJ121-0007

Item	Part Number	Part Name	Qty	See Fig.	Remarks
1	RJ121-0002	AIR CLEANER	1		
2	RJ121-0004	HOSE	1		
EOL					

Fig.	09.070	AIR CLEANER
	D700	RJ121-0014

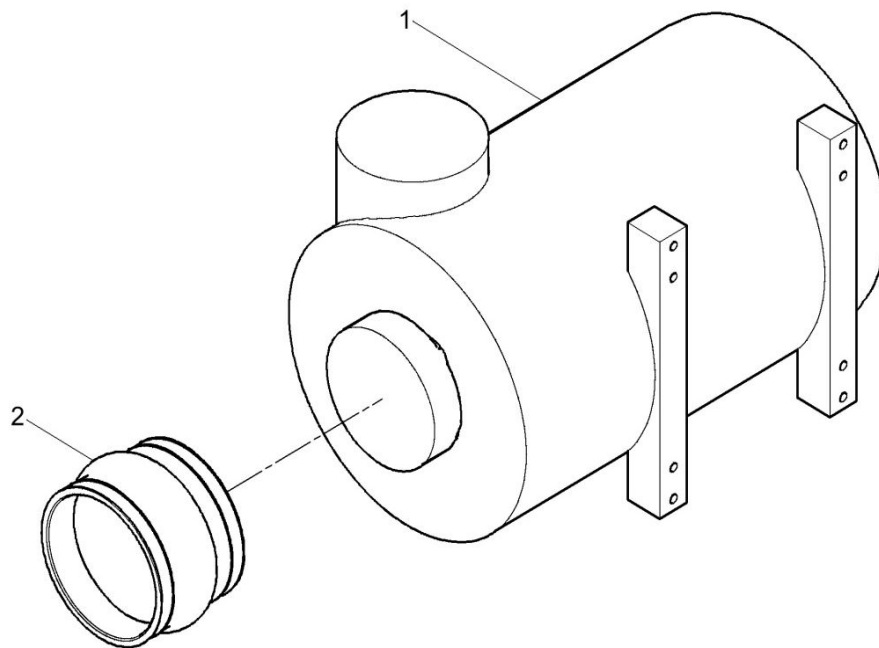


Fig.	09.070	AIR CLEANER
	D700	RJ121-0014

Item	Part Number	Part Name	Qty	See Fig.	Remarks
1	RJ121-0001	AIR CLEANER	1		
2	RJ121-0004	HOSE	1		
EOL					

Fig.	09.080	MUFFLER ASSY
	D700	RJ121-0011 A

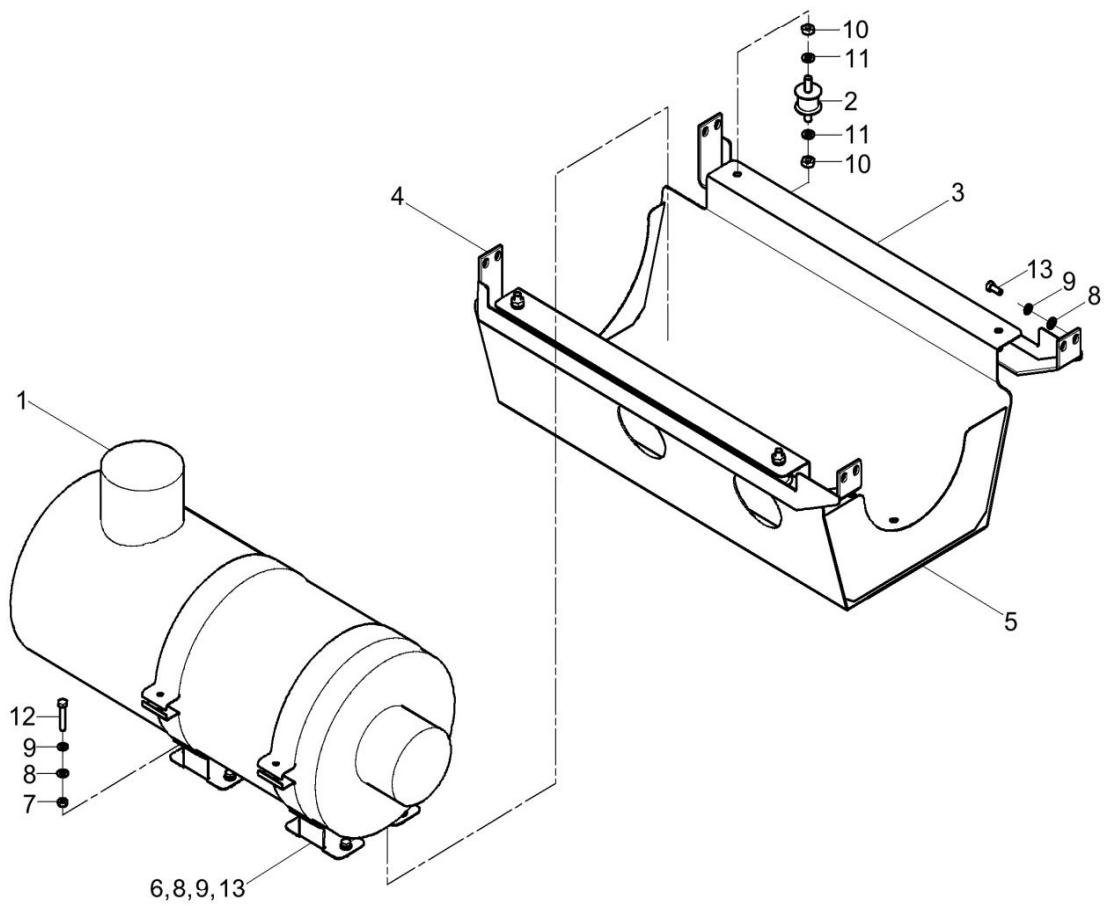


Fig.	09.080	MUFFLER ASSY
	D700	RJ121-0011 A

Item	Part Number	Part Name	Qty	See Fig.	Remarks
1	RJ121-0003	MUFFLER	1		
2	RJ121-0028	MOUNT RUBBER	4		
3	RJ121-0033	MUFFLER BRACKET	1		
4	RJ121-0034	MUFFLER BRACKET	1		
5	RJ121-0043	MUFFLER BOX ASSY	1		
6	RJ121-0040	BAND-MUFFLER	2		
7	S4012543	HEX NUT	2		M8x1.25-Sty.2-ZPC3
8	S5010501	PLAIN WASHER	18		D8-BO
9	S5100503	SPRING WASHER	18		D8-ZPC3
10	S4012633	HEX NUT	8		M10x1.5-Sty.2-ZPC3
11	S5100611	SPRING WASHER	8		D10-BO
12	S0109563	HEX BOLT	2		M8x1.25-L45-FULL-ZPC3
13	S0108861	HEX BOLT	16		M8x1.25-L20-FULL-PM
EOL					

Fig.	10.010	AIR END ASSY
	D700	RJ123-0003

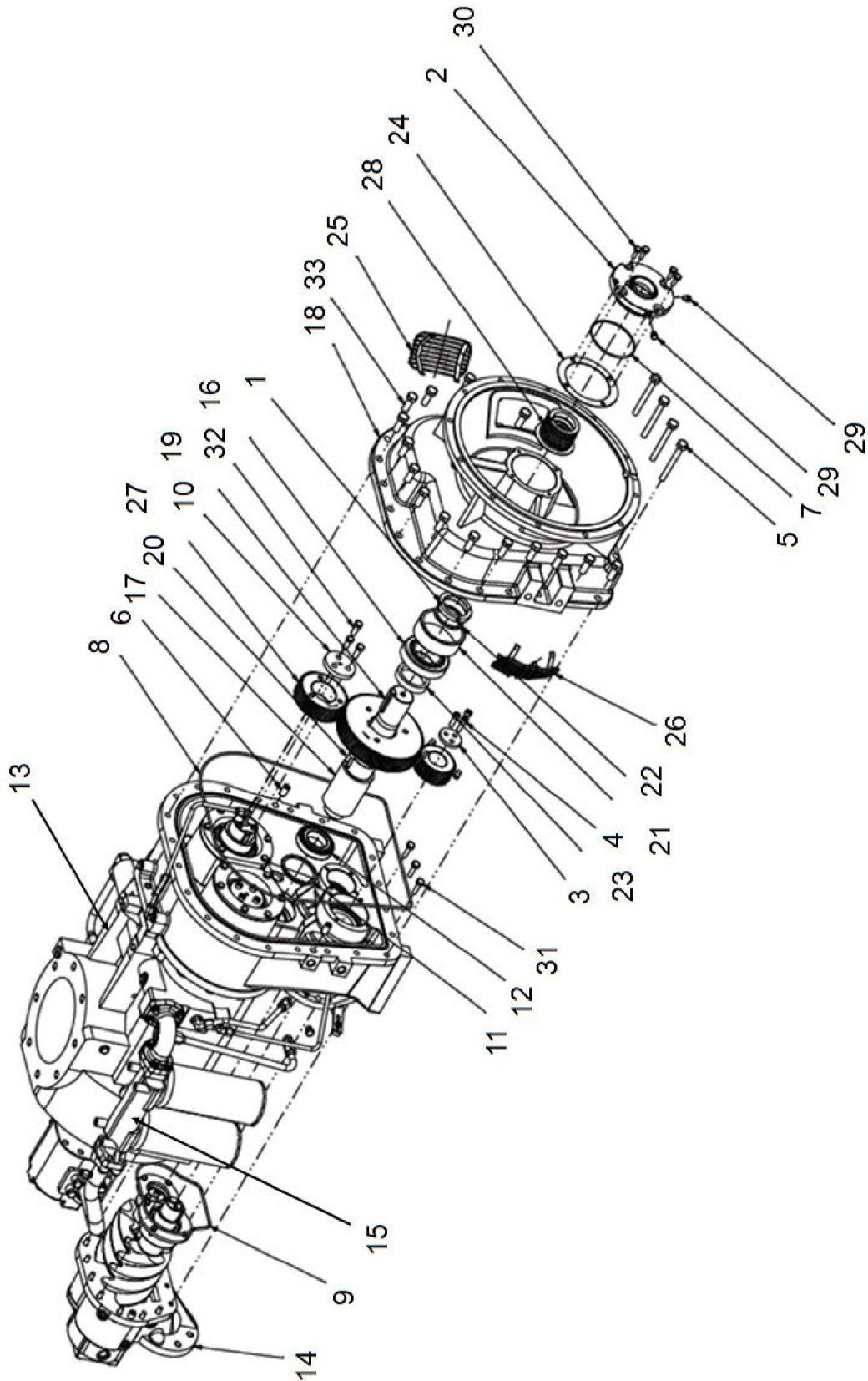


Fig.	10.010	AIR END ASSY
	D700	RJ123-0003

Item	Part Number	Part Name	Qty	See Fig.	Remarks
1	RJ123-0072	LOCK NUT	1		
2	RJ123-0073	COVER	1		
3	RJ123-0074	PLATE	1		
4	RJ123-0075	SCREW	3		
5	RJ123-0076	SCREW	4		
6	RJ123-0077	PIN	2		
7	RJ123-0078	O-RING	1		
8	RJ123-0079	O-RING	1		
9	RJ123-0080	SEAL	1		
10	RJ123-0081	PLATE	1		
11	RJ123-0082	SPACER	1		
12	RJ123-0083	BEARING	1		
13	RJ123-0084	LOW PRESSURE ASSY	1		
14	RJ123-0085	HIGH PRESSURE ASSY	1		
15	RJ123-0086	TUBE	1		
16	RJ123-0087	BEARING	1		
17	RJ123-0088	SHAFT	1		
18	RJ123-0089	KEY	1		
19	RJ123-0090	KEY	1		
20	RJ123-0091	KEY	1		
21	RJ123-0092	SPACER	1		
22	RJ123-0093	SPACER	1		
23	RJ123-0094	SPACER	1		
24	RJ123-0095	SHIM	1		
25	RJ123-0096	GUARD	1		
26	RJ123-0097	GUARD	1		
27	RJ123-0098	GEAR	1		
28	RJ123-0099	SEAL	1		
29	RJ123-0100	PLUG	2		
30	RJ123-0101	SCREW	4		
31	RJ123-0102	SCREW	3		
32	RJ123-0103	SCREW	3		
33	RJ123-0104	SCREW	18		

EOL

Fig.	10.010	UNLOAD VALVE
	D700	RJ123-0002

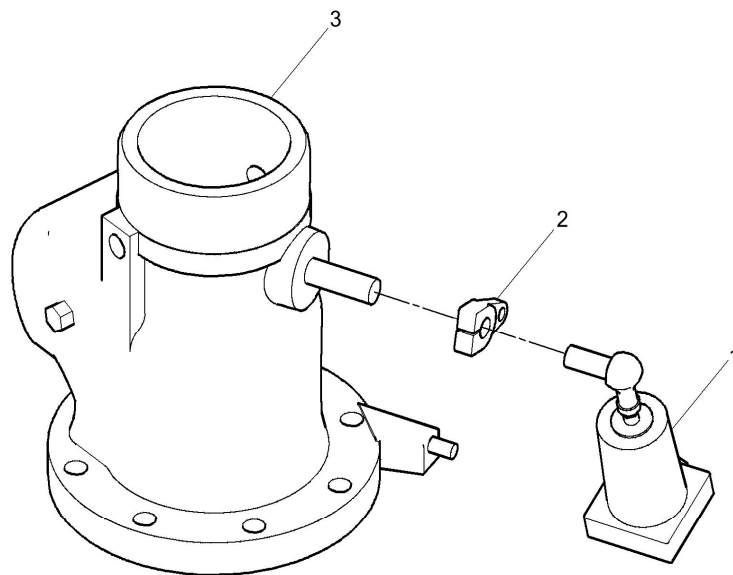


Fig.	10.010	UNLOAD VALVE
	D700	RJ123-0002

Item	Part Number	Part Name	Qty	See Fig.	Remarks
1	RJ123-0181	CYLINDER	1		
2	RJ123-0182	PLATE	1		
3	RJ123-0183	UNLOAD VALVE BODY	1		
EOL					

Fig.

10.010

RECEIVER TANK ASSY

D700

RJ123-0105 A

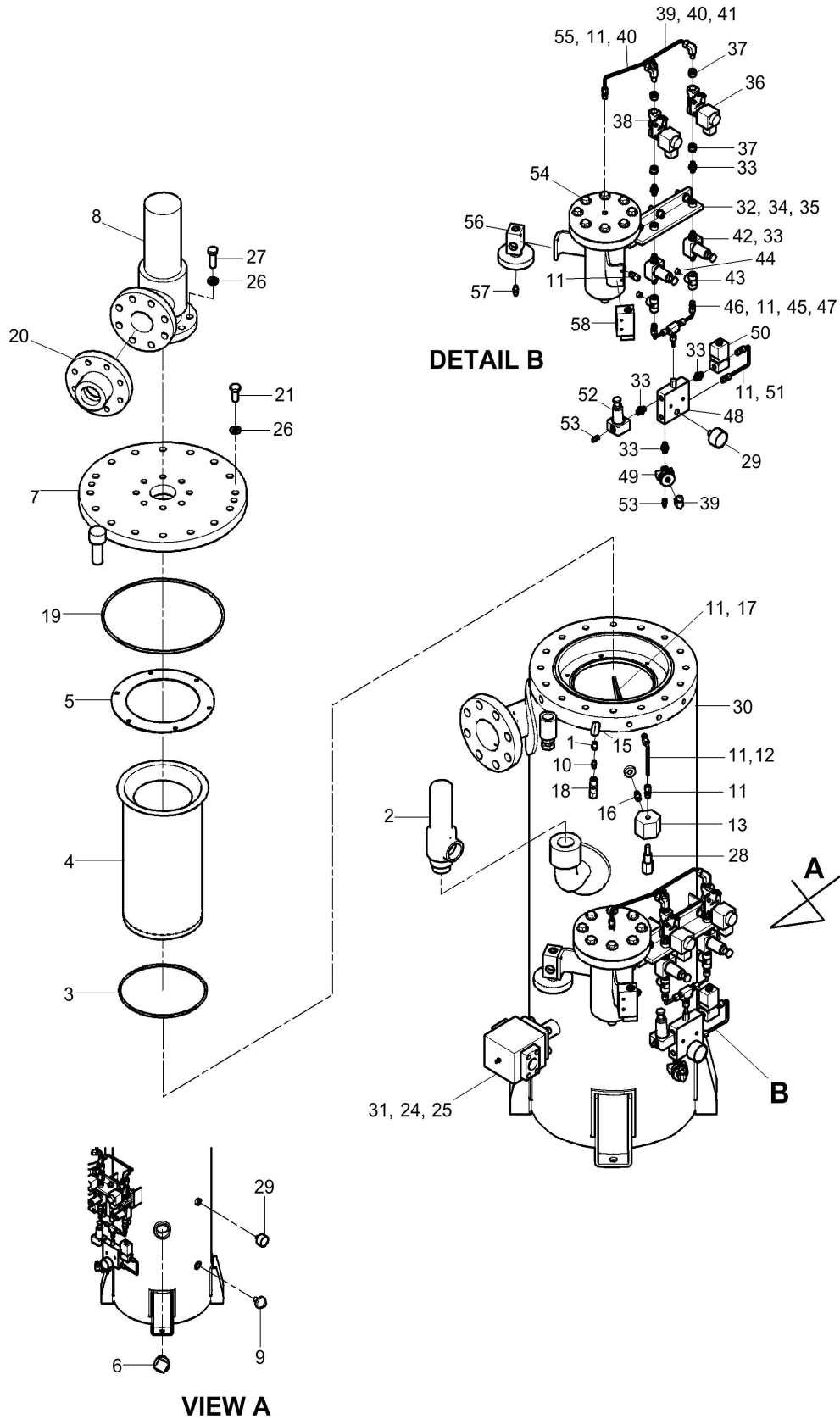


Fig.	10.010	RECEIVER TANK ASSY
	D700	RJ123-0105 A

Item	Part Number	Part Name	Qty	See Fig.	Remarks
1	RJ123-0113	BUSH	2		
2	RJ123-0135	SAFETY VALVE	1		
3	RJ123-0119	O-RING	1		
4	RJ123-0133	OIL SEARATOR	1		
5	RJ123-0140	PLATE	1		
6	RJ123-0117	PLUG	1		
7	RJ123-0116	COVER	1		
8	RJ123-0128	VALVE	1		
9	RJ123-0130	GAUGE	1		
10	RJ123-0121	NIPPLE	1		
11	RJ123-0127	CONNECTOR	11		
12	RJ123-0132	PIPE	1		
13	RJ123-0126	PRESSURE SWITCH	1		
15	RJ123-0141	CONNECTOR	1		
16	RJ123-0123	NUT	1		
17	RJ123-0131	RETURN PIPE	1		
18	RJ123-0115	CHECK VALVE	1		
19	RJ123-0120	O-RING	1		
20	RJ123-0118	FLANGE	1		
21	RJ123-0124	BOLT	16		
24	RJ123-0136	BOLT	4		
25	RJ123-0138	WASHER	4		
26	RJ123-0139	WASHER	24		
27	RJ123-0122	BOLT	8		
28	RJ123-0129	INDICATOR	1		
29	RJ123-0134	PRESSURE GAUGE	2		
30	RJ123-0106 A	RECEIVER TANK	1		
31	RJ123-0142	BY PASS ASSY	1		
32	RJ123-0178	BRACKET	1		
33	RA300-4103	NIPPLE	9		PT1/4 PT1/4
34	S5102703	SPRING WASHER	6		D12-ZPC3
35	S2215461	SOCKET BOLT	6		M12x1.75-L40-PM
36	RJ123-0108	SOLENOID VALVE	1		
37	RA312-0104	ADAPTER	4		PT1/4 - PT1/2
38	RJ123-0107	SOLENOID VALVE	1		
39	RJ123-0184	CONNECTOR	2		
40	RJ123-0185	CONNECTOR	1		
41	RJ123-0186	TUBE	1		
42	RJ123-0070	PROPORTIONAL CONTROL VALVE	2		
43	RA310-1102	TEE	2		PT1/4

Fig.

10.010

RECEIVER TANK ASSY

D700

RJ123-0105 A

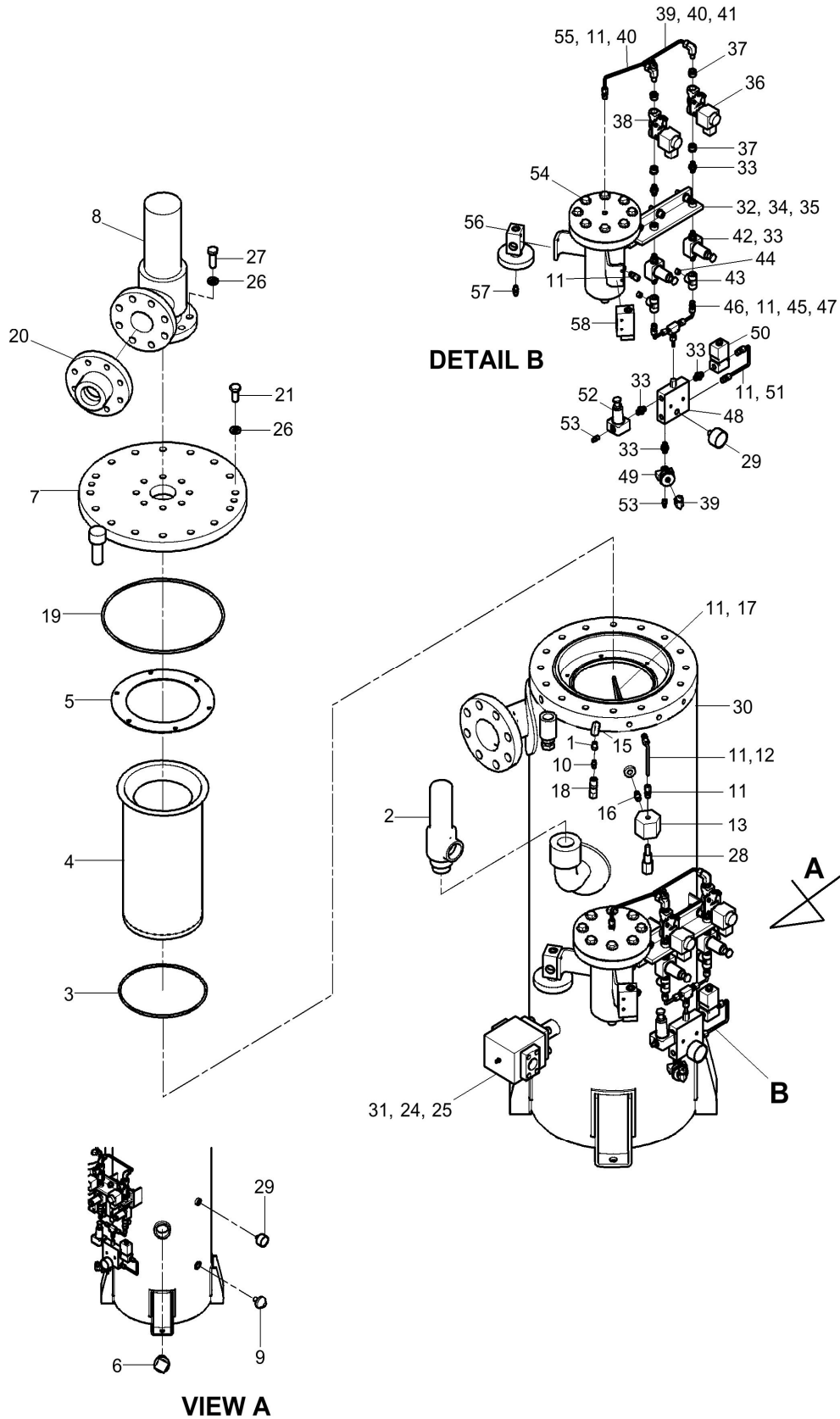


Fig.	10.010	RECEIVER TANK ASSY
	D700	RJ123-0105 A

Item	Part Number	Part Name	Qty	See Fig.	Remarks
44	S5810020	PLUG	2		PT 1/4
45	RJ123-0187	TUBE	2		
46	RJ123-0068	SELECTOR	1		
47	RJ123-0194	CONNECTOR	1		
48	RJ123-0179	DIVIDER VALVE	1		
49	RJ123-0066	VENTING VALVE	1		
50	RJ123-0109	SOLENOID VALVE	1		
51	RJ123-0188	TUBE	1		
52	RJ123-0069	PROPORTIONAL CONTROL VALVE	1		
53	RJ123-0189	SILENCER	2		
54	RJ123-0180	FILTER HOUSING	1		
55	RJ123-0190	TUBE	1		
56	RJ123-0063	VALVE	1		
57	RA300-1102	NIPPLE	1		PT 1/8 * UNF 1/2-20
58	RJ123-0067	VENTING VALVE	1		

EOL

Fig.	11.010	MAIN LINE
	D700	RJ124-0001 A

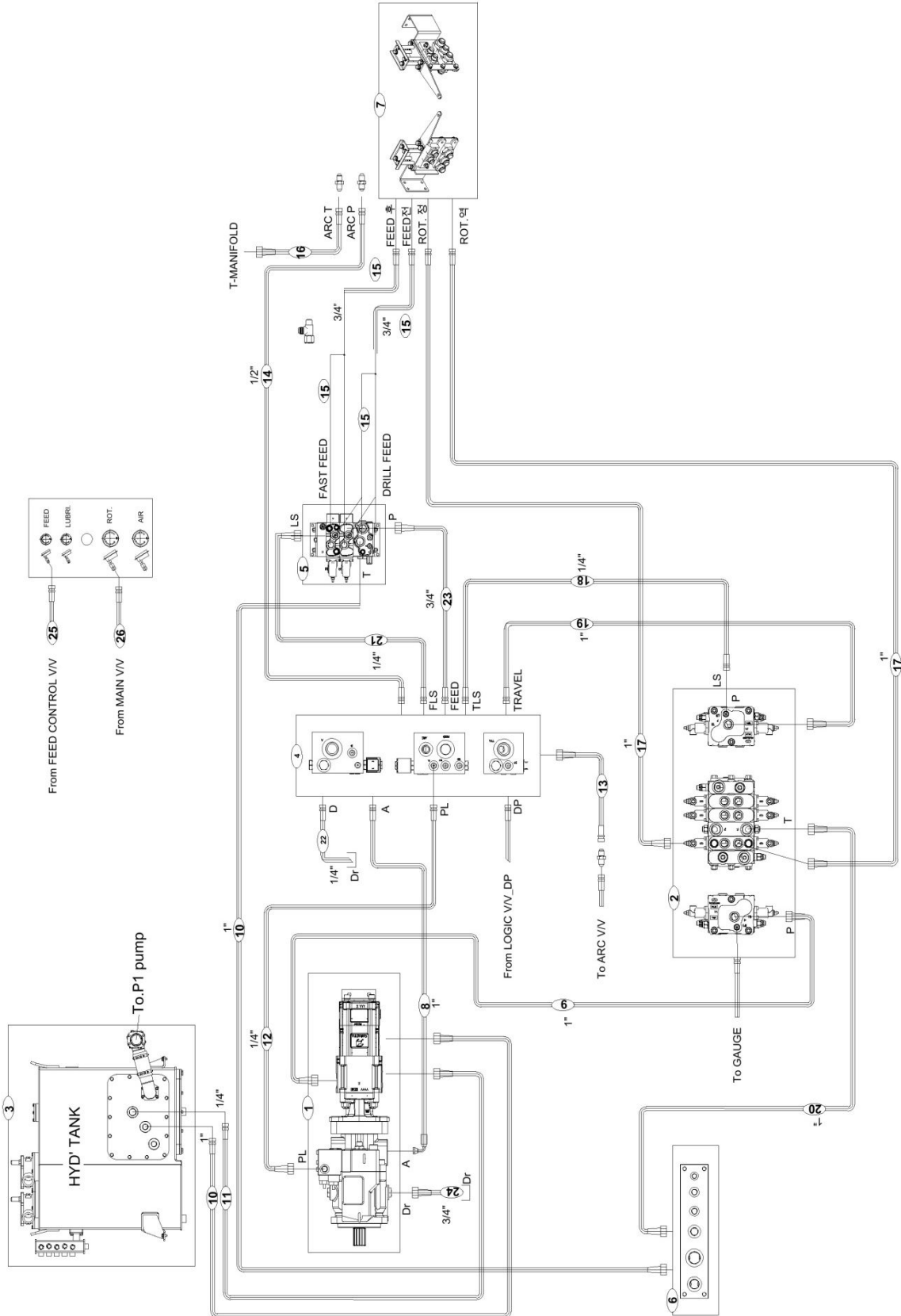


Fig.	11.010	MAIN LINE
	D700	RJ124-0001 A

Item	Part Number	Part Name	Qty	See Fig.	Remarks
1	RJ124-0013	PUMP FITTING ASSY	1	11.020	
2	RJ124-0017	MAIN VALVE FITTING ASSY	1	11.030	
3	RJ124-0015	HYD. FITTING ASSY	1	11.040	
4	RJ124-0062	MAIN BLOCK FITTING ASSY	1	11.050	
5	RJ124-0014	FITTING ASSY	1	11.060	
6	RJ124-0018	T-MANIFOLD FITTING ASSY	1	11.070	
7	RJ124-0019	HOSE TERMINAL FITTING ASSY	1	11.080	
8	RA246-5591D075	HYD HOSE	1		
9	RA290-5560D130	HYD HOSE	1		
10	RA290-5520D105	HYD HOSE	2		
11	RA290-5620D100	HYD HOSE	1		
12	RA211-5140D100	HYD. HOSE	1		
13	RA211-5130D290	HYD. HOSE	1		
14	RA211-5360D260	HYD HOSE	1		
15	RA211-5470D215	HYD HOSE	4		
16	RA211-5330D300	HYD HOSE	1		
17	RA211-5560D215	HYD HOSE	2		
18	RA211-5130D095	HYD. HOSE	1		
19	RA290-5560D088	HYD HOSE	1		
20	RA290-5520D110	HYD HOSE	1		
21	RA211-5130D090	HYD. HOSE	1		
22	RA211-5130D500	HYD. HOSE	1		
23	RA245-5440D075	HYD HOSE	1		
24	RA211-5420D310	HYD HOSE	1		
25	RA299-0022	GAUGE HOSE	1		
26	RA299-0023	GAUGE HOSE	1		

EOL

Fig. 11.020	PUMP FITTING ASSY
D700	RJ124-0013

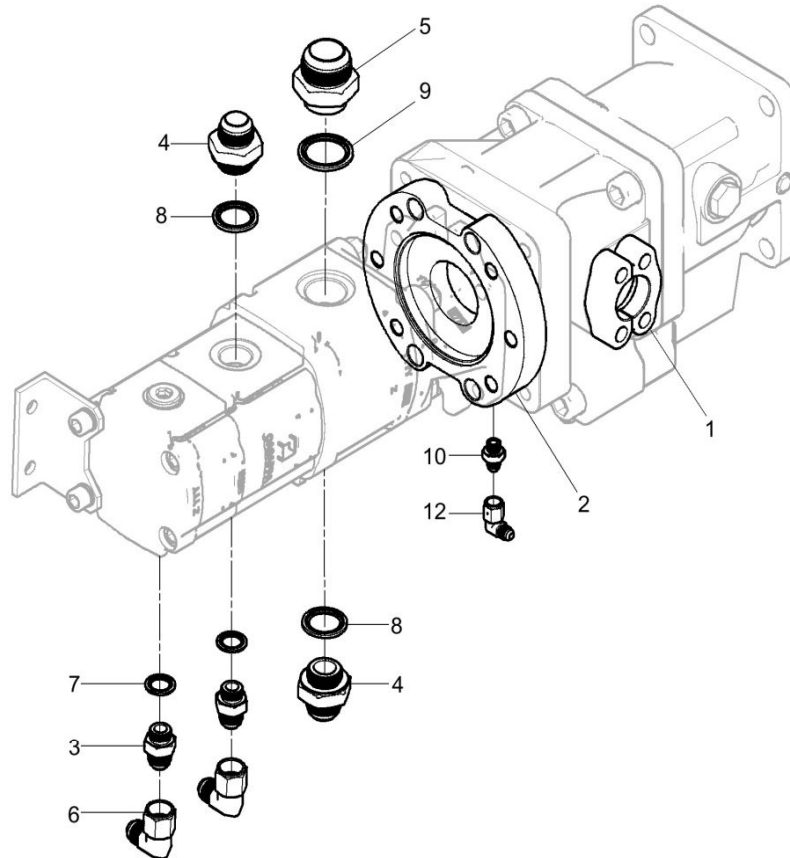


Fig.	11.020	PUMP FITTING ASSY
	D700	RJ124-0013

Item	Part Number	Part Name	Qty	See Fig.	Remarks
1	RA321-8114	FLANGE	1		
2	RJ103-0064	FLANGE	1		
3	RA307-6116	ADAPTER	2		UNF7/8-PF1/2
4	RA307-6123	ADAPTER	2		UNF15/16-PF1
5	RA307-6127	ADAPTER	1		UNF 1 7/8 - PF 1 1/4
6	RA305-7105	ELBOW	2		UNF7/8
7	D-55010300	U-SEAL	2		G1/2
8	D-55010700	U-SEAL	2		G1
9	D-55010200	U SEAL	1		
10	RA307-6106	ADAPTER	1		UNF1/2-PF1/4
11	S8000141	O-RING	1		P14-1B
12	RA305-7102	ELBOW	1		UNF1/2

EOL

Fig. 11.030	MAIN VALVE FITTING ASSY
D700	RJ124-0017

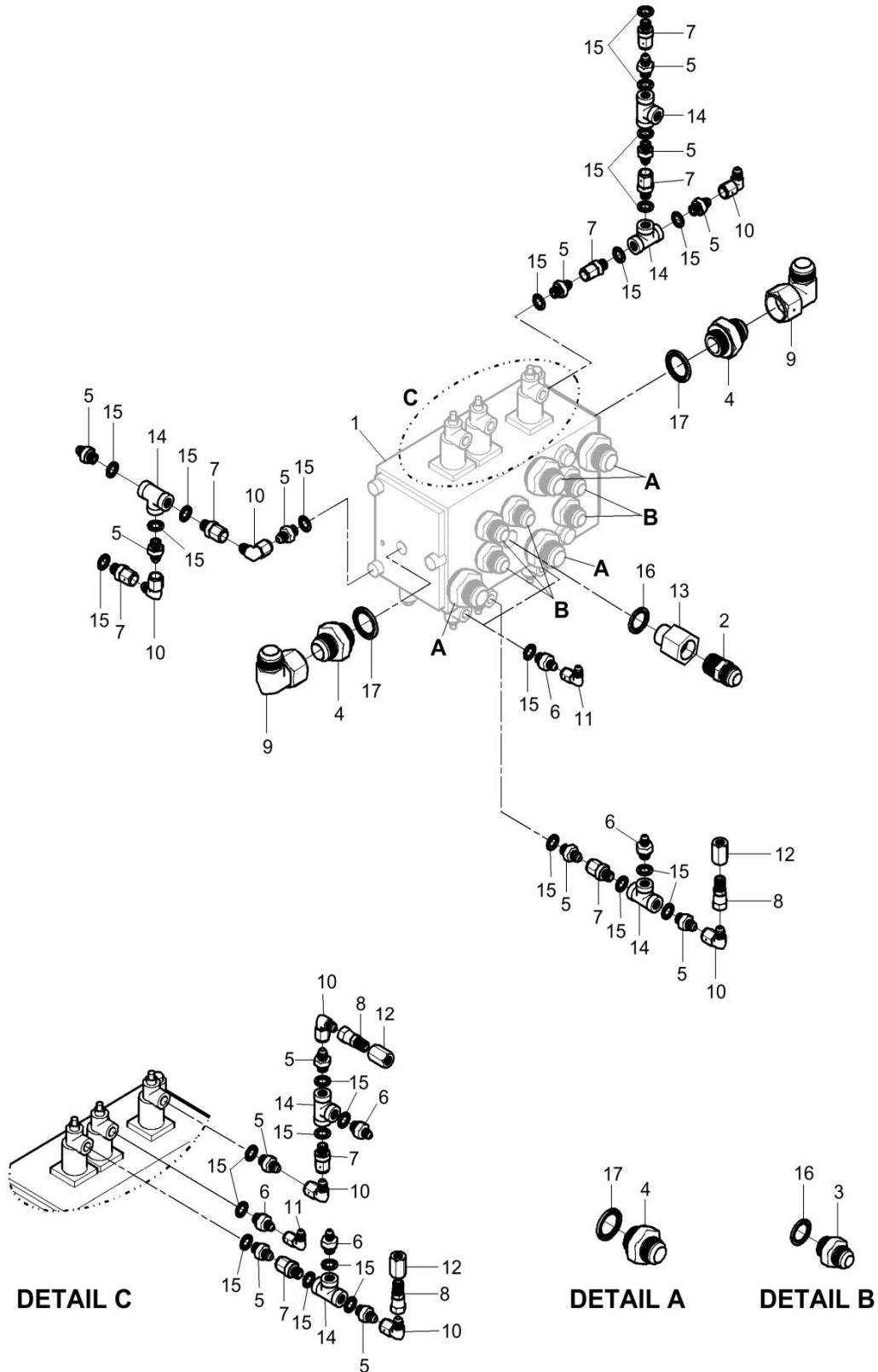


Fig.	11.030	MAIN VALVE FITTING ASSY
	D700	RJ124-0017

Item	Part Number	Part Name	Qty	See Fig.	Remarks
1	RJ150-0008	VALVE	1		
2	RA300-1114	NIPPLE	1		PT3/4-UNF1 1/16
3	RA307-6119	ADAPTER	5		PF3/4-UNF1 1/16
4	RA307-6123	ADAPTER	6		UNF15/16-PF1
5	RA307-6106	ADAPTER	13		UNF1/2-PF1/4
6	RA307-6102	ADAPTER	6		PF1/4-UNF 7/16-20
7	RA307-5104	ADAPTER	8		PF1/4-UNF1/2
8	RA307-3104	ADAPTER	3		PT1/4 UNF1/2
9	RA305-7107	ELBOW	2		UNF1 5/16-12
10	RA305-7102	ELBOW	7		UNF1/2
11	RA305-7101	ELBOW	3		UNF 7/16 90°
12	RA313-0102	SOCKET	3		PT1/4-PT1/4
13	RA311-8104	ADAPTER	1		G 3/4 * PT 3/4
14	RA314-0102	TEE	6		PF1/4
15	D-55010400	U-SEAL	27		G1/4
16	D-55010500	U-SEAL	6		G3/4
17	D-55010700	U-SEAL	6		G1

EOL

Fig.	11.040	HYD. FITTING ASSY
	D700	RJ124-0015

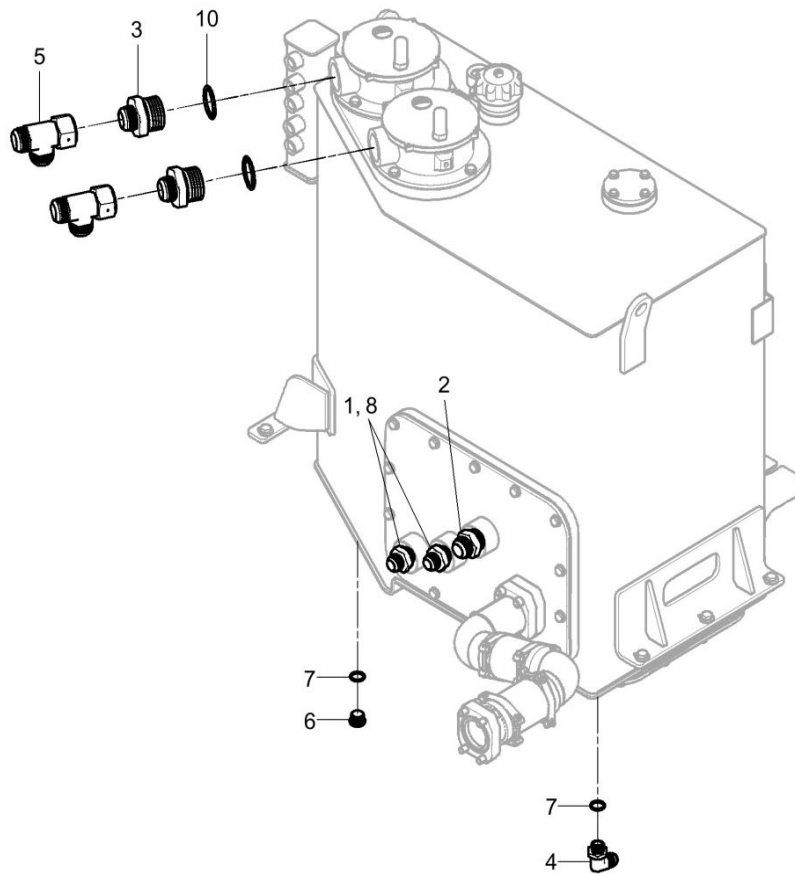


Fig.	11.040	HYD. FITTING ASSY
	D700	RJ124-0015

Item	Part Number	Part Name	Qty	See Fig.	Remarks
1	RA307-6123	ADAPTER	2		UNF15/16-PF1
2	RA307-6126	ADAPTER	1		PF1 1/4-UNF 1 5/8-12
3	RA307-6129	ADAPTER	2		UNF1 7/8 - PF 2
4	RA303-0119	ELBOW	1		PF3/4-UNF1 1/16
5	RA305-9109	TEE	2		UNF 1 7/8
6	RA312-5105	PLUG	1		PF3/4
7	S8000241	O-RING	2		P24-1B
8	S8000291	O-RING	2		P29-1B
9	S8000381	O-RING	1		P38-1B
10	S8000551	O-RING	2		P55-1B

EOL

Fig.

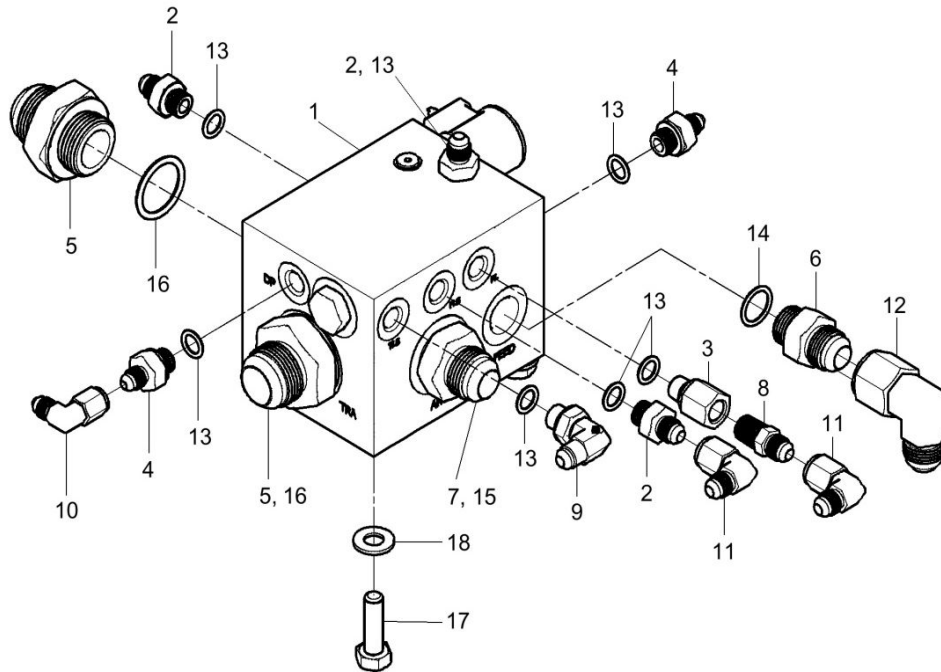
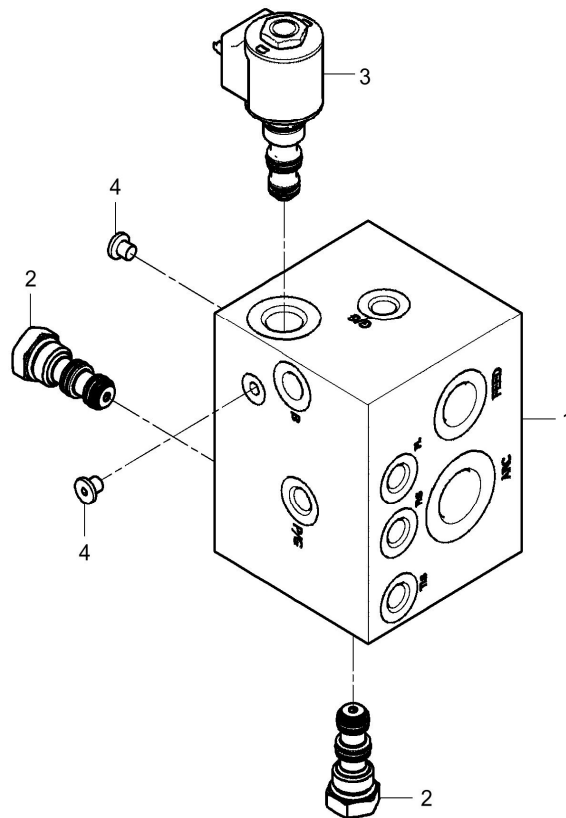
11.050**MAIN BLOCK FITTING ASSY****D700****RJ124-0062**

Fig.	11.050	MAIN BLOCK FITTING ASSY
	D700	RJ124-0062

Item	Part Number	Part Name	Qty	See Fig.	Remarks
1	RJ150-0022 A	MAIN BLOCK FITTING ASSY	1		
2	RA307-6106	ADAPTER	3		UNF1/2-PF1/4
3	RA311-8101	ADAPTER	1		PF1/4-PT1/4
4	RA307-6102	ADAPTER	2		PF1/4-UNF 7/16-20
5	RA307-6123	ADAPTER	2		UNF15/16-PF1
6	RA307-6116	ADAPTER	1		UNF7/8-PF1/2
7	RA307-6119	ADAPTER	1		PF3/4-UNF1 1/16
8	RA300-1104	NIPPLE	1		PT1/4-UNF1/2
9	RA303-0106	ELBOW	1		UNF1/2-20 - PF1/4-19
10	RA305-7101	ELBOW	1		UNF 7/16 90도
11	RA305-7102	ELBOW	2		UNF1/2
12	RA305-7105	ELBOW	1		UNF7/8
13	S8000111	O-RING	7		P11-1B
14	S8000181	O-RING	1		P18-1B
15	S8000241	O-RING	1		P24-1B
16	S8000291	O-RING	2		P29-1B
17	S0112353	HEX BOLT	4		M10x1.5-L35-FULL-ZPC3
18	S5231003	HARDENED WASHER	4		D10-Fe/Zn8/HB

EOL

Fig. 11.050	Fig. PILOT CONTROL VALVE
D700	RJ150-0022 B



11.050**PILOT CONTROL VALVE****D700****RJ150-0022 B**

Item	Part Number	Part Name	Qty	See Fig.	Remarks
1	RJ150-0084	BODY	1		
2	RJ150-0085	VALVE	2		
3	RJ150-0090	SOLENOID VALVE	1		
4	RJ150-0089	PLUG	2		
EOL					

Fig.	11.060	FITTING ASSY
	D700	RJ124-0014

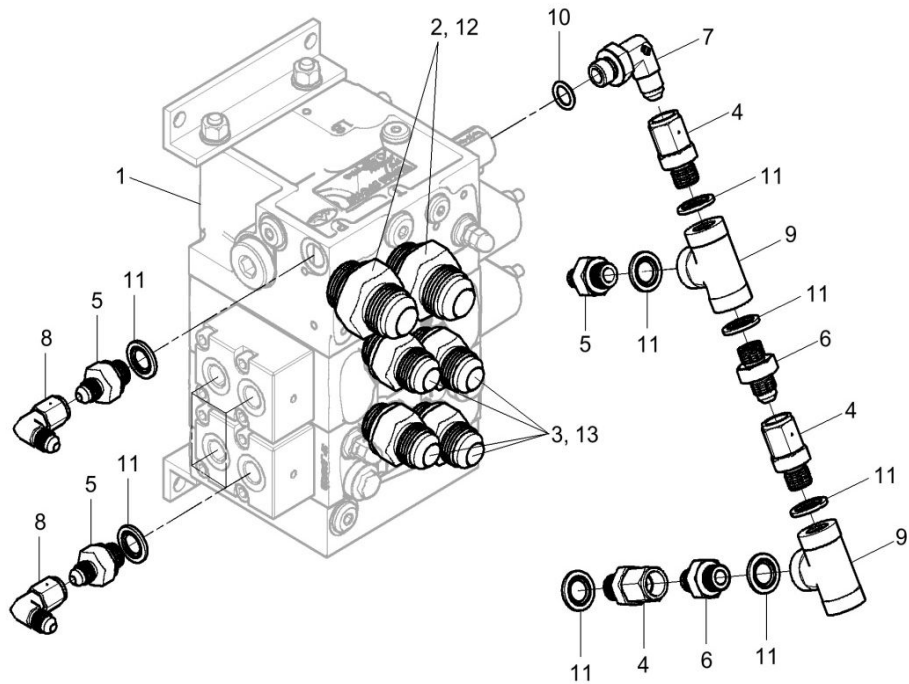


Fig.	11.060	FITTING ASSY
	D700	RJ124-0014

Item	Part Number	Part Name	Qty	See Fig.	Remarks
1	RJ150-0007	MAIN VALVE	1		
2	RA307-6119	ADAPTER	2		PF3/4-UNF1 1/16
3	RA307-6116	ADAPTER	4		UNF7/8-PF1/2
4	RA307-5104	ADAPTER	3		PF1/4-UNF1/2
5	RA307-6102	ADAPTER	6		PF1/4-UNF 7/16-20
6	RA307-6106	ADAPTER	2		UNF1/2-PF1/4
7	RA303-0106	ELBOW	1		UNF1/2-20 - PF1/4-19
8	RA305-7101	ELBOW	5		UNF 7/16 90도
9	RA314-0102	TEE	2		PF1/4
10	S8000111	O-RING	1		P11-1B
11	D-55010400	U-SEAL	11		G1/4
12	D-55010500	U-SEAL	2		G3/4
13	D-55010300	U-SEAL	4		G1/2

EOL

Fig.

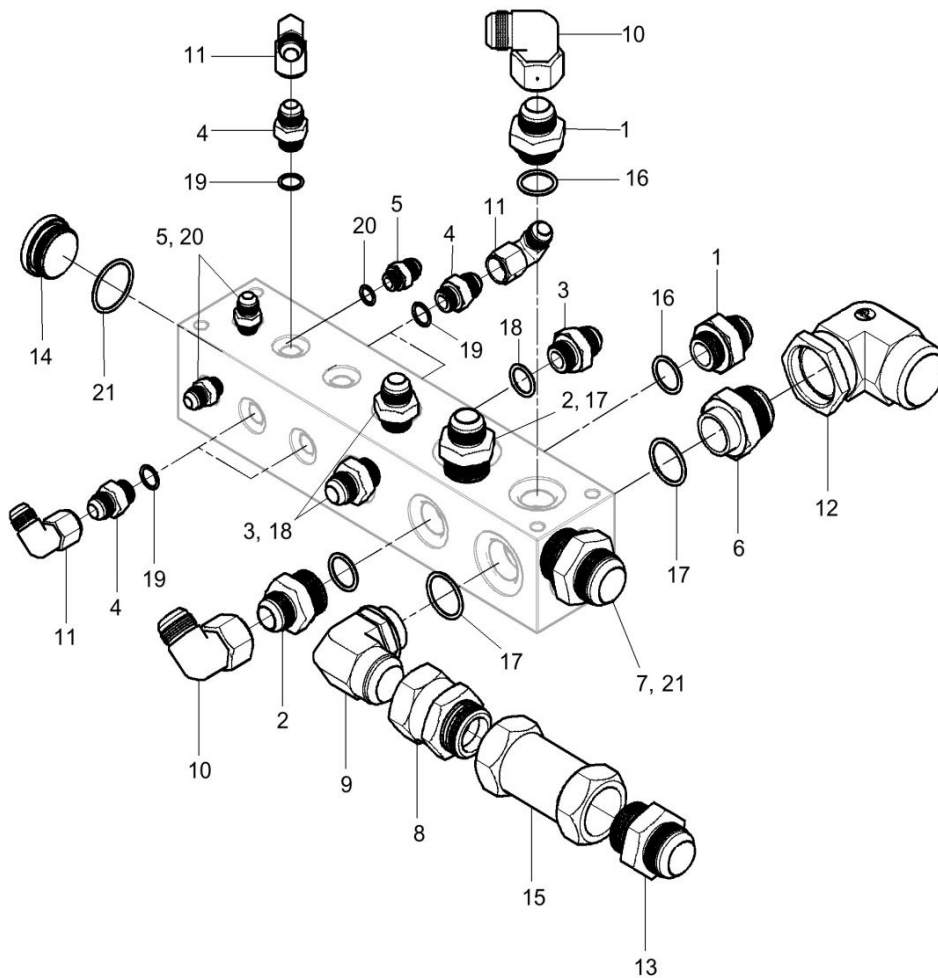
11.070**T-MANIFOLD FITTING ASSY****D700****RJ124-0018**

Fig.	11.070	T-MANIFOLD FITTING ASSY
	D700	RJ124-0018

Item	Part Number	Part Name	Qty	See Fig.	Remarks
1	RA307-6123	ADAPTER	2		UNF15/16-PF1
2	RA307-6124	ADAPTER	2		UNF1 5/16-PF1 1/4
3	RA307-6119	ADAPTER	3		PF3/4-UNF1 1/16
4	RA307-6116	ADAPTER	6		UNF7/8-PF1/2
5	RA307-6112	ADAPTER	3		UNF3/4-PF3/8
6	RA307-6127	ADAPTER	1		UNF 1 7/8 - PF 1 1/4
7	RA307-6128	ADAPTER	1		UNF1.7/8 PF1.1/2
8	RA307-3126	ADAPTER	1		UNF 1 7/8-PT 1 1/2
9	RA303-0127	ELBOW	1		PF 1 1/2 * UNF 1 7/8-12
10	RA305-7107	ELBOW	2		UNF1 5/16-12
11	RA305-7105	ELBOW	6		UNF7/8
12	RA305-7109	SWIVEL ELBOW	1		UNF 1 7/8-12
13	RA300-1123	NIPPLE	1		PT1.1/2 UNF1.7/8
14	RA312-5108	PLUG	1		PF 1 1/2
15	D-57054800	INLINE CHECK VALVE	1		PT1 1/2
16	S8000291	O-RING	3		P29-1B
17	S8000381	O-RING	3		P38-1B
18	S8000241	O-RING	3		P24-1B
19	S8000181	O-RING	6		P18-1B
20	S8000141	O-RING	3		P14-1B
21	S8000441	O RING	2		P44-1B

EOL

Fig.

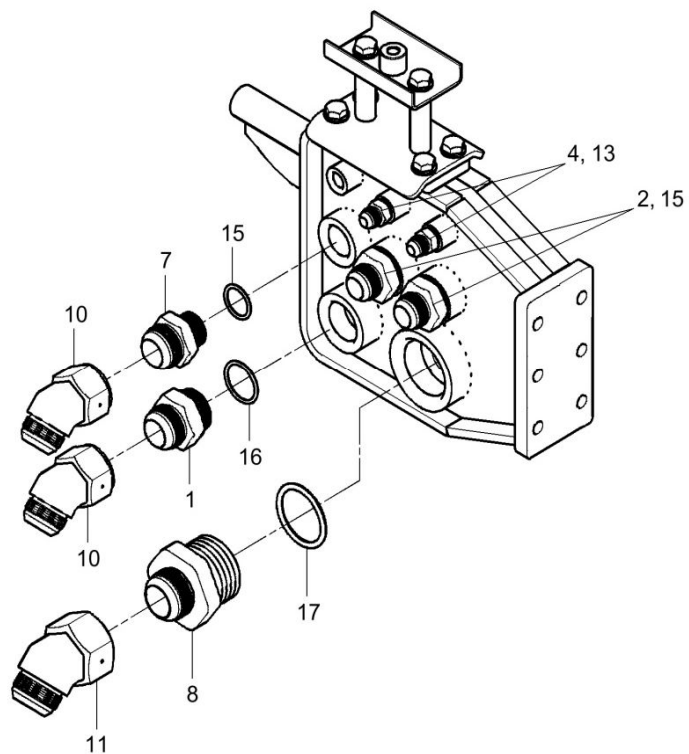
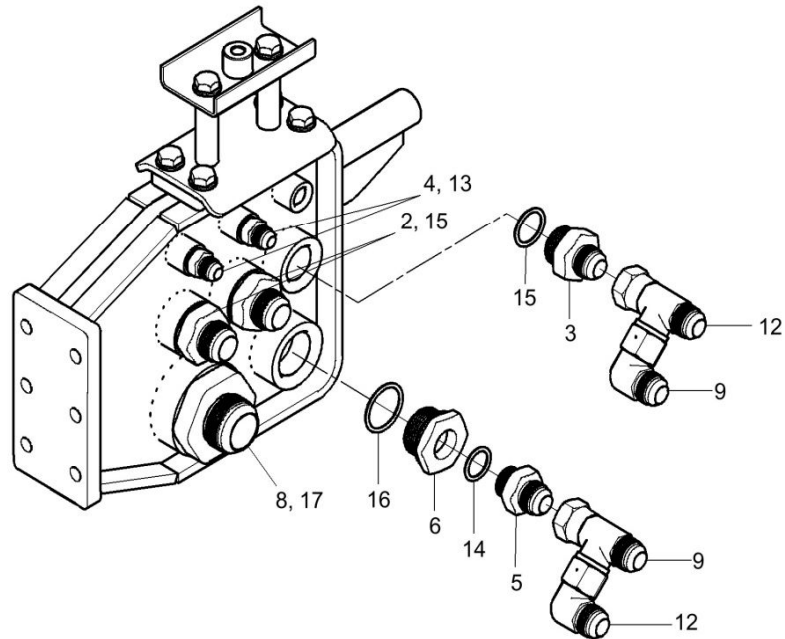
11.080**HOSE TERMINAL FITTING ASSY****D700****RJ124-0019**

Fig.	11.080	HOSE TERMINAL FITTING ASSY
	D700	RJ124-0019

Item	Part Number	Part Name	Qty	See Fig.	Remarks
1	RA307-6126	ADAPTER	1		PF1 1/4-UNF 1 5/8-12
2	RA307-6123	ADAPTER	4		UNF15/16-PF1
3	RA307-6120	ADAPTER	1		PF1-UNF1 1/16
4	RA307-6112	ADAPTER	4		UNF3/4-PF3/8
5	RA307-6119	ADAPTER	1		PF3/4-UNF1 1/16
6	RA311-6109	ADAPTER	1		PF 1 1/4 - PF 3/4
7	RA307-6125	HOSE TERMINAL FITTING ASSY	1		PF1-UNF 1 5/8
8	RA307-6129	ADAPTER	2		UNF1 7/8 - PF 2
9	RA305-7106	ELBOW	2		UNF1 1/16-12
10	RA305-8108	ELBOW	2		UNF 1 5/8
11	RA305-8109	HOSE TERMINAL FITTING ASSY	1		UNF1 7/8
12	RA305-9106	TEE	2		UNF1 1/16-12
13	S8000141	O-RING	4		P14-1B
14	S8000241	O-RING	1		P24-1B
15	S8000291	O-RING	6		P29-1B
16	S8000381	O-RING	2		P38-1B
17	S8000551	O-RING	2		P55-1B

EOL

Fig. 11.090	TRAVEL LINE
D700	RJ124-0002 A

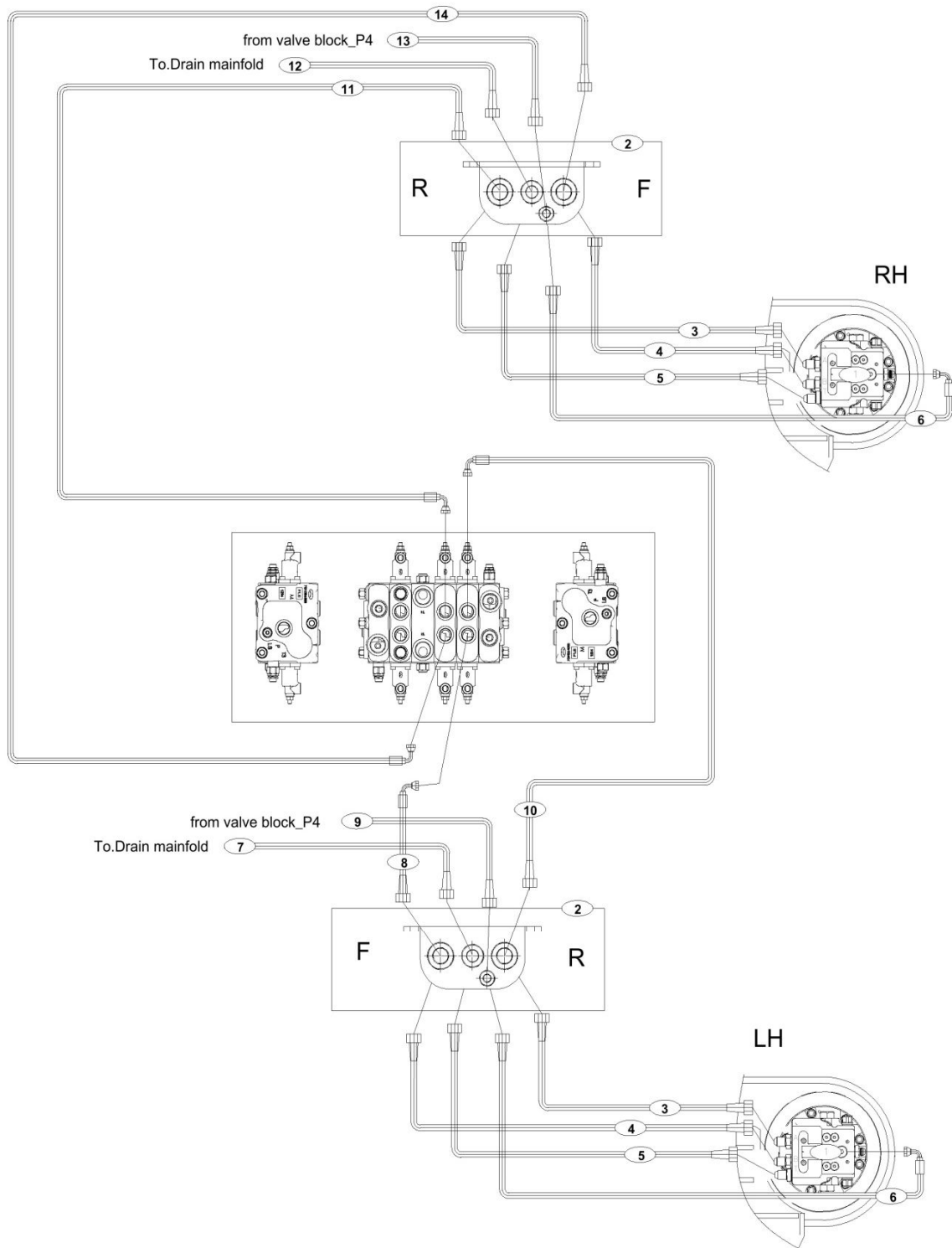


Fig. 11.090	TRAVEL LINE
D700	RJ124-0002 A

Item	Part Number	Part Name	Qty	See Fig.	Remarks
1	RJ124-0021	TRAVEL VALVE FITTING ASSY	2	11.100	
2	RJ124-0020	HOSE TERMINAL FITTING ASSY	2	11.110	
3	RA290-5471D092	HYD HOSE	2		
4	RA290-5471D095	HYD HOSE	2		
5	RA211-5331D095	HYD HOSE	2		
6	RA290-5121D130	HYD HOSE	2		
7	RA211-5330D275	HYD HOSE	1		
8	RA290-5470D230	HYD HOSE	1		
9	RA211-5120D270	HYD. HOSE	1		
10	RA290-5470D220	HYD HOSE	1		
11	RA290-5470D115	HYD HOSE	1		
12	RA211-5330D355	HYD HOSE	1		
13	RA211-5120D130	HYD. HOSE	2		
14	RA290-5470D110	HYD HOSE	1		

EOL

Fig. 11.100	TRAVEL VALVE FITTING ASSY
D700	RJ124-0021

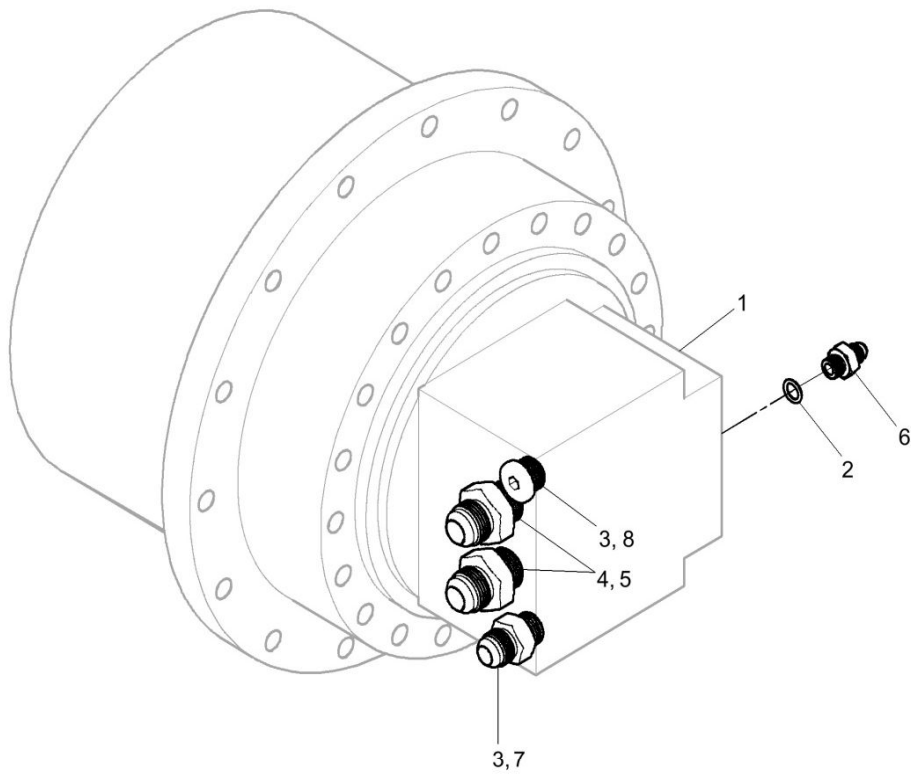


Fig.	11.100	TRAVEL VALVE FITTING ASSY
	D700	RJ124-0021

Item	Part Number	Part Name	Qty	See Fig.	Remarks
1	RJ150-0010	TRAVEL MOTOR	1		
2	S8000111	O-RING	1		P11-1B
3	S8000181	O-RING	2		P18-1B
4	S8000241	O-RING	2		P24-1B
5	RA307-6119	ADAPTER	2		PF3/4-UNF1 1/16
6	RA307-6106	ADAPTER	1		UNF1/2-PF1/4
7	RA307-6116	ADAPTER	1		UNF7/8-PF1/2
8	RA312-5104	PLUG	1		PF1/2
EOL					

Fig. 11.110	HOSE TERMINAL FITTING ASSY
D700	RJ124-0020

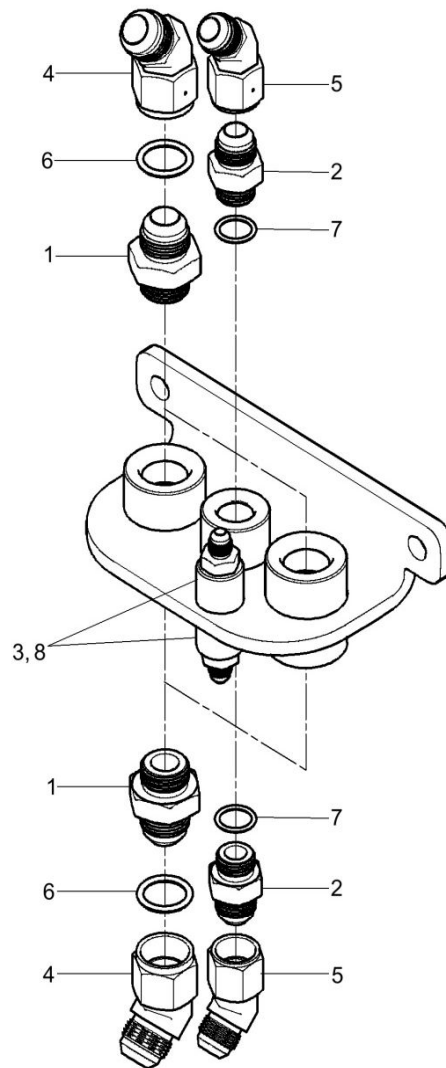


Fig.	11.110	HOSE TERMINAL FITTING ASSY
	D700	RJ124-0020

Item	Part Number	Part Name	Qty	See Fig.	Remarks
1	RA307-6119	ADAPTER	4		PF3/4-UNF1 1/16
2	RA307-6116	ADAPTER	2		UNF7/8-PF1/2
3	RA307-6106	ADAPTER	2		UNF1/2-PF1/4
4	RA305-8106	ELBOW	4		UNF 1 1/16 45도
5	RA305-8105	ELBOW	2		UNF 7/8 45도
6	S8000241	O-RING	4		P24-1B
7	S8000181	O-RING	2		P18-1B
8	S8000111	O-RING	2		P11-1B
EOL					

Fig.	11.120	PILOT LINE
	D700	RJ124-0003 A

Item	Part Number	Part Name	Qty	See Fig.	Remarks
1	RJ124-0026	FITTING ASSY	1	11.130	
2	RJ124-0025	PILOT CONTROL BLOCK FITTING ASS'	1	11.140	
3	RJ124-0023	FITTING ASSY	1	11.150	
4	RJ124-0022	TRAVEL PILOT JOYSTICK	1	11.160	
5	RJ124-0024	FITTING ASSY	1	11.170	
6	RJ124-0016	BLOCK FITTING ASSY	1	11.180	
7	RA290-5030D300	HYD HOSE	6		
8	RA290-5030D180	HYD HOSE	7		
9	RA211-5030D150	HYD HOSE	8		
10	RA211-5120D180	HYD. HOSE	1		
11	RA211-5030D410	HYD HOSE	1		
12	RA211-5030D340	HYD HOSE	1		
13	RA290-5120D350	HYD HOSE	4		
14	RA211-5030D335	HYD HOSE	4		
15	RA211-5120D420	HYD. HOSE	1		
16	RA290-5030D120	HYD HOSE	4		
17	RA290-5030D090	HYD HOSE	2		
18	RA290-5030D070	HYD HOSE	1		
19	RA290-5120D070	HYD HOSE	1		
20	RA211-5120D250	HYD. HOSE	1		

EOL

Fig. 11.130	FITTING ASSY
D700	RJ124-0026

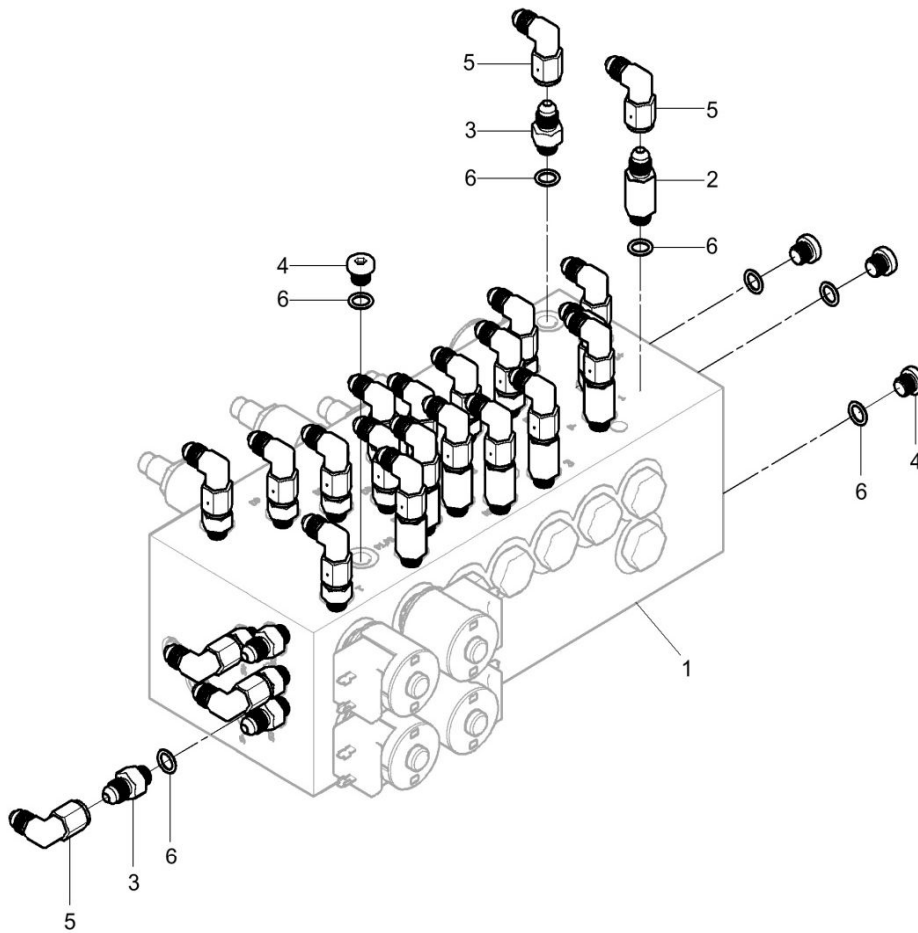
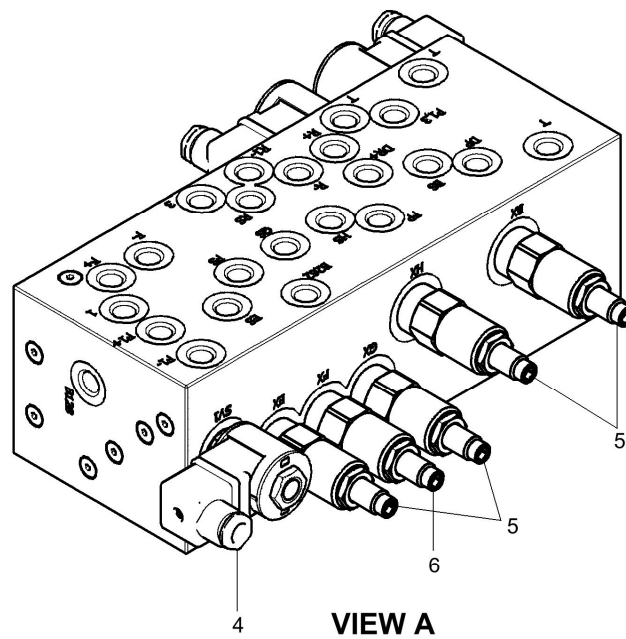
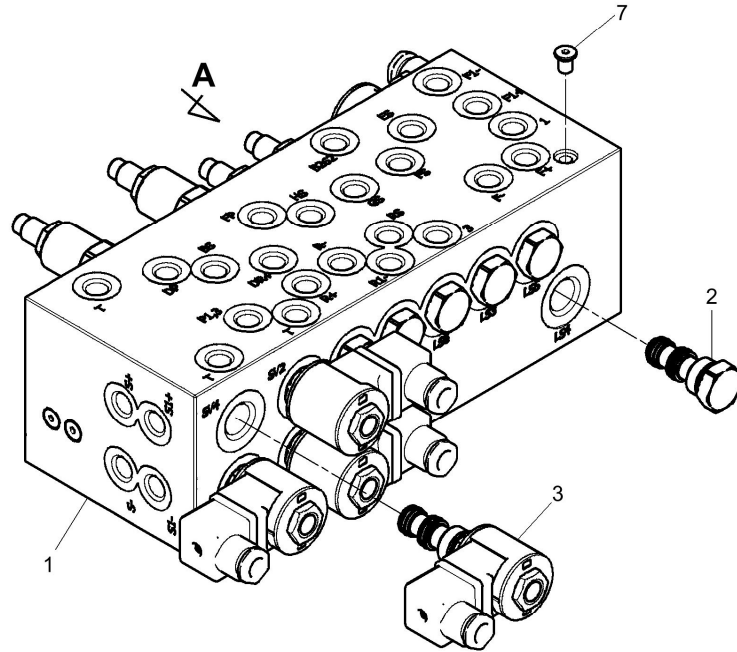


Fig.	11.130	FITTING ASSY
	D700	RJ124-0026

Item	Part Number	Part Name	Qty	See Fig.	Remarks
1	RJ150-0016	VALVE	1		
2	RA350-0043	ADAPTER	7		PF1/8-UNF 7/16- L50
3	RA307-6101	ADAPTER	18		PF1/8-UNF 7/16
4	RA312-5101	PLUG	5		PF1/8-28
5	RA305-7101	ELBOW	23		UNF 7/16 90도
6	S8000091	O-RING	30		P9-1B

EOL

Fig. 11.130	Fig. LOGIC VALVE
D700	RJ150-0016 A

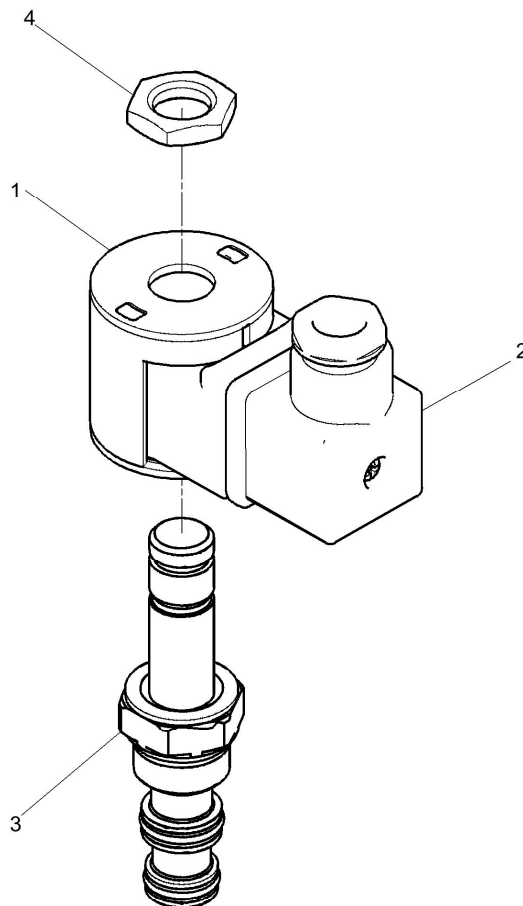


11.130**LOGIC VALVE****D700****RJ150-0016 A**

Item	Part Number	Part Name	Qty	See Fig.	Remarks
1	RJ150-0135	BODY	1		
2	RJ150-0136	VALVE	6		
3	RJ150-0137	SOLENOID VALVE	4	11.160	
4	RJ150-0142	SOLENOID VALVE	1	11.170	
5	RJ150-0144	VALVE	4		
6	RJ150-0145	VALVE	1		
7	RJ150-0146	PLUG	17		

EOL

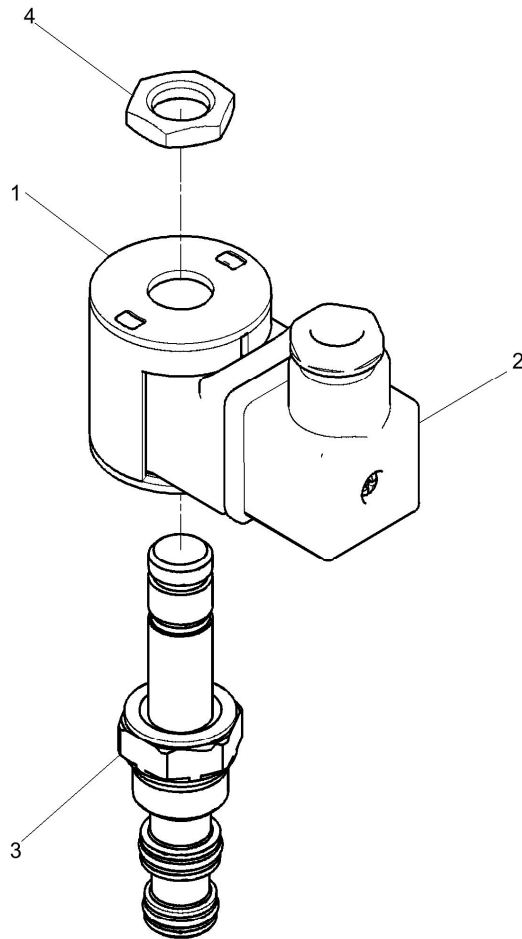
Fig. 11.130	Fig. SOLENOID VALVE
D700	RJ150-0137



11.130**SOLENOID VALVE****D700****RJ150-0137**

Item	Part Number	Part Name	Qty	See Fig.	Remarks
1	RJ150-0138	COIL	1		
2	RJ150-0141	CONNECTOR	1		
3	RJ150-0139	CARTRIDGE	1		
4	RJ150-0140	NUT	1		
EOL					

Fig. 11.130	Fig. SOLENOID VALVE
D700	RJ150-0142



11.130**SOLENOID VALVE****D700****RJ150-0142**

Item	Part Number	Part Name	Qty	See Fig.	Remarks
1	RJ150-0138	COIL	1		
2	RJ150-0141	CONNECTOR	1		
3	RJ150-0143	CARTRIDGE	1		
4	RJ150-0140	NUT	1		
EOL					

Fig. 11.140	PILOT CONTROL BLOCK FITTING ASSY
D700	RJ124-0025

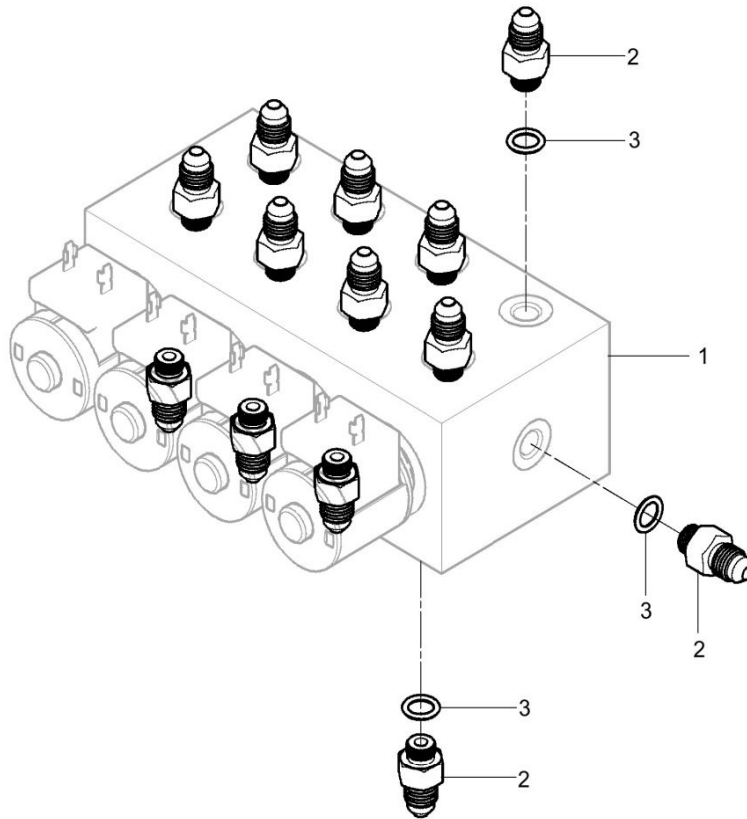


Fig.	11.140	PILOT CONTROL BLOCK FITTING ASSY
	D700	RJ124-0025

Item	Part Number	Part Name	Qty	See Fig.	Remarks
1	RJ150-0021	PILOT CONTROL BLOCK	1		
2	RA307-6101	ADAPTER	13		PF1/8-UNF 7/16
3	S8000091	O-RING	13		P9-1B

EOL

Fig.	11.140	PILOT CONTROL BLOCK
	D700	RJ150-0021 A

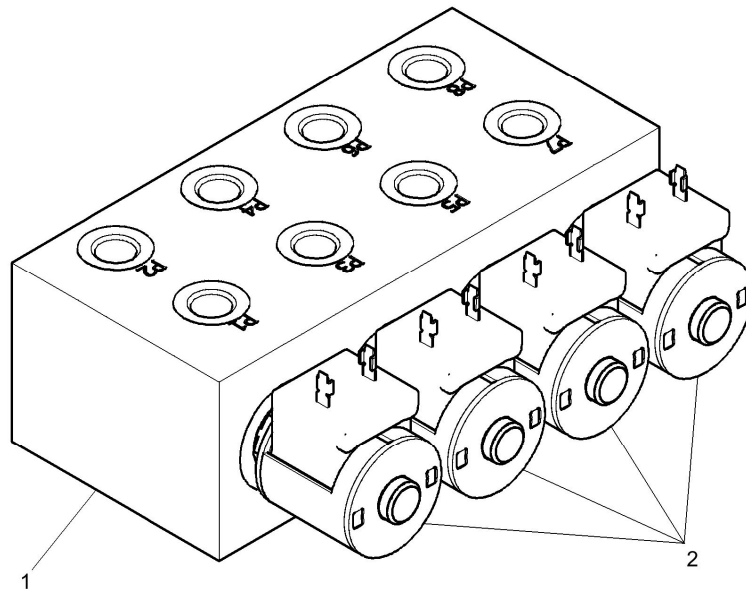
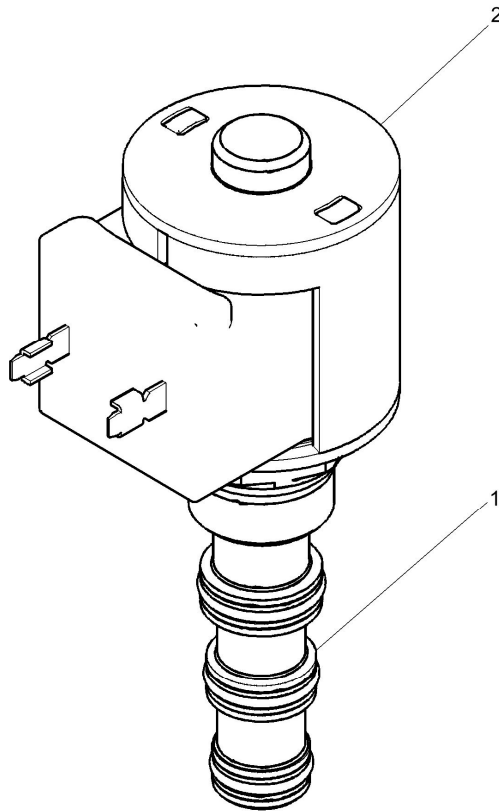


Fig.	11.140	PILOT CONTROL BLOCK
	D700	RJ150-0021 A

Item	Part Number	Part Name	Qty	See Fig.	Remarks
1	RJ150-0124	BODY	1		
2	RJ150-0127	SOLENOID VALVE	4	11.200	
EOL					

Fig. 11.140	Fig. SOLENOID VALVE
D700	RJ150-0127



11.140**SOLENOID VALVE****D700****RJ150-0127**

Item	Part Number	Part Name	Qty	See Fig.	Remarks
1	RJ150-0124	BODY	1		
2	RJ150-0127	SOLENOID VALVE	4	11.200	
EOL					

Fig.	11.150	FITTING ASSY
	D700	RJ124-0023

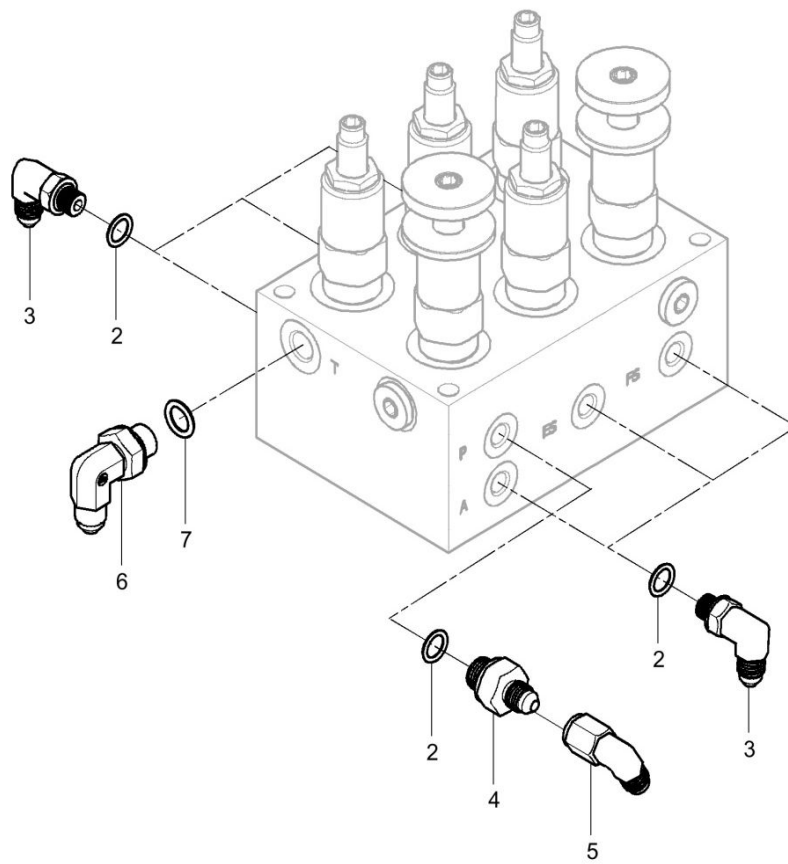
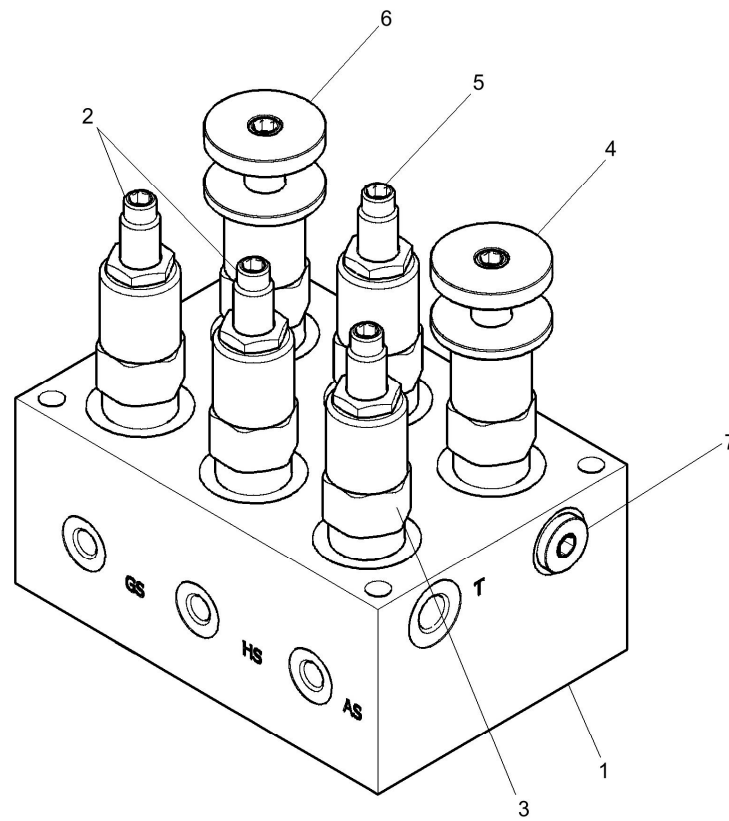


Fig.	11.150	FITTING ASSY
	D700	RJ124-0023

Item	Part Number	Part Name	Qty	See Fig.	Remarks
1	RJ150-0014 A	PRESSURE CONTROL VALVE	1		
2	S8000101	O-RING	7		P10-1B
3	RA303-0101	ELBOW	6		PF1/8-UNF7/16-20
4	RA307-6102	ADAPTER	1		PF1/4-UNF 7/16-20
5	RA305-7101	ELBOW	1		UNF 7/16 90도
6	RA303-0106	ELBOW	1		UNF1/2-20 - PF1/4-19
7	S8000111	O-RING	1		P11-1B

EOL

Fig. 11.150	Fig. PRESSURE CONTROL VALVE
D700	RJ150-0014 A



11.150**PRESSURE CONTROL VALVE****D700****RJ150-0014 A**

Item	Part Number	Part Name	Qty	See Fig.	Remarks
1	RJ150-0128	BODY	1		
2	RJ150-0129	VALVE	2		
3	RJ150-0132	VALVE	1		
4	RJ150-0130	VALVE	1		
5	RJ150-0131	VALVE	1		
6	RJ150-0133	VALVE	1		
7	RJ150-0134	PLUG	2		

EOL

Fig. 11.160	TRAVEL PILOT JOYSTICK
D700	RJ124-0022

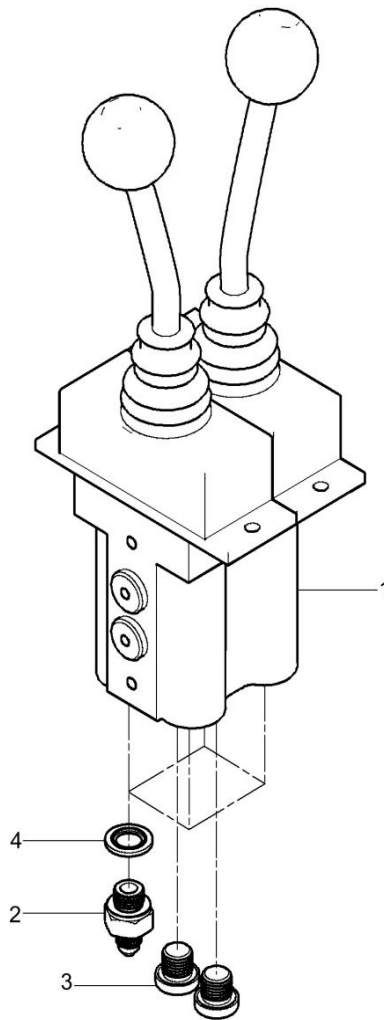


Fig.	11.160	TRAVEL PILOT JOYSTICK
	D700	RJ124-0022

Item	Part Number	Part Name	Qty	See Fig.	Remarks
1	D-59050000	JOYSTICK	1		
2	RA307-6102	ADAPTER	4		PF1/4-UNF 7/16-20
3	RA312-5102	PLUG	2		PF1/4
4	D-55010400	U-SEAL	4		G1/4
EOL					

Fig.	11.170	FITTING ASSY
	D700	RJ124-0024

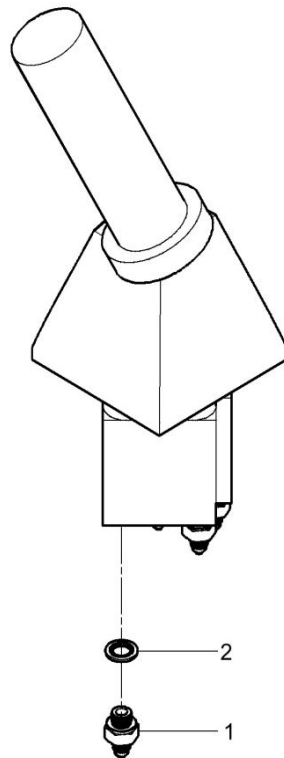


Fig.	11.170	FITTING ASSY
	D700	RJ124-0024

Item	Part Number	Part Name	Qty	See Fig.	Remarks
1	RA307-6102	ADAPTER	6		PF1/4-UNF 7/16-20
2	D-55010400	U-SEAL	6		G1/4
EOL					

Fig.	11.180	BLOCK FITTING ASSY
	D700	RJ124-0016

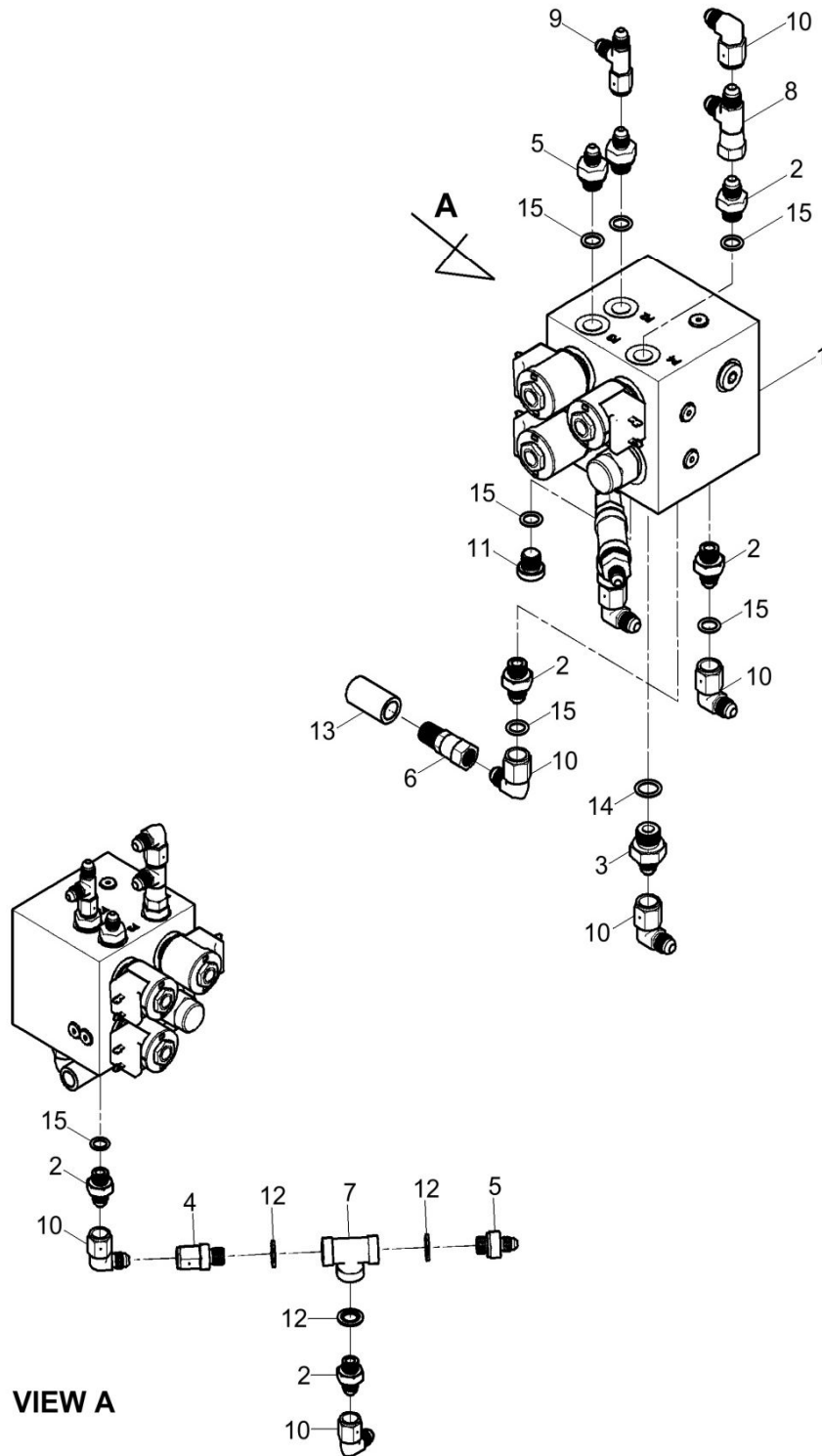


Fig.	11.180	BLOCK FITTING ASSY
	D700	RJ124-0016

Item	Part Number	Part Name	Qty	See Fig.	Remarks
1	RJ150-0015	VALVE	1		
2	RA307-6106	ADAPTER	5		UNF1/2-PF1/4
3	RA307-6107	ADAPTER	1		UNF1/2 PF3/8
4	RA307-5104	ADAPTER	1		PF1/4-UNF1/2
5	RA307-6102	ADAPTER	3		PF1/4-UNF 7/16-20
6	RA307-3104	ADAPTER	1		PT1/4 UNF1/2
7	RA314-0102	TEE	1		PF1/4
8	RA305-9102	TEE	1		UNF1/2
9	RA305-9101	TEE	1		UNF 7/16-20
10	RA305-7102	ELBOW	6		UNF1/2
11	RA312-5102	PLUG	1		PF1/4
12	D-55010400	U-SEAL	3		G1/4
13	RA310-4102	COUPLING	1		PT1/4
14	S8000141	O-RING	1		P14-1B
15	S8000111	O-RING	7		P11-1B

EOL

Fig.	11.180	VALVE BLOCK
	D700	RJ150-0015

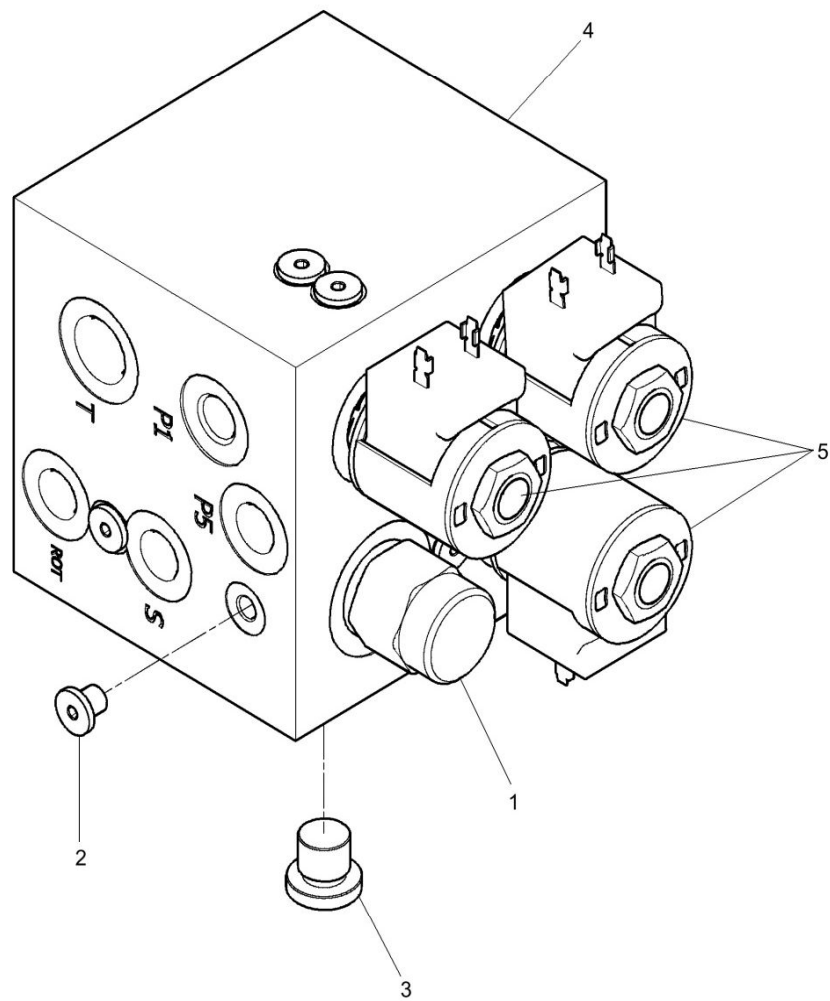


Fig.	11.180	VALVE BLOCK
	D700	RJ150-0015

Item	Part Number	Part Name	Qty	See Fig.	Remarks
1	RJ150-0116	VALVE	1		
2	RJ150-0118	PLUG	9		
3	RJ150-0117	PLUG	1		
4	RJ150-0112	BODY	1		
5	RJ150-0119	SOLENOID VLAVE	3		

EOL

Fig.	11.180	SOLENOID VALVE
	D700	RJ124-0119

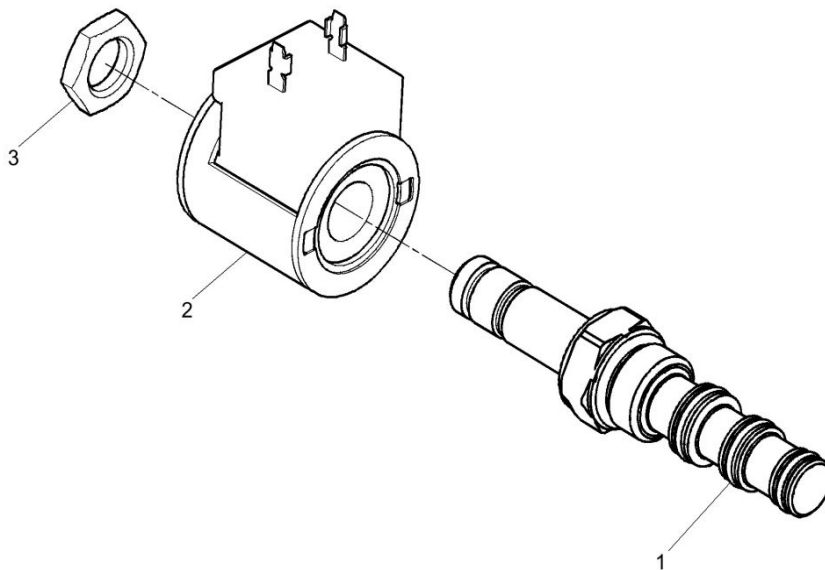


Fig. 11.180	SOLENOID VALVE
D700	RJ124-0119

Item	Part Number	Part Name	Qty	See Fig.	Remarks
1	RJ150-0014	CARTRIDGE	1		
2	RJ150-0013	COIL	1		
3	RJ150-0015	NUT	1		

EOL

Fig.	11.190	COOLER LINE
	D700	RJ124-0004 A

Item	Part Number	Part Name	Qty	See Fig.	Remarks
1	RJ124-0030	AIR END SECTION FITTING ASSY	1	11.200	
2	RJ124-0029	RECEIVER TANK FITTING ASSY	1		
3	RJ124-0031	COOLING MODULE FITTING ASSY	1	11.220	
4	RJ124-0027	PUMP FITTING ASSY	1	11.230	
5	RJ124-0028	FITTING ASSY	1	11.240	
6	RA290-5340D350	HYD HOSE	1		
7	RA290-5340D355	HYD HOSE	1		
8	RA290-5340D360	HYD HOSE	1		
9	RA290-5340D230	HYD HOSE	1		
10	RA211-5340D460	HYD HOSE	1		
11	RA211-5240D520	HYDE HOSE	1		
12	RA290-5130D560	HYD HOSE	1		
13	RA211-5340D470	HYD HOSE	1		
14	RA290-5130D435	HYD HOSE	1		
15	RA290-5720D310	HYD HOSE	1		
16	RA290-5720D300	HYD HOSE	1		
17	RA211-5720D350	HYD HOSE	1		
18	RA290-5720D345	HYD HOSE	1		
19	RA211-5560D500	HYD HOSE	1		
20	RA291-5780D170	HYD HOSE	1		
21	RA211-5720D140	HYD HOSE	1		
22	RA290-5340D250	HYD HOSE	1		
23	RA290-5720D170	HYD HOSE	1		
24	RA291-5780D950	HYD HOSE	1		
25	RA291-5780D210	HYD HOSE	1		

EOL

Fig. 11.200	AIR END SECTION FITTING ASSY
D700	RJ124-0030

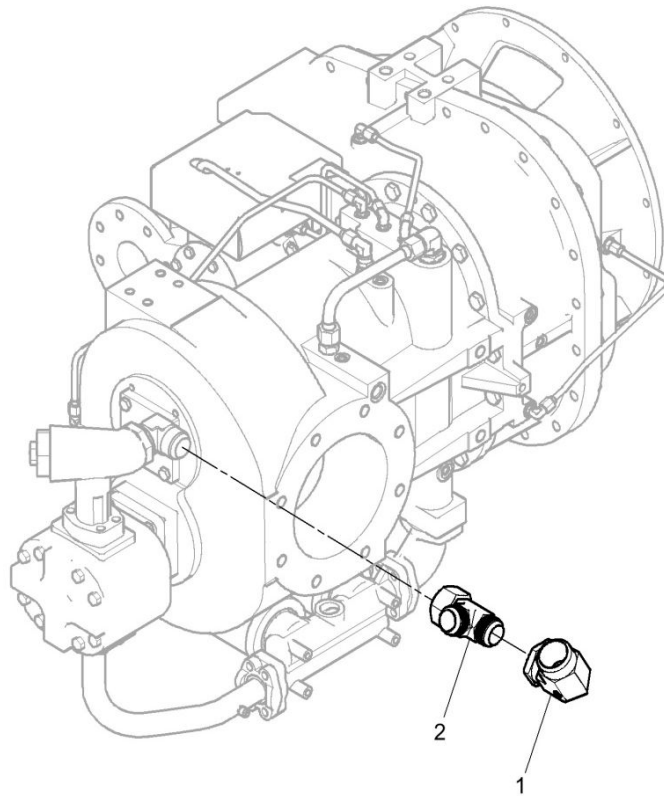


Fig.	11.200	AIR END SECTION FITTING ASSY
	D700	RJ124-0030

Item	Part Number	Part Name	Qty	See Fig.	Remarks
1	RA305-7109	SWIVEL ELBOW	1		UNF 1 7/8-12
2	RA305-9109	TEE	1		UNF 1 7/8
EOL					

Fig. 11.200	RECEIVER TANK FITTING ASSY
D700	RJ124-0029 A

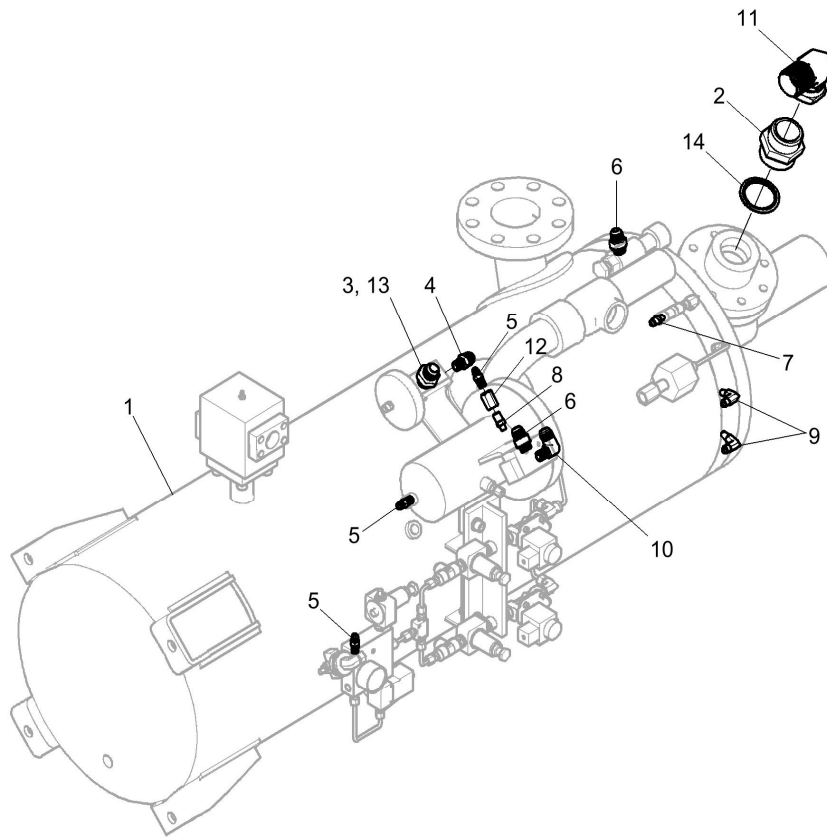


Fig.	11.200	RECEIVER TANK FITTING ASSY
	D700	RJ124-0029 A

Item	Part Number	Part Name	Qty	See Fig.	Remarks
1	RJ123-0105 A	RECEIVER TANK ASSY	1	10.030	
2	RA308-0131	ADAPTER	1		
3	RA308-0119	ADAPTER	1		
4	RA300-1109	NIPPLE	1		
5	RA300-1104	NIPPLE	3		
6	RA300-1111	NIPPLE	2		
7	RA300-1102	NIPPLE	1		
8	RA300-4102 A	NIPPLE	1		
9	RA302-0104	ELBOW	2		
10	RA302-0109	ELBOW	1		
11	RA305-7110	ELBOW	1		
12	RA313-0102	SOCKET	1		
13	D-55010500	U SEAL	1		
14	RA350-0052	U SEAL	1		
EOL					

Fig. 11.220	COOLING MODULE FITTING ASSY
D700	RJ124-0031

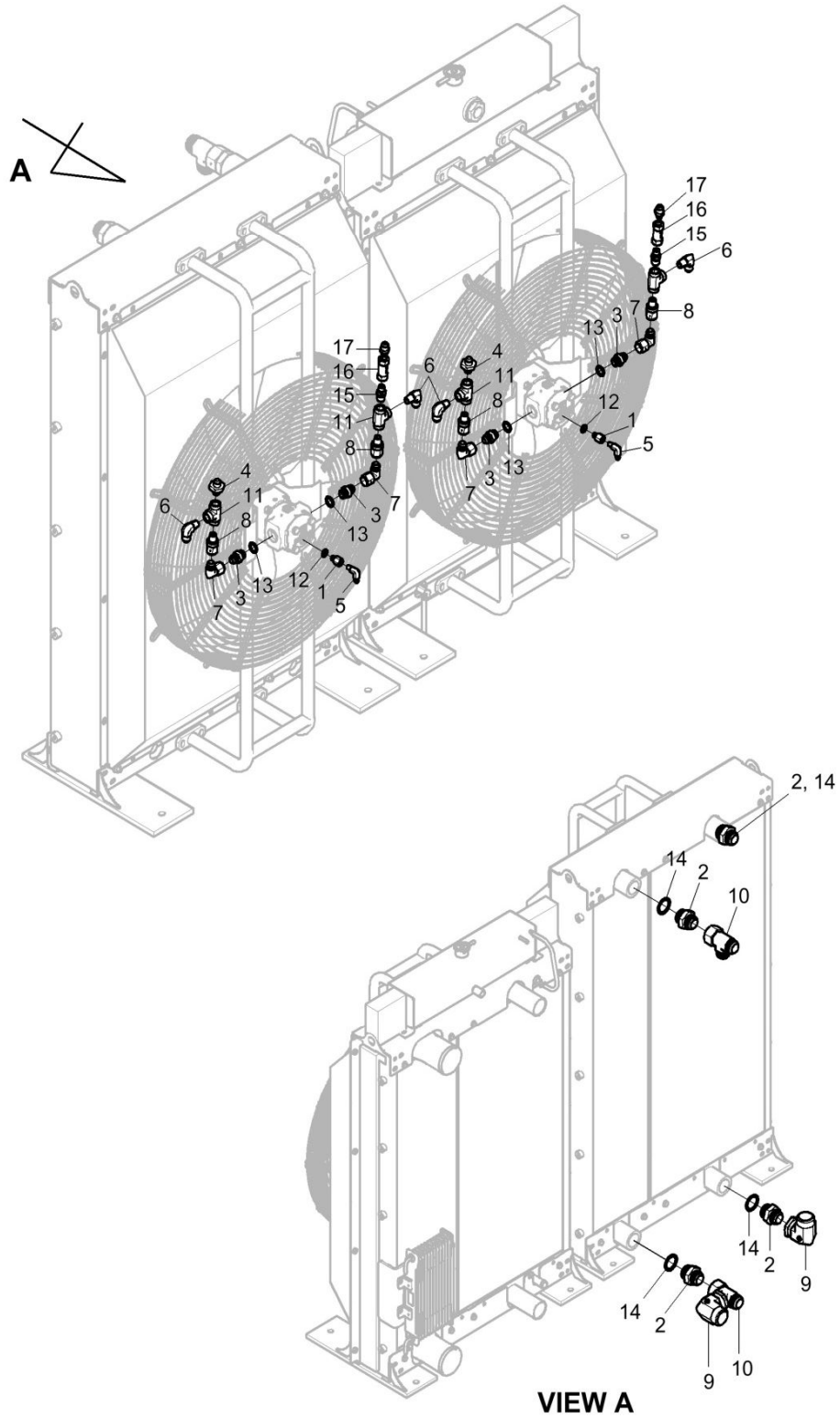


Fig.	11.220	COOLING MODULE FITTING ASSY
	D700	RJ124-0031

Item	Part Number	Part Name	Qty	See Fig.	Remarks
1	RA311-8101	ADAPTER	2		PF1/4-PT1/4
2	RA307-6128	ADAPTER	4		UNF1.7/8 PF1.1/2
3	RA300-9112	NIPPLE	4		
4	RA300-1110	NIPPLE	2		PT 1/2 * UNF 3/4-16
5	RA302-0104	ELBOW	2		PT1/4 - UNF1/2 -20
6	RA302-0111	ELBOW	4		PT1/2 - UNF7/8-14
7	RA305-7105	ELBOW	4		UNF7/8
8	RA307-3115	SWIVEL	4		UNF 7/8-14 * PT 1/2
9	RA305-7109	SWIVEL ELBOW	2		UNF 1 7/8-12
10	RA305-9109	TEE	2		
11	RA310-1104	TEE	4		PT 1/2
12	D-55010400	U-SEAL	2		G1/4
13	D-55010300	U-SEAL	4		G1/2
14	D-55010800	U SEAL	4		G1 1/2
15	RA300-4107	NIPPLE	2		PT3/8 - PT1/2-20
16	D-57015900	VALVE, CHECK	2		PT 3/8
17	RA300-1108	NIPPLE	2		PT3/8-UNF3/4

EOL

Fig.	11.230	PUMP FITTING ASSY
	D700	RJ124-0027

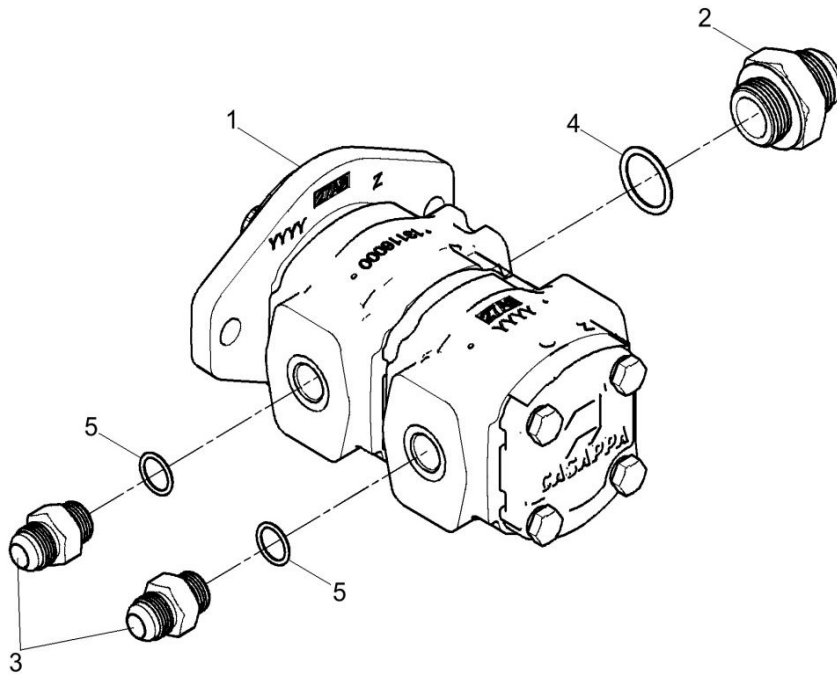


Fig.	11.230	PUMP FITTING ASSY
	D700	RJ124-0027

Item	Part Number	Part Name	Qty	See Fig.	Remarks
1	RJ150-0006	GEAR PUMP	1		
2	RA307-6123	ADAPTER	1		UNF15/16-PF1
3	RA307-6116	ADAPTER	2		UNF7/8-PF1/2
4	S8000291	O-RING	1		P29-1B
5	S8000181	O-RING	2		P18-1B

EOL

Fig.	11.240	FITTING ASSY
	D700	RJ124-0028

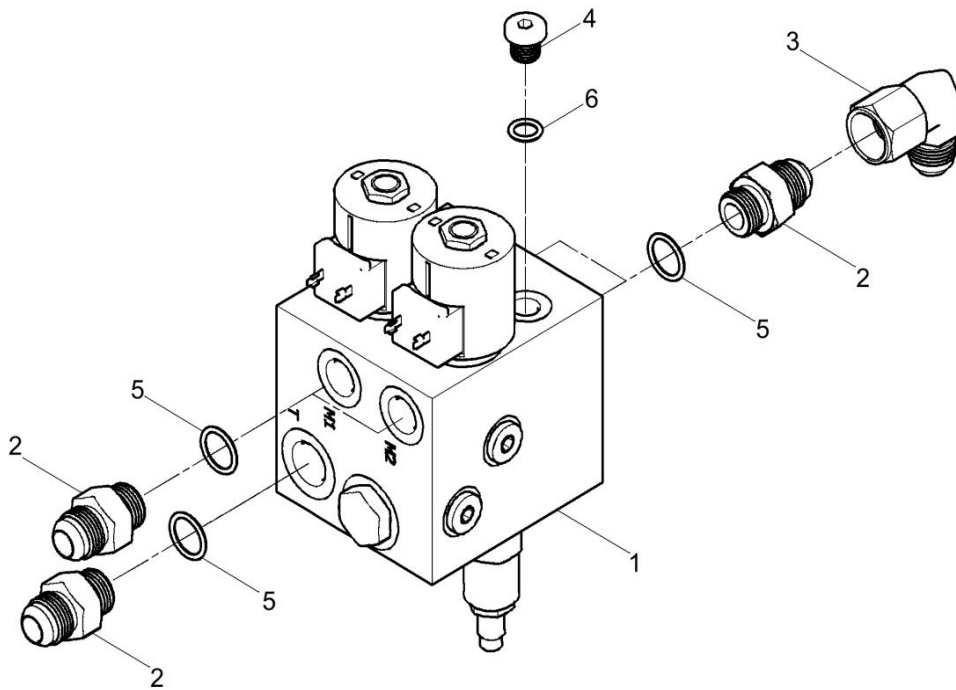


Fig.	11.240	FITTING ASSY
	D700	RJ124-0028

Item	Part Number	Part Name	Qty	See Fig.	Remarks
1	RJ150-0012	VALVE	1		
2	RA307-6116	ADAPTER	5		UNF7/8-PF1/2
3	RA305-7105	ELBOW	2		UNF7/8
4	RA312-5102	PLUG	2		PF1/4
5	S8000181	O-RING	5		P18-1B
6	S8000111	O-RING	2		P11-1B

EOL

Fig. 11.240	VALVE
D700	RJ150-0012 A

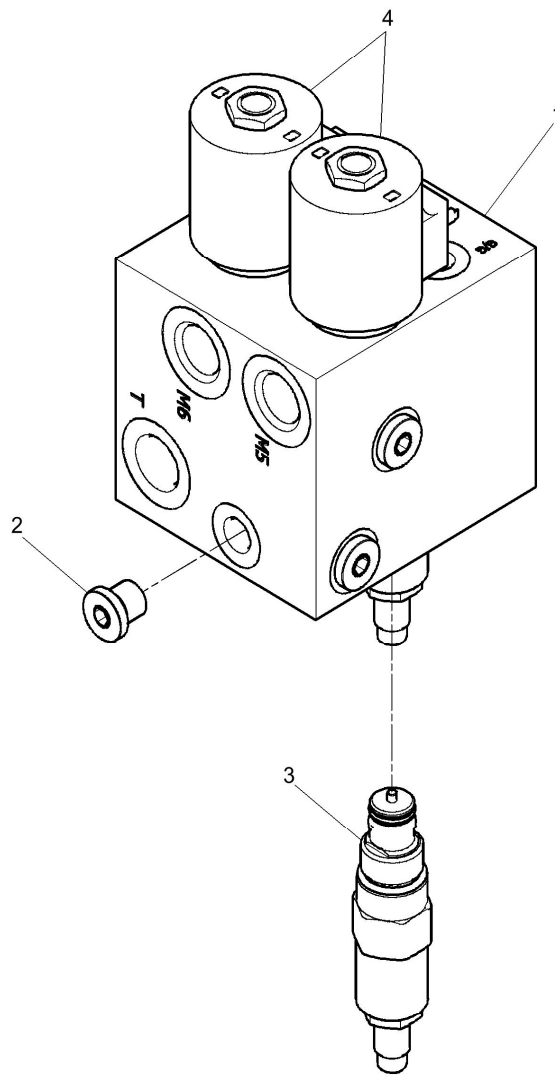


Fig.	11.240	VALVE
	D700	RJ150-0012 A

Item	Part Number	Part Name	Qty	See Fig.	Remarks
1	RJ150-0077	BODY	1		
2	RJ150-0082	PLUG	3		
3	RJ150-0079	VALVE	2		
4	RJ150-0083	SOLENOID VALVE	2	11.340	
EOL					

Fig.	11.240	SOLENOID VALVE
	D700	RJ150-0083

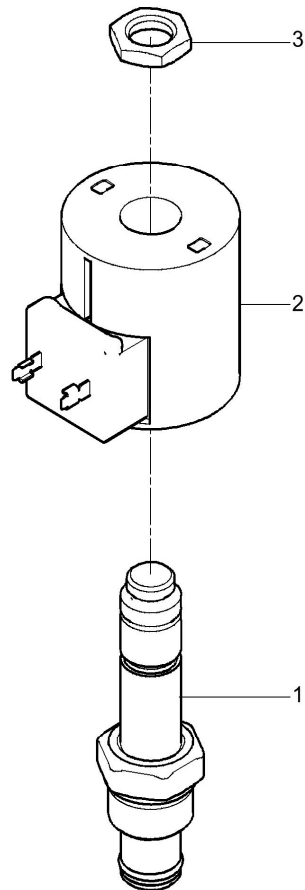


Fig. 11.240	SOLENOID VALVE
D700	RJ150-0083

Item	Part Number	Part Name	Qty	See Fig.	Remarks
1	RJ150-0078	CARTRIDGE	1		
2	RJ150-0080	COIL	1		
3	RJ150-0081	NUT	1		

EOL

Fig. 11.250	DUST COLLECTOR LINE
D700	RJ124-0005 A

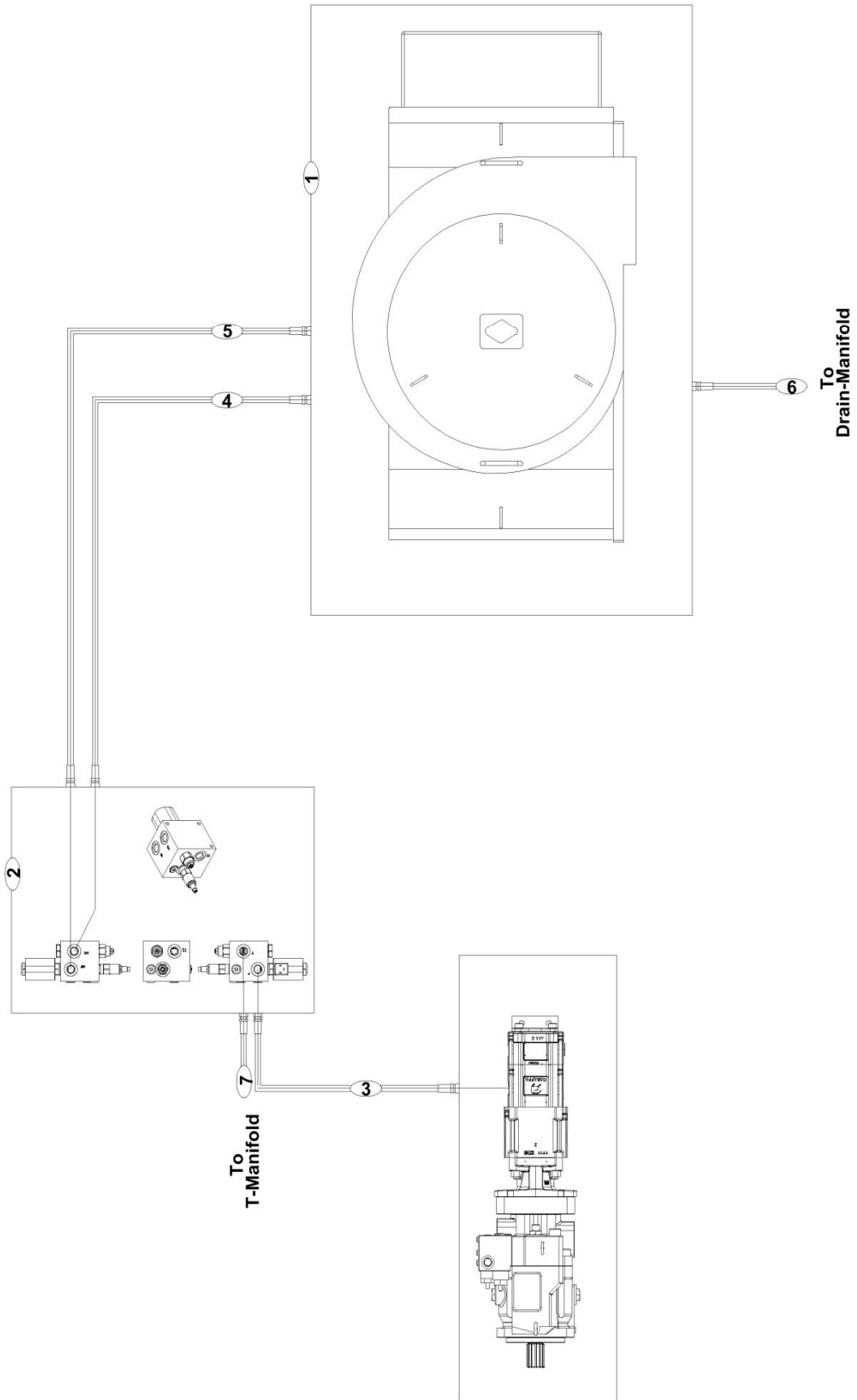


Fig.	11.250	DUST COLLECTOR LINE
	D700	RJ124-0005 A

Item	Part Number	Part Name	Qty	See Fig.	Remarks
1	RJ124-0032	DUST COLLECTOR FITTING ASSY	1	11.260	
2	RJ124-0033	FITTING ASSY	1	11.270	
3	RA290-5360D430	HYD HOSE	1		
4	RA211-5360D220	HYD HOSE	1		
5	RA211-5360D230	HYD HOSE	1		
6	RA211-5220D550	HYD HOSE	1		
7	RA290-5310D300	HYD HOSE	1		

EOL

Fig. 11.260	DUST COLLECTOR FITTING ASSY
D700	RJ124-0032

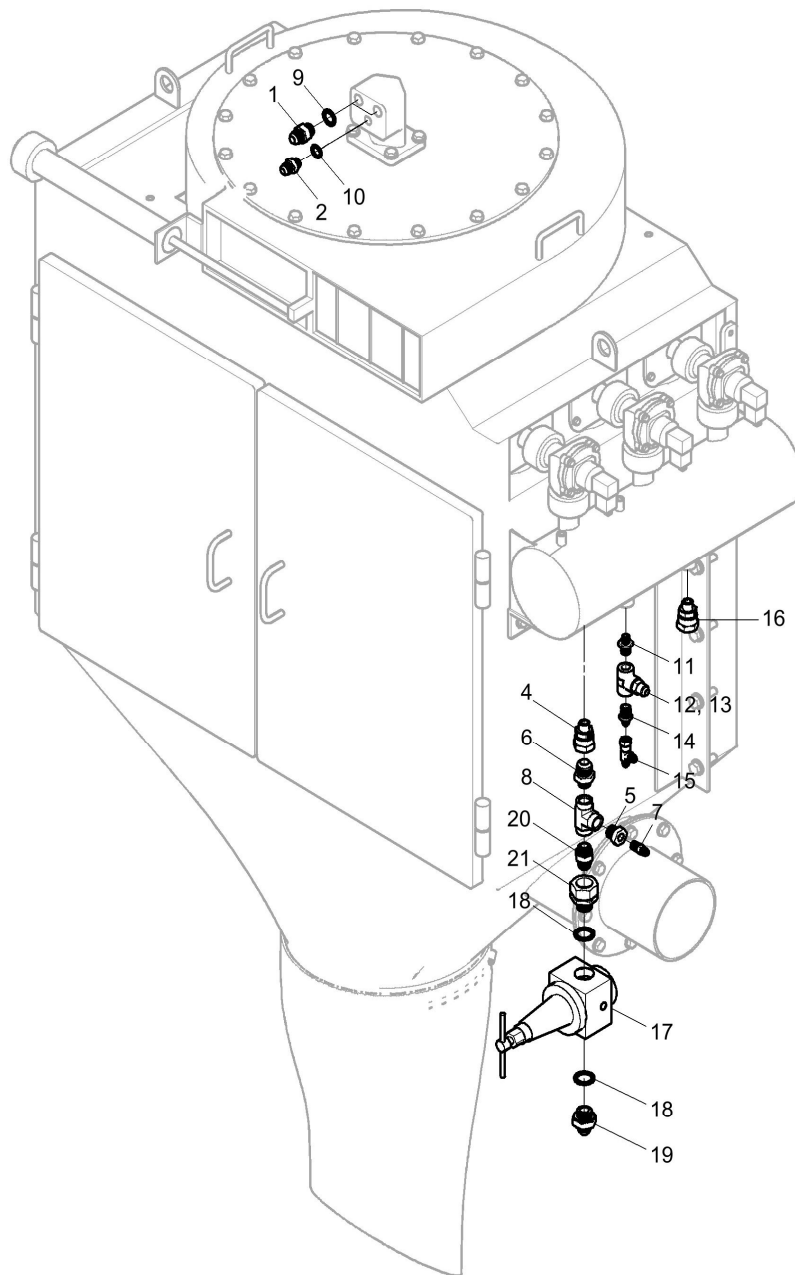


Fig.	11.260	DUST COLLECTOR FITTING ASSY
	D700	RJ124-0032

Item	Part Number	Part Name	Qty	See Fig.	Remarks
1	RA307-6116	ADAPTER	2		
2	RA307-6112	ADAPTER	1		
4	RA307-3116	ADAPTER	1		
5	RA312-1103	ADAPTER	1		
6	RA300-1112	NIPPLE	1		
7	RA300-1104	NIPPLE	1		
8	RA310-1104	TEE	1		
9	D-55010300	U SEAL	2		
10	D-55010600	U SEAL	1		
11	RA300-4104	NIPPLE	1		
12	RA310-1103	TEE	1		
13	RA300-1108	NIPPLE	1		
14	RA300-1107	NIPPLE	1		
15	RA305-9102	TEE	1		
16	RA307-5116	ADAPTER	1		
17	RA450-0022	REGULATOR	1		
18	D-55010500	U SEAL	2		
19	RA308-0117	ADAPTER	1		
20	RA300-1111	NIPPLE	1		
21	RA307-5118	ADAPTER	1		

EOL

Fig.	11.270	FITTING ASSY
	D700	RJ124-0033

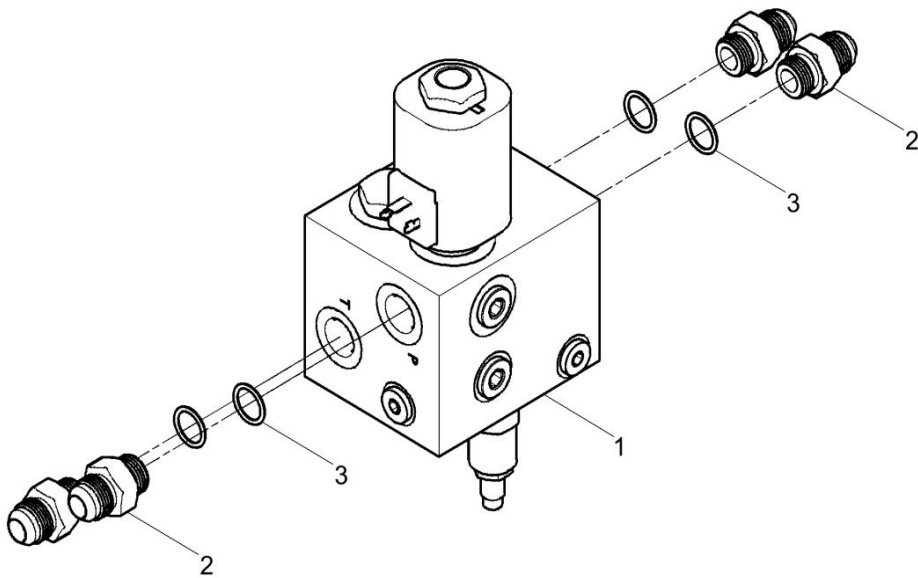


Fig.	11.270	FITTING ASSY
	D700	RJ124-0033

Item	Part Number	Part Name	Qty	See Fig.	Remarks
1	RJ150-0013	DUST CONTROL VALVE	1		
2	RA307-6116	ADAPTER	4		UNF7/8-PF1/2
3	S8000181	O-RING	4		P18-1B
EOL					

Fig. 11.270	DUST CONTROL VALVE
D700	RJ150-0013 A

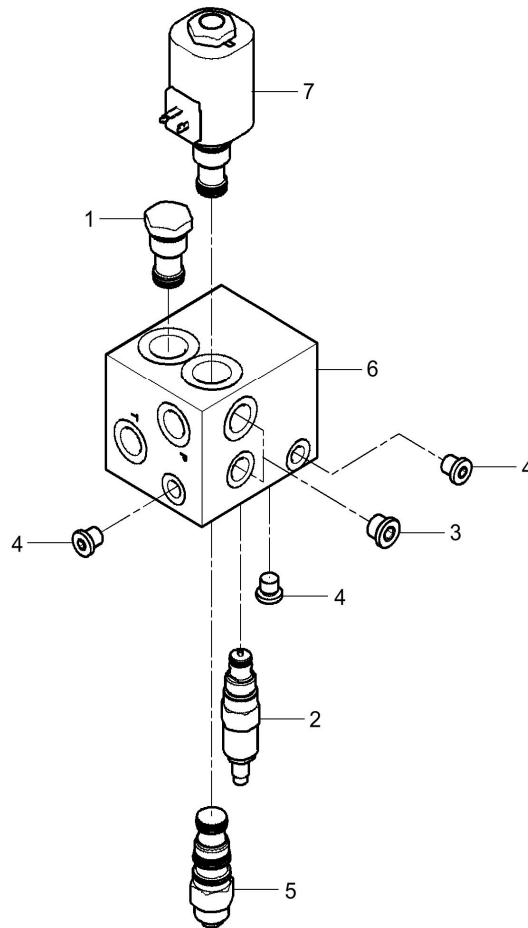


Fig.	11.270	DUST CONTROL VALVE
	D700	RJ150-0013 A

Item	Part Number	Part Name	Qty	See Fig.	Remarks
1	RJ150-0103	VALVE	1		
2	RJ150-0107	VALVE	1		
3	RJ150-0110	PLUG	2		
4	RJ150-0109	PLUG	3		
5	RJ150-0108	VALVE	1		
6	RJ150-0102	BODY	1		
7	RJ150-0111	SOLENOID VALVE ASSY	1	11.400	

EOL

Fig.	11.270	SOLENOID VALVE ASSY
	D700	RJ150-0111

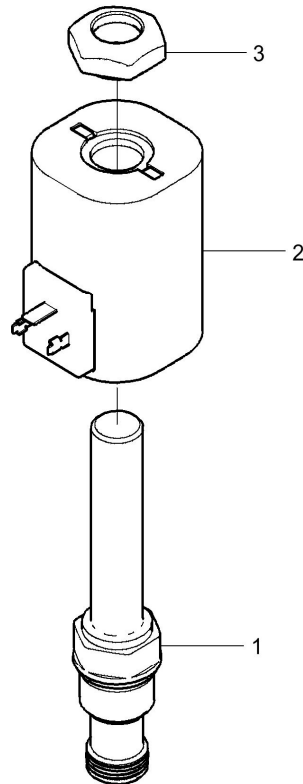


Fig.	11.270	SOLENOID VALVE ASSY
	D700	RJ150-0111

Item	Part Number	Part Name	Qty	See Fig.	Remarks
1	RJ150-0104	COIL	1		
2	RJ150-0105	CARTRIDGE	1		
3	RJ150-0106	NUT	1		

EOL

Fig.	11.280	BOOM CYLINDER LINE
	D700	RJ124-0006 A

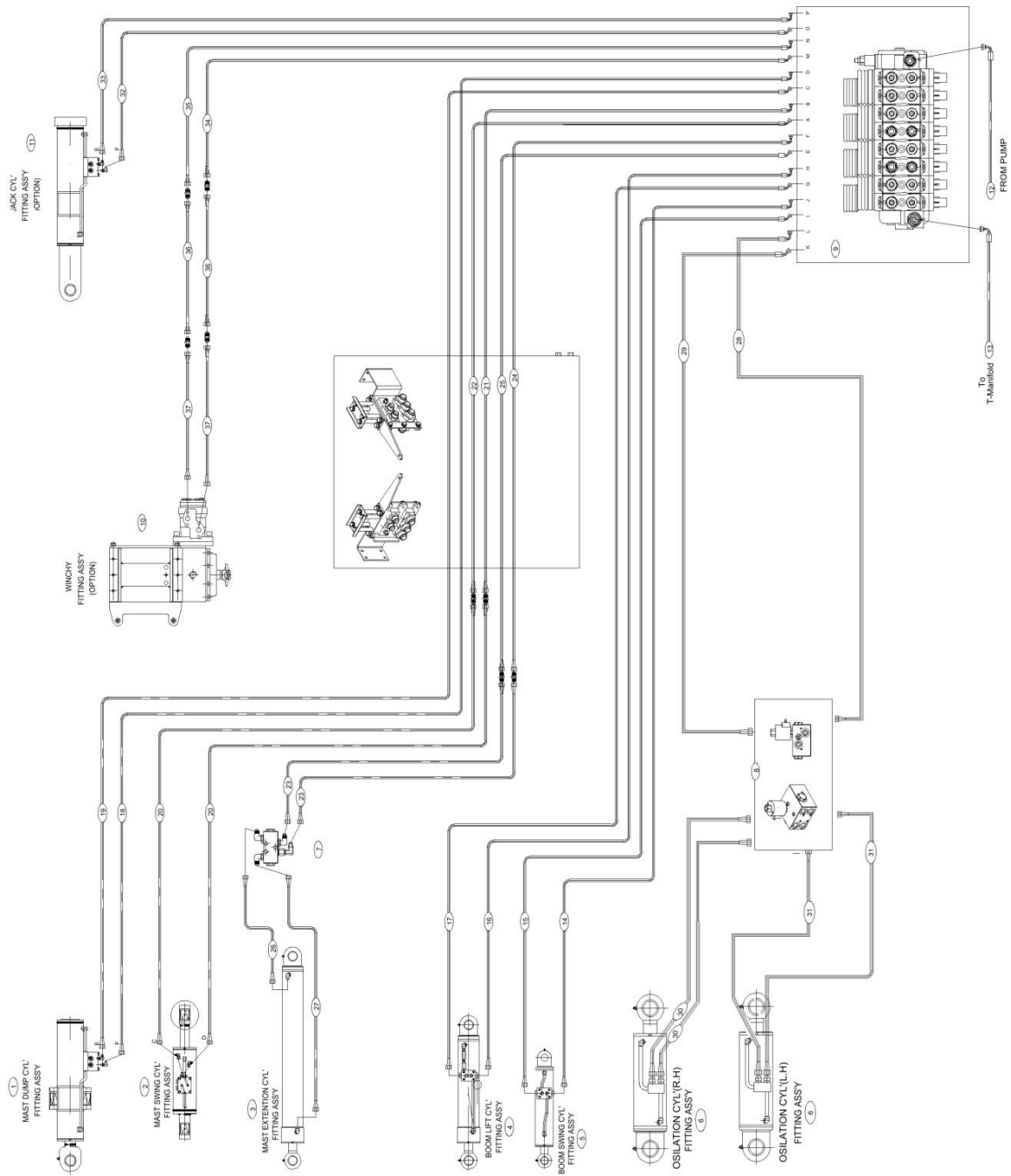


Fig.	11.280	BOOM CYLINDER LINE
	D700	RJ124-0006 A

Item	Part Number	Part Name	Qty	See Fig.	Remarks
1	RJ124-0034	MAST DUMP CYLINDER FITTING ASSY	1	11.290	
2	RJ124-0035	MAST SWING CYL FITTING ASSY	1	11.300	
3	RJ124-0036	MAST EXTENSION CYL FITTING ASSY	1	11.310	
4	RJ124-0065	BOOM LIFT CYLINDER FITTING ASSY	1	11.320	
5	RJ124-0037	BOOM SWING CYL FITTING ASSY	1	11.330	
6	RJ124-0038	TRACTION CYL FITTING ASSY	2	11.360	
7	D-18224400	CHECK VALVE FITTING ASSY	1	11.350	
8	RJ124-0064	CHECK BLOCK FITTING ASSY	1	11.340	
9	RJ124-0039	BOOM CONTROL VALVE FITTING ASSY	1	11.370	
10	RJ124-0040	FITTING ASSY	1	11.380	
11	RJ124-0041	FITTING ASSY	1	11.390	
12	RA290-5360D160	HYD HOSE	1		
13	RA290-5330D220	HYD HOSE	1		
14	RA290-5140D230	HYD HOSE	1		
15	RA245-5140D230	HYD HOSE	1		
16	RA290-5240D400	HYD HOSE	1		
17	RA245-5240D400	HYD HOSE	1		
18	RA290-5240D450	HYD HOSE	1		
19	RA245-5240D450	HYD HOSE	1		
20	RA211-5140D470	HYD. HOSE	2		
21	RA290-5140D440	HYD HOSE	1		
22	RA245-5140D440	HYD HOSE	1		
23	RA211-5140D630	HYD. HOSE	2		
24	RA290-5140D445	HYD HOSE	1		
25	RA245-5140D445	HYD HOSE	1		
26	RA211-5140D070	HYD. HOSE	1		
27	RA211-5140D205	HYD. HOSE	1		
28	RA245-5140D100	HYD HOSE	1		
29	RA290-5140D950	HYD HOSE	1		
30	RA211-5360D250	HYD HOSE	2		
31	RA211-5360D260	HYD HOSE	2		
32	RA245-5240D700	HYD HOSE	1		
33	RA290-5240D700	HYD HOSE	1		
34	RA245-5240D420	HYD HOSE	1		
35	RA290-5240D420	HYD HOSE	1		
36	RA245-5240D710	HYD HOSE	2		
37	RA290-5240D220	HYD HOSE	2		

EOL

Fig.	11.290	MAST DUMP CYLINDER FITTING ASSY
	D700	RJ124-0034

Item	Part Number	Part Name	Qty	See Fig.	Remarks
1	RJ150-0052 A	LOAD CONTROL BLOCK	1	11.460	
2	RJ150-0055	FLOW CONTROL VALVE	1		
3	RA307-5110	ADAPTER	1		
4	RA308-0112	ADAPTER	1		
5	RA303-0112	ELBOW	2		
6	S8000141	O-RING	4		
7	D-55010600	U SEAL	2		
8	S5231003	HARDENED WASHER	4		
9	S2212463	SOCKET BOLT	2		
10	S2213563	SOCKET BOLT	2		

EOL

Fig.	11.300	MAST SWING CYL FITTING ASSY
	D700	RJ124-0035

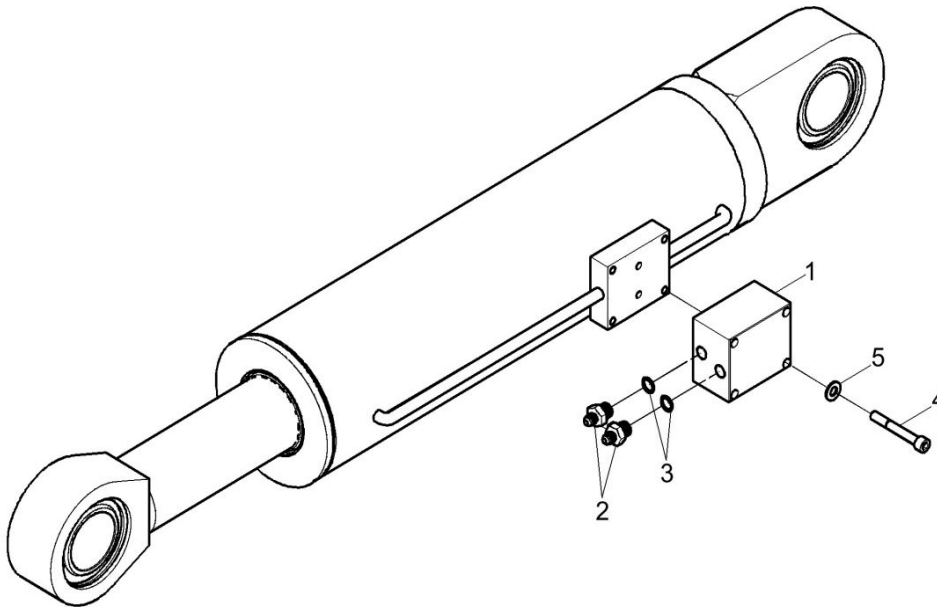


Fig.	11.300	MAST SWING CYL FITTING ASSY
	D700	RJ124-0035

Item	Part Number	Part Name	Qty	See Fig.	Remarks
1	D-58000801 A	COUNTER VALVE	1		
2	RA307-6107	ADAPTER	2		UNF1/2 PF3/8
3	S8000141	O-RING	2		P14-1B
4	S2213163	SOCKET BOLT	4		M10x1.5-L75-ZPC3
5	S5231003	HARDENED WASHER	4		D10-Fe/Zn8/HB

EOL

Fig. 11.310	MAST EXTENSION CYL FITTING ASSY
D700	RJ124-0036

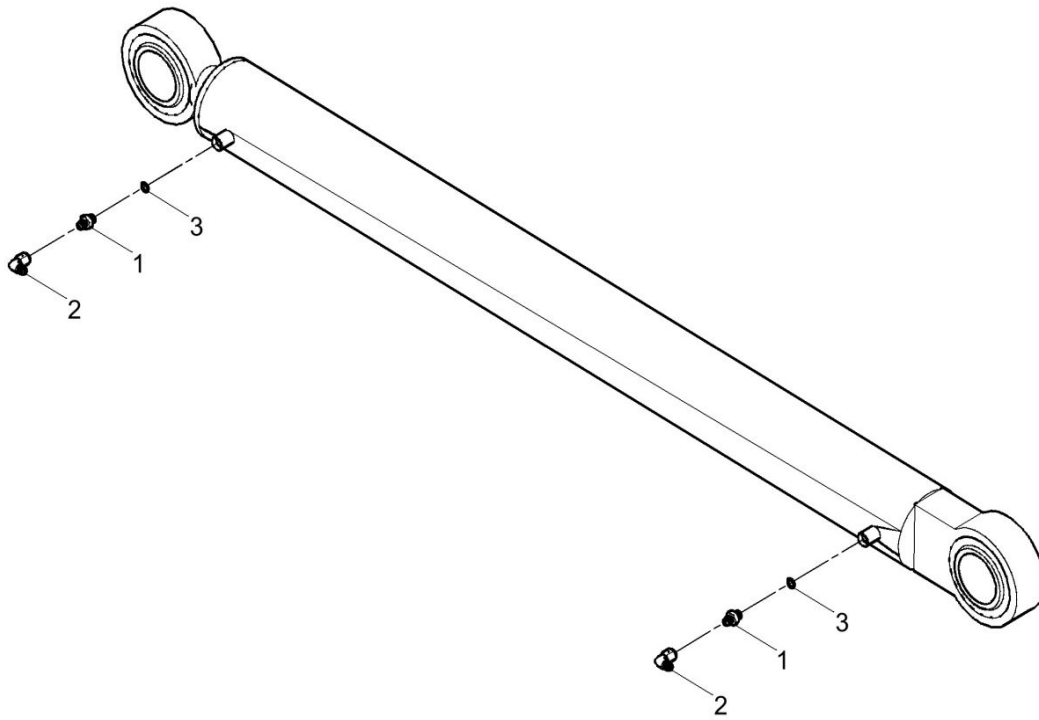


Fig.	11.310	MAST EXTENSION CYL FITTING ASSY
	D700	RJ124-0036

Item	Part Number	Part Name	Qty	See Fig.	Remarks
1	RA307-6106	ADAPTER	2		UNF1/2-PF1/4
2	RA305-7102	ELBOW	2		UNF1/2
3	S8000111	O-RING	2		P11-1B
EOL					

Fig.	11.320	BOOM LIFT CYLINDER FITTING ASSY
	D700	RJ124-0065

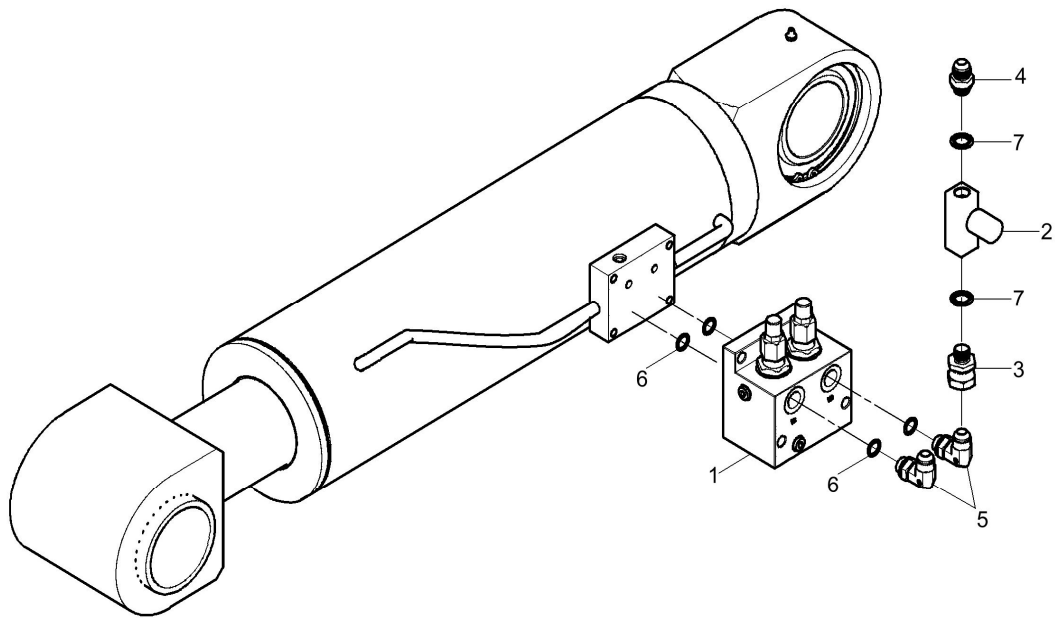


Fig.	11.320	BOOM LIFT CYLINDER FITTING ASSY
	D700	RJ124-0065

Item	Part Number	Part Name	Qty	See Fig.	Remarks
1	RJ150-0052 A	LOAD CONTROL BLOCK	1	11.460	
2	RJ150-0055	FLOW CONTROL VALVE	1		
3	RA307-5110	ADAPTER	1		
4	RA308-0112	ADAPTER	1		
5	RA303-0112	ELBOW	2		
6	S8000141	O-RING	4		
7	D-55010600	U SEAL	2		

EOL

Fig. 11.320	LOAD CONTROL BLOCK
D700	RJ150-0052 A

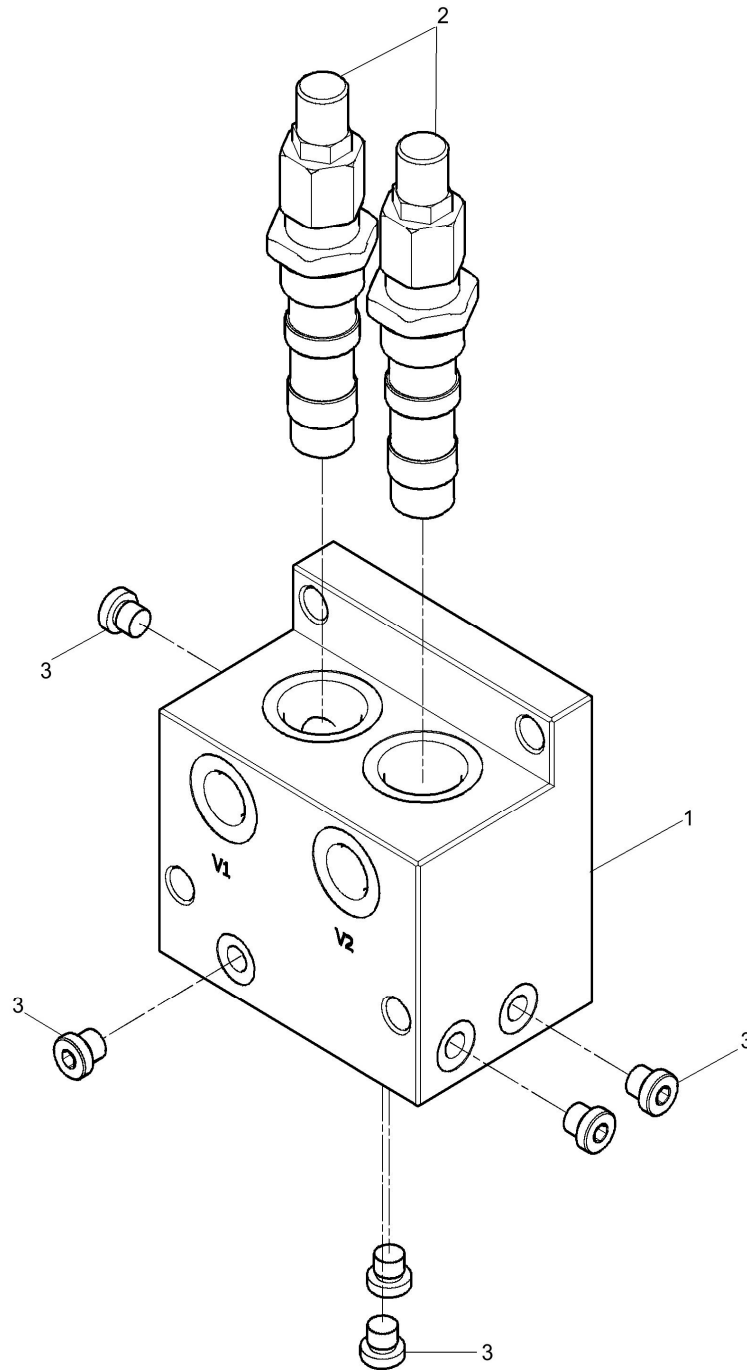


Fig. 11.320	LOAD CONTROL BLOCK
D700	RJ150-0052 A

Item	Part Number	Part Name	Qty	See Fig.	Remarks
1	RJ150-0120	BODY	1		
2	RJ150-0121	VALVE	2		
3	RJ150-0123	PLUG	6		

EOL

Fig.	11.330	BOOM SWING CYL FITTING ASSY
	D700	RJ124-0037

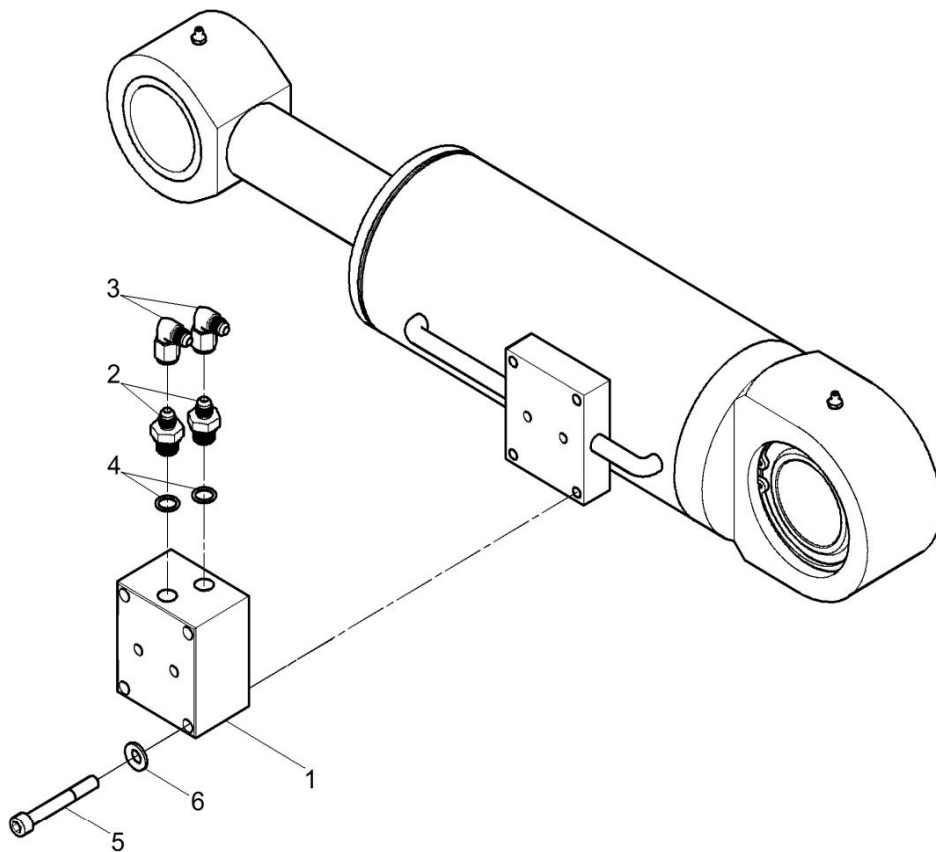


Fig.	11.330	BOOM SWING CYL FITTING ASSY
	D700	RJ124-0037

Item	Part Number	Part Name	Qty	See Fig.	Remarks
1	D-58000801 A	COUNTER VALVE	1		
2	RA307-6107	ADAPTER	2		UNF1/2 PF3/8
3	RA305-7102	ELBOW	2		UNF1/2
4	S8000141	O-RING	2		P14-1B
5	S2213163	SOCKET BOLT	4		M10x1.5-L75-ZPC3
6	S5231003	HARDENED WASHER	4		D10-Fe/Zn8/HB

EOL

Fig. 11.340	CHECK BLOCK FITTING ASSY
D700	RJ124-0064 A

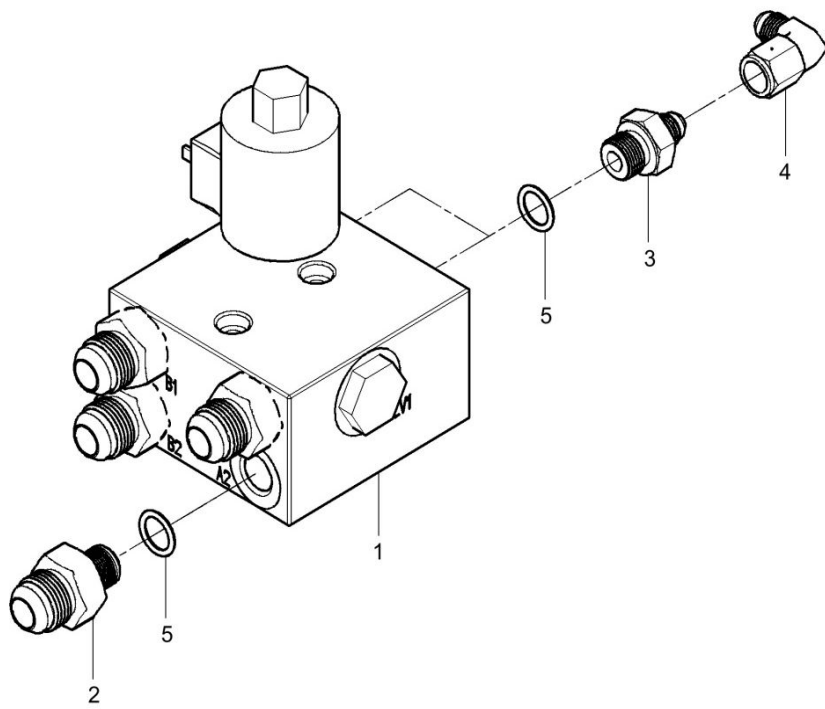


Fig.	11.340	CHECK BLOCK FITTING ASSY
	D700	RJ124-0064 A

Item	Part Number	Part Name	Qty	See Fig.	Remarks
1	RJ150-0049	CHECK BLOCK	1		
2	RA307-6115	ADAPTER	4		UNF 7/8 - PF 3/8
3	RA307-6107	ADAPTER	2		UNF1/2 PF3/8
4	RA305-7102	ELBOW	2		UNF1/2
5	S8000141	O-RING	6		P14-1B

EOL

Fig. 11.340	OSCILLATION LOCK VALVE
D700	RJ150-0049 A

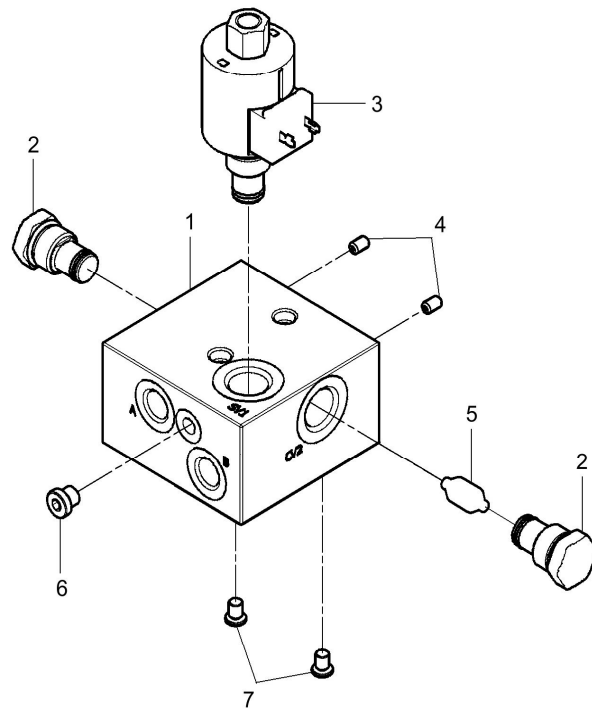


Fig.	11.340	OSCILLATION LOCK VALVE
	D700	RJ150-0049 A

Item	Part Number	Part Name	Qty	See Fig.	Remarks
1	RJ150-0091	BODY	1		
2	RJ150-0092	VALVE	2		
3	RJ150-0098	SOLENOID VALVE	1		
4	RJ150-0181	ORIFICE	2		
5	RJ150-0182	PISTON	1		
6	RJ150-0096	PLUG	1		
7	RJ150-0097	PLUG	2		

EOL

Fig. 11.350	CHECK VALVE FITTING ASSY
D700	D-18224400

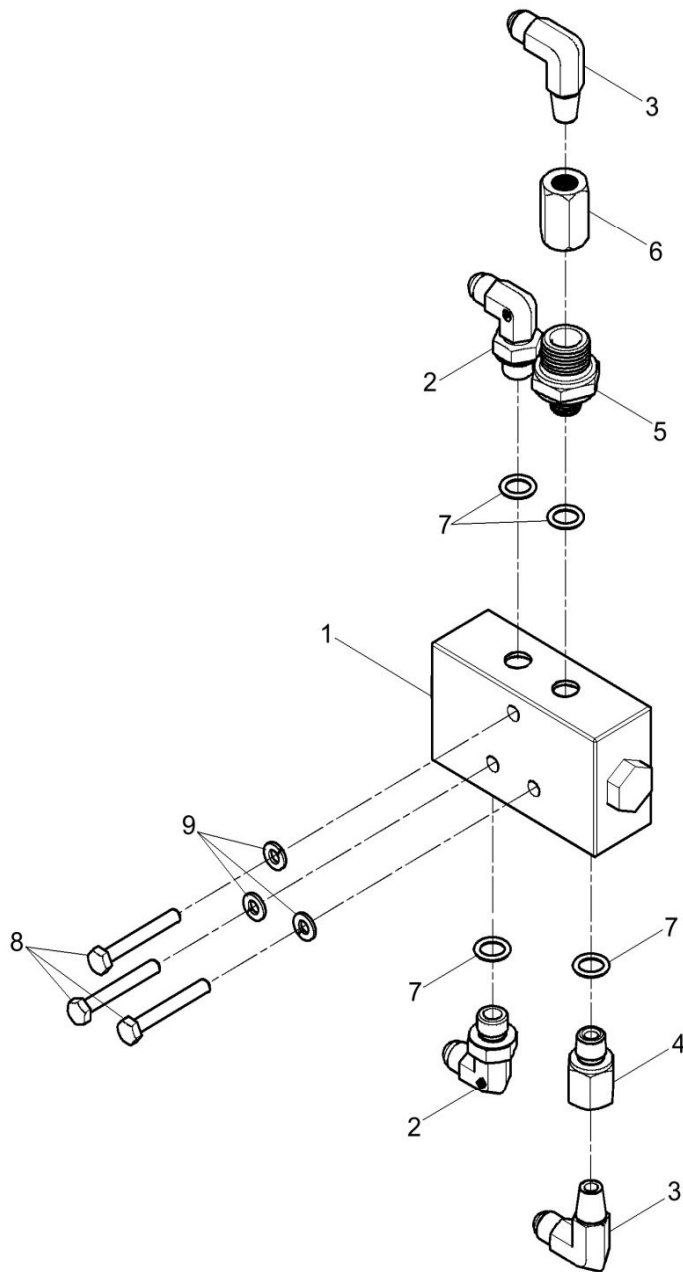


Fig.	11.350	CHECK VALVE FITTING ASSY
	D700	D-18224400

Item	Part Number	Part Name	Qty	See Fig.	Remarks
1	D-57009903 A	DOUBLE PILOT CHECK V/V	1		NWPC-2C-PF1/4
2	RA303-0106	ELBOW	2		UNF1/2-20 - PF1/4-19
3	RA302-0104	ELBOW	2		PT1/4 - UNF1/2 -20
4	RA311-8101	ADAPTER	1		PF1/4-PT1/4
5	RA307-7104	NIPPLE	1		PT1/4-PF1/2
6	RA313-0102	SOCKET	1		PT1/4-PT1/4
7	S8000111	O RING	4		P11-1B
8	S0105553	HEX BOLT	3		M6x1-L45-FULL-ZPC3
9	S5100313	SPRING WASHER	3		D6-ZPC3

EOL

Fig. 11.360	TRACTION CYL FITTING ASSY
D700	RJ124-0038

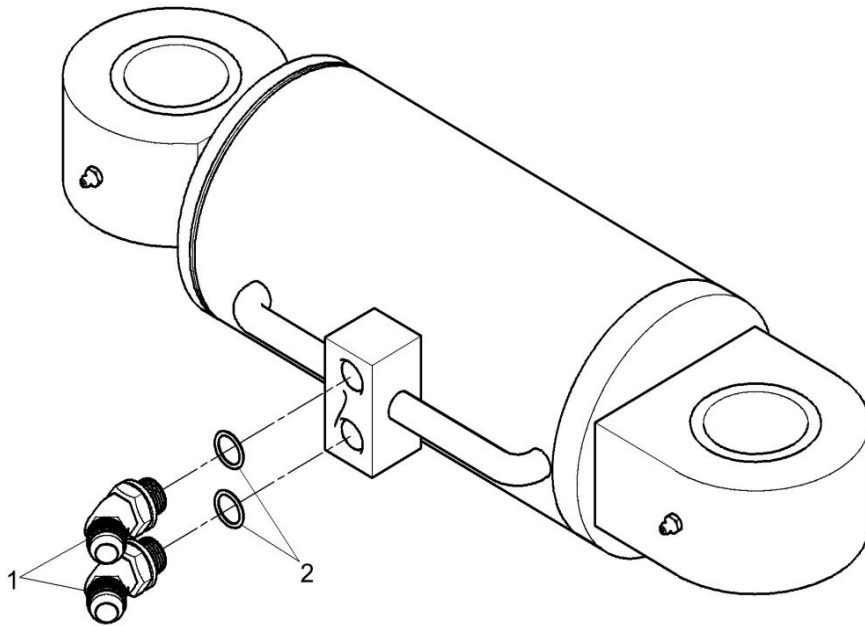


Fig.	11.360	TRACTION CYL FITTING ASSY
	D700	RJ124-0038

Item	Part Number	Part Name	Qty	See Fig.	Remarks
1	RA303-5105	ELBOW	2		PF1/2-UNF7/8
2	S8000181	O-RING	2		P18-1B
EOL					

Fig. 11.370	BOOM CONTROL VALVE FITTING ASSY
D700	RJ124-0039

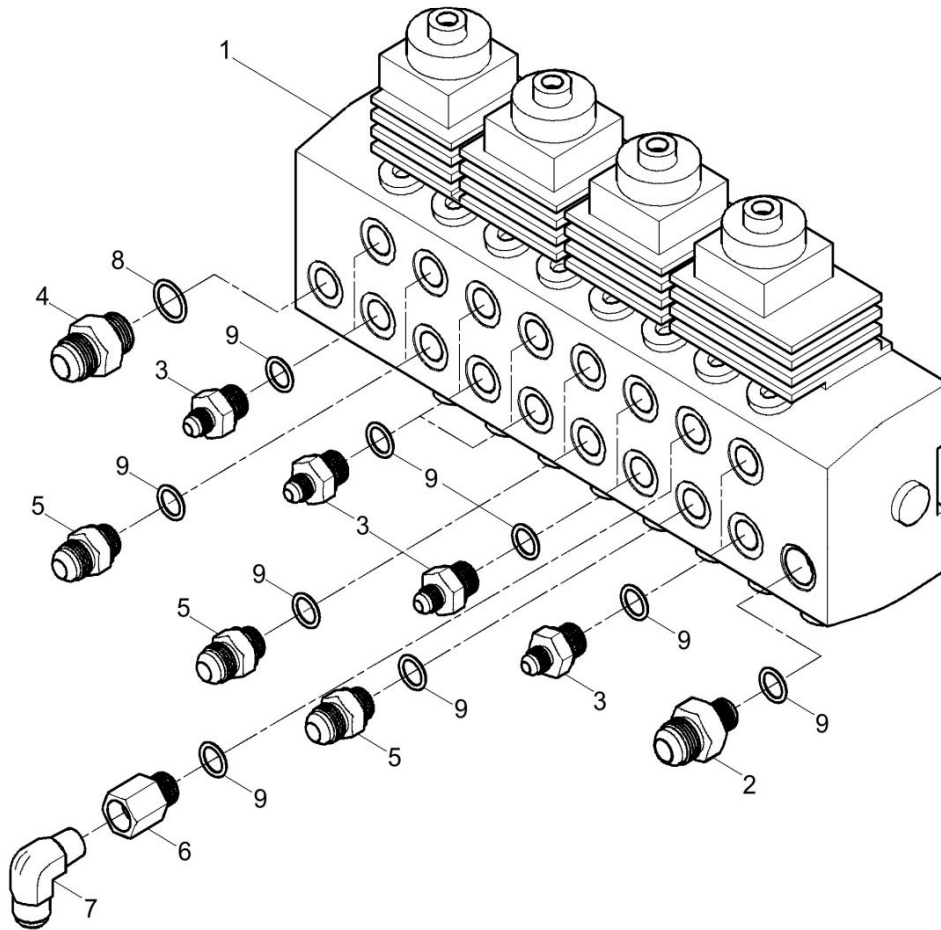


Fig.	11.370	BOOM CONTROL VALVE FITTING ASSY
	D700	RJ124-0039

Item	Part Number	Part Name	Qty	See Fig.	Remarks
1	RJ150-0009	BOOM VALVE	1		
2	RA307-6115	ADAPTER	1		UNF 7/8 - PF 3/8
3	RA307-6107	ADAPTER	10		UNF1/2 PF3/8
4	RA307-6116	ADAPTER	1		UNF7/8-PF1/2
5	RA307-6112	ADAPTER	5		UNF3/4-PF3/8
6	RA311-8102	ADAPTER	1		PF3/8 - PT3/8
7	RA302-0108	ELBOW	1		PT3/8 - UNF3/4-16
8	S8000181	O-RING	1		P18-1B
9	S8000141	O-RING	17		P14-1B
EOL					

Fig.	11.380	FITTING ASSY
	D700	RJ124-0040

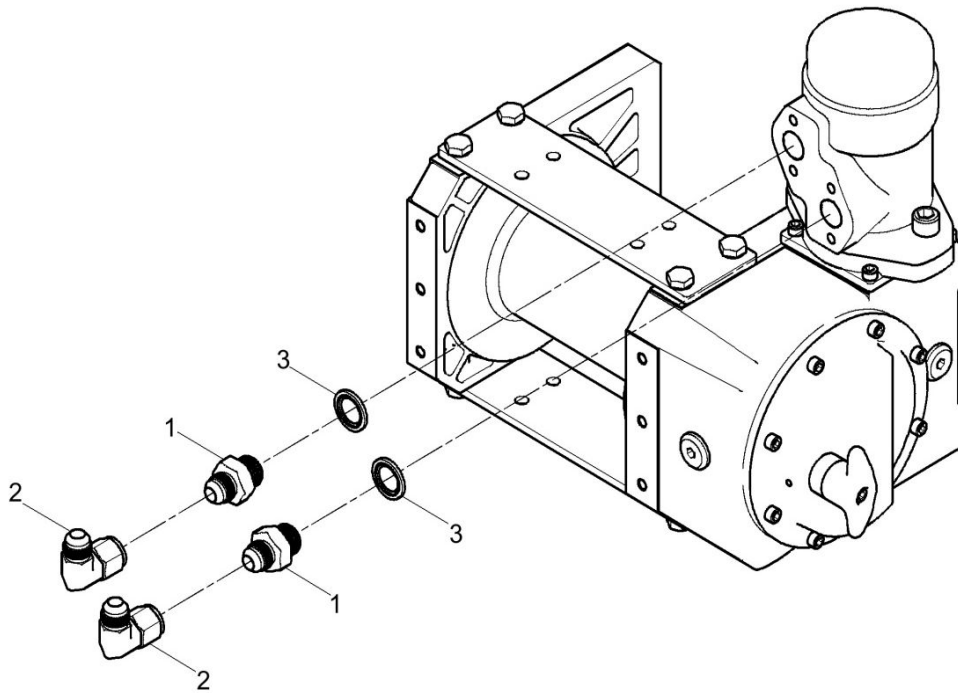


Fig.	11.380	FITTING ASSY
	D700	RJ124-0040

Item	Part Number	Part Name	Qty	See Fig.	Remarks
1	RA307-6113	ADAPTER	2		UNF3/4-PF1/2
2	RA305-7104	ELBOW	2		UNF3/4-16
3	D-55010300	U-SEAL	2		G1/2
EOL					

Fig.	11.390	FITTING ASSY
	D700	RJ124-0041

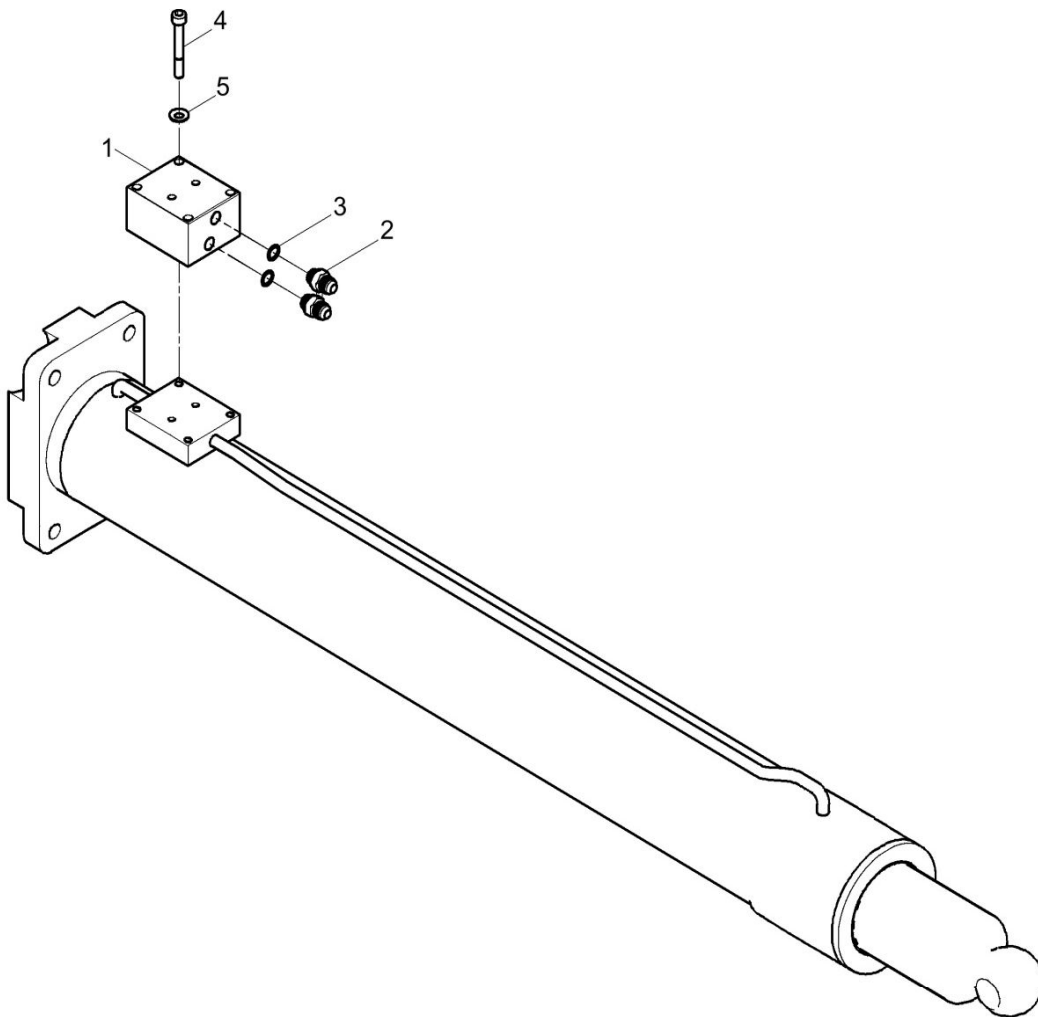


Fig.	11.390	FITTING ASSY
	D700	RJ124-0041

Item	Part Number	Part Name	Qty	See Fig.	Remarks
1	D-58000801 A	COUNTER VALVE	1		
2	RA307-6112	ADAPTER	2		UNF3/4-PF3/8
3	S8000141	O-RING	2		P14-1B
4	S2213163	SOCKET BOLT	4		M10x1.5-L75-ZPC3
5	S5231003	HARDENED WASHER	4		D10-Fe/Zn8/HB

EOL

Fig.	11.400	ARC LINE
	D700	RJ124-0007 A

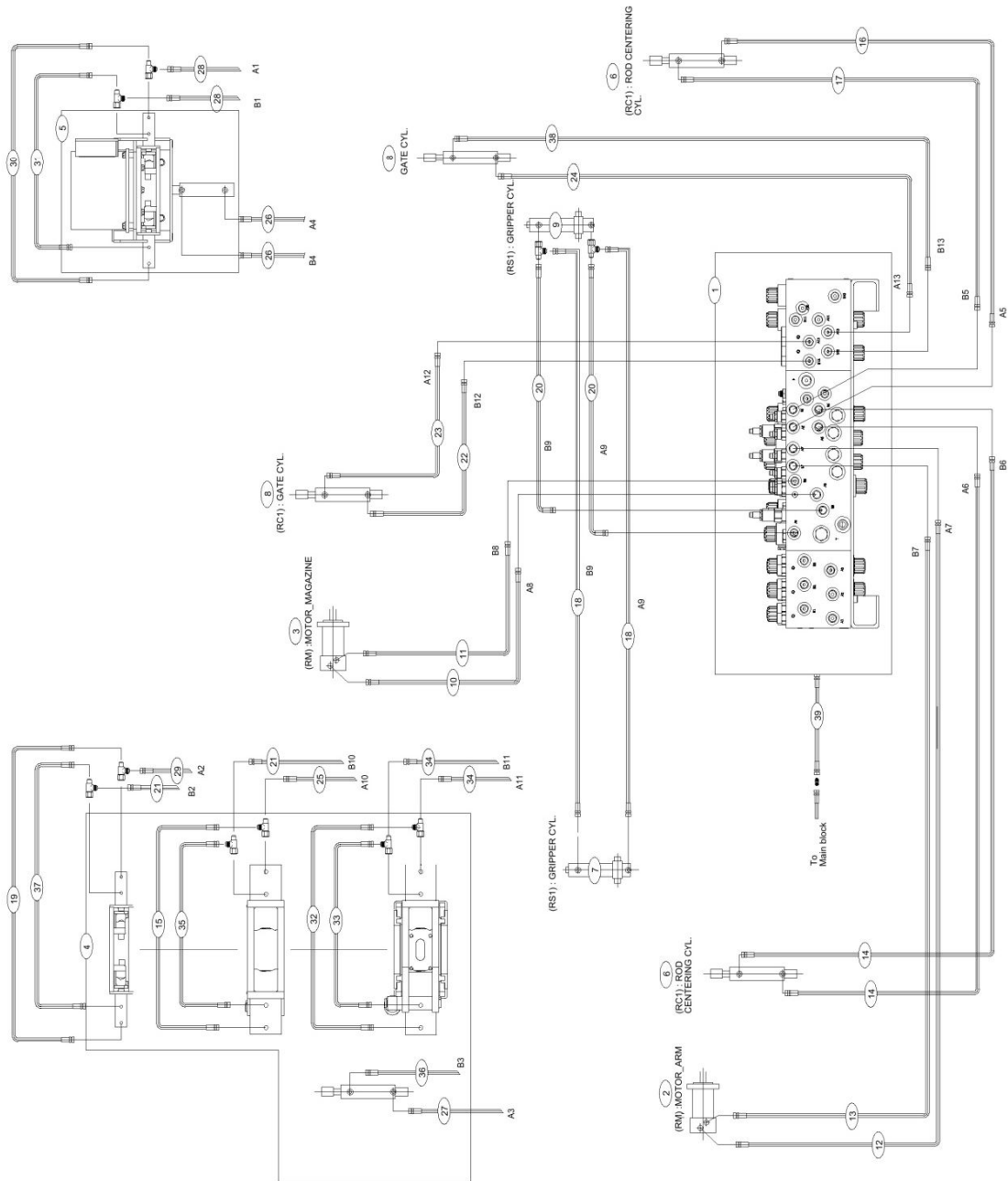


Fig.	11.400	ARC LINE
	D700	RJ124-0007 A

Item	Part Number	Part Name	Qty	See Fig.	Remarks
1	RJ124-0049	ARC BLOCK FITTING ASSY	1	11.410	
2	RJ124-0042	FITTING ASSY	1	11.420	
3	RJ124-0044	FITTING ASSY	1	11.430	
4	RJ124-0047	CYLINDER NIPPLE ASSY	1	11.440	
5	RJ124-0048	CYLINDER NIPPLE ASSY	1	11.450	
6	RJ124-0046	CYLINDER NIPPLE ASSY	2	11.460	
7	RJ124-0066	CYLINDER NIPPLE ASSY	1	11.490	
8	RJ124-0043	CYLINDER NIPPLE ASSY	2	11.480	
9	RJ124-0045	CYLINDER NIPPLE ASSY	1	11.470	
10	RA245-5140D450	HYD HOSE	1		
11	RA290-5140D455	HYD HOSE	1		
12	RA245-5140D265	HYD HOSE	1		
13	RA245-5140D260	HYD HOSE	1		
14	RA290-5140D230	HYD HOSE	2		
15	RA211-5140D105	HYD. HOSE	1		
16	RA290-5140D162	HYD HOSE	1		
17	RA245-5140D172	HYD HOSE	1		
18	RA211-5140D280	HYD. HOSE	2		
19	RA290-5140D100	HYD HOSE	1		
20	RA211-5140D300	HYD. HOSE	2		
21	RA290-5140D318	HYD HOSE	2		
22	RA245-5140D415	HYD HOSE	1		
23	RA245-5140D425	HYD HOSE	1		
24	RA290-5140D220	HYD HOSE	1		
25	RA290-5140D400	HYD HOSE	1		
26	RA245-5140D335	HYD HOSE	2		
27	RA290-5140D355	HYD HOSE	1		
28	RA290-5140D415	HYD HOSE	2		
29	RA290-5140D405	HYD HOSE	1		
30	RA211-5140D090	HYD. HOSE	1		
31	RA211-5140D080	HYD. HOSE	1		
32	RA211-5140D110	HYD. HOSE	1		
33	RA211-5140D100	HYD. HOSE	1		
34	RA290-5140D300	HYD HOSE	2		
35	RA290-5140D095	HYD HOSE	1		
36	RA290-5140D490	HYD HOSE	1		
37	RA290-5140D090	HYD HOSE	1		
38	RA290-5140D235	HYD HOSE	1		
39	RA211-5140D620	HYD. HOSE	1		

Fig. 11.410	ARC BLOCK FITTING ASSY
D700	RJ124-0049

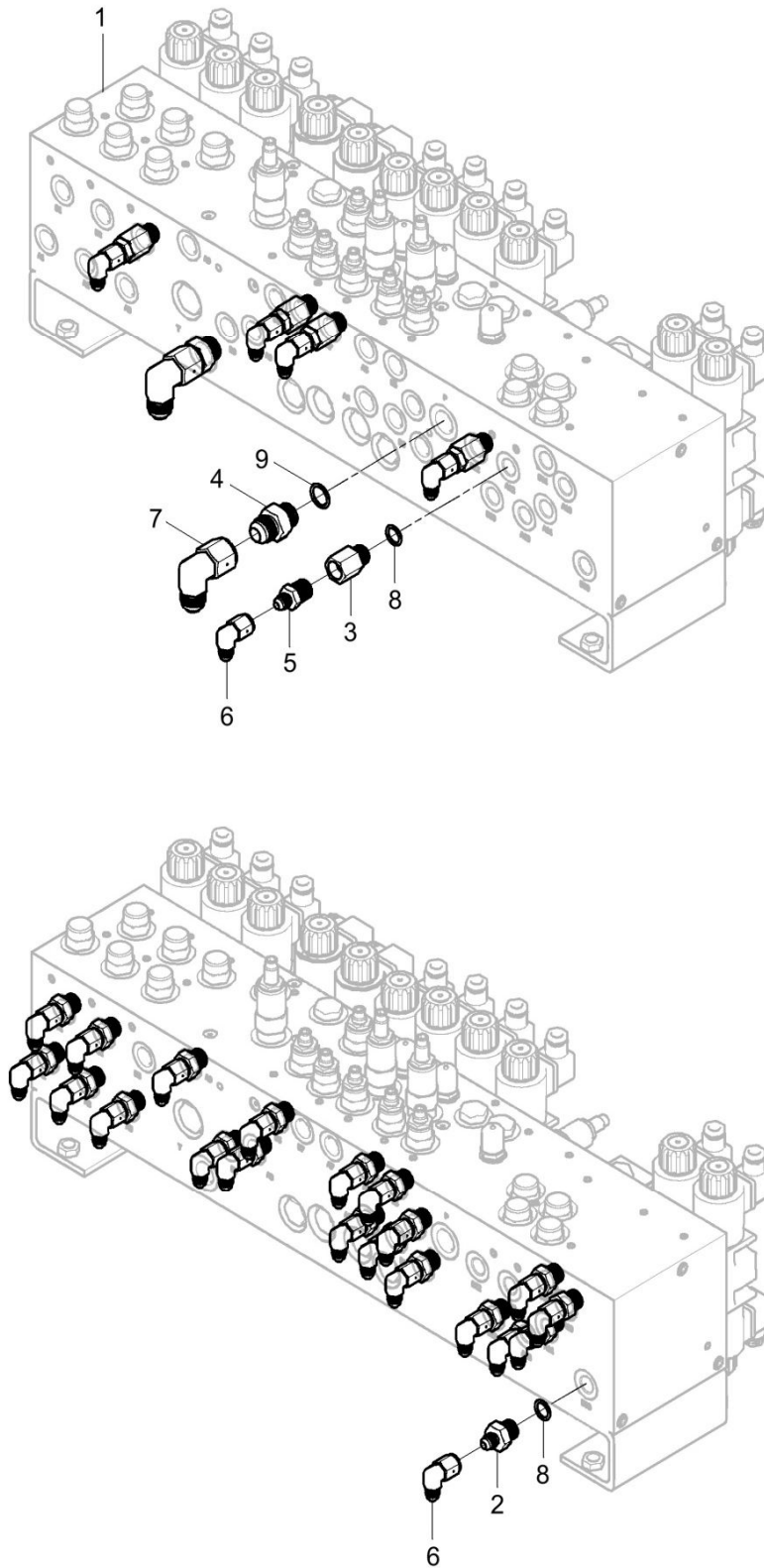


Fig.	11.410	ARC BLOCK FITTING ASSY
	D700	RJ124-0049

Item	Part Number	Part Name	Qty	See Fig.	Remarks
1	RJ150-0011	ARC VALVE	1		
2	RA307-6107	ADAPTER	21		UNF1/2 PF3/8
3	RA311-8102	ADAPTER	5		PF3/8 - PT3/8
4	RA307-6116	ADAPTER	2		UNF7/8-PF1/2
5	RA300-1107	NIPPLE	5		PT3/8-UNF1/2
6	RA305-7102	ELBOW	26		UNF1/2
7	RA305-7105	ELBOW	2		UNF7/8
8	S8000141	O-RING	26		P14-1B
9	S8000181	O-RING	2		P18-1B
EOL					

Fig.	11.410	ARC VALVE
	D700	RJ150-0011 A

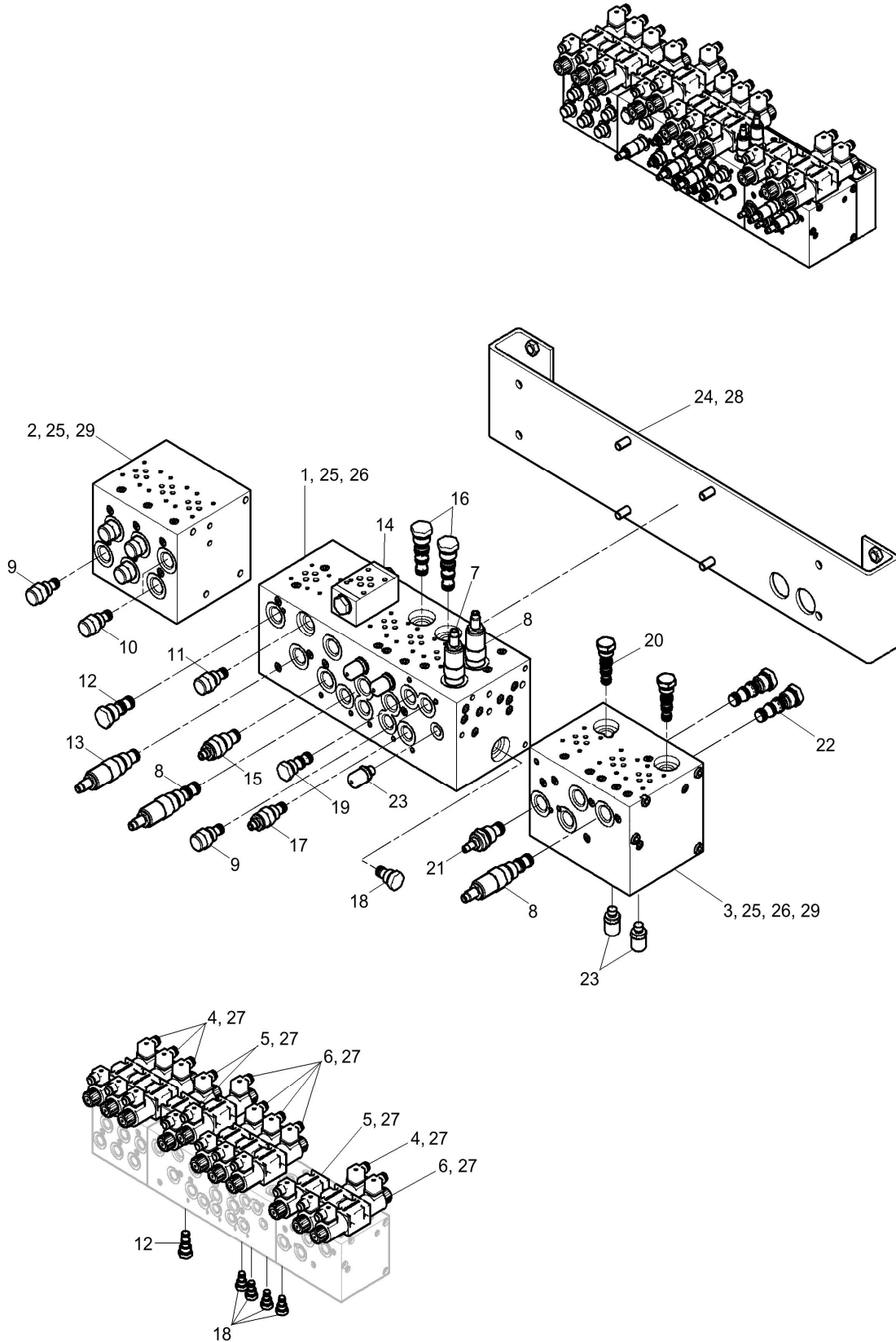


Fig.	11.410	ARC VALVE
	D700	RJ150-0011 A

Item	Part Number	Part Name	Qty	See Fig.	Remarks
1	RJ150-0147	BODY	1		
2	RJ150-0149	BODY	1		
3	RJ150-0148	BODY	1		
4	RJ150-0150	SOLENOID VALVE	4		
5	RJ150-0151	SOLENOID VALVE	3		
6	RJ150-0152	SOLENOID VALVE	5		
7	RJ150-0153	VALVE	1		
8	RJ150-0154	VALVE	5		
9	RJ150-0155	VALVE	5		
10	RJ150-0156	VALVE	2		
11	RJ150-0157	VALVE	1		
12	RJ150-0158	VALVE	2		
13	RJ150-0159	VALVE	1		
14	RJ150-0160	BLOCK	1		
15	RJ150-0164	VALVE	2		
16	RJ150-0165	VALVE	2		
17	RJ150-0166	VALVE	4		
18	RJ150-0167	VALVE	5		
19	RJ150-0168	VALVE	1		
20	RJ150-0169	VALVE	2		
21	RJ150-0170	VALVE	2		
22	RJ150-0171	VALVE	2		
23	RJ150-0172	PLUG	5		
24	RJ150-0173	BRACKET	1		
25	RJ150-0176	PLUG	50		
26	RJ150-0177	PLUG	15		
27	RJ150-0178	CONNECTOR	21		
28	RJ150-0179	BOLT	4		
29	RJ150-0180	BOLT	8		

EOL

Fig.	11.420	FITTING ASSY
	D700	RJ124-0042

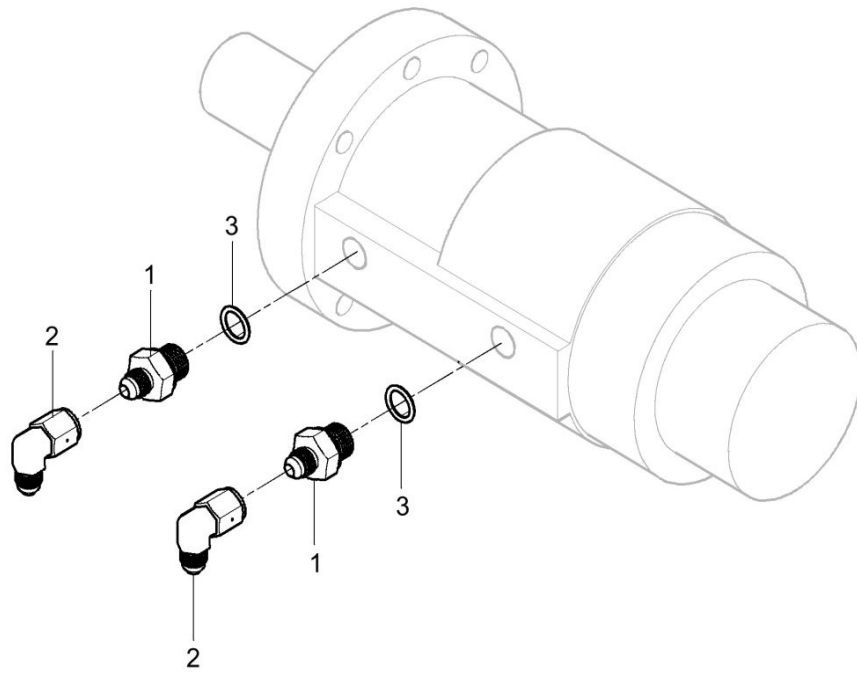


Fig.	11.420	FITTING ASSY
	D700	RJ124-0042

Item	Part Number	Part Name	Qty	See Fig.	Remarks
1	RA307-6107	ADAPTER	2		UNF1/2 PF3/8
2	RA305-7102	ELBOW	2		UNF1/2
3	S8000141	O-RING	2		P14-1B
EOL					

Fig.	11.430	FITTING ASSY
	D700	RJ124-0044

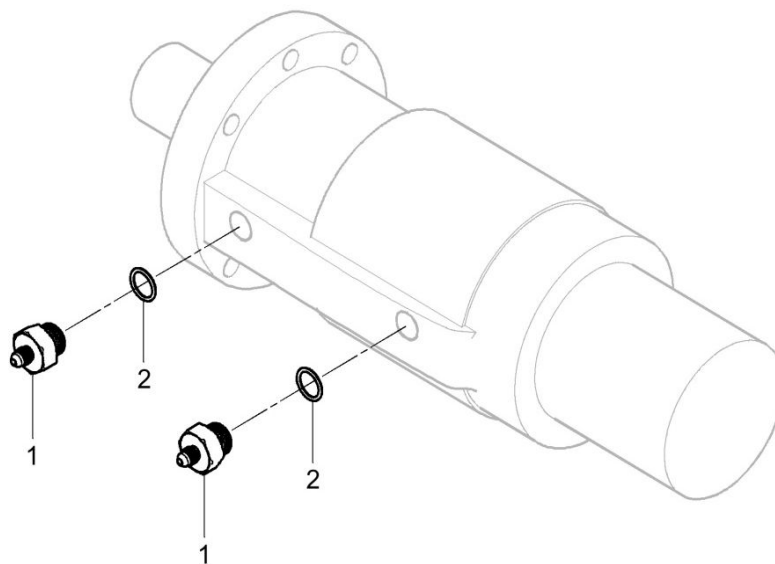


Fig.	11.430	FITTING ASSY
	D700	RJ124-0044

Item	Part Number	Part Name	Qty	See Fig.	Remarks
1	RA307-6130	ADAPTER	2		PF1/2-UNF1/2
2	S8000181	O-RING	2		P18-1B
EOL					

Fig. 11.440	CYLINDER NIPPLE ASSY
D700	RJ124-0047

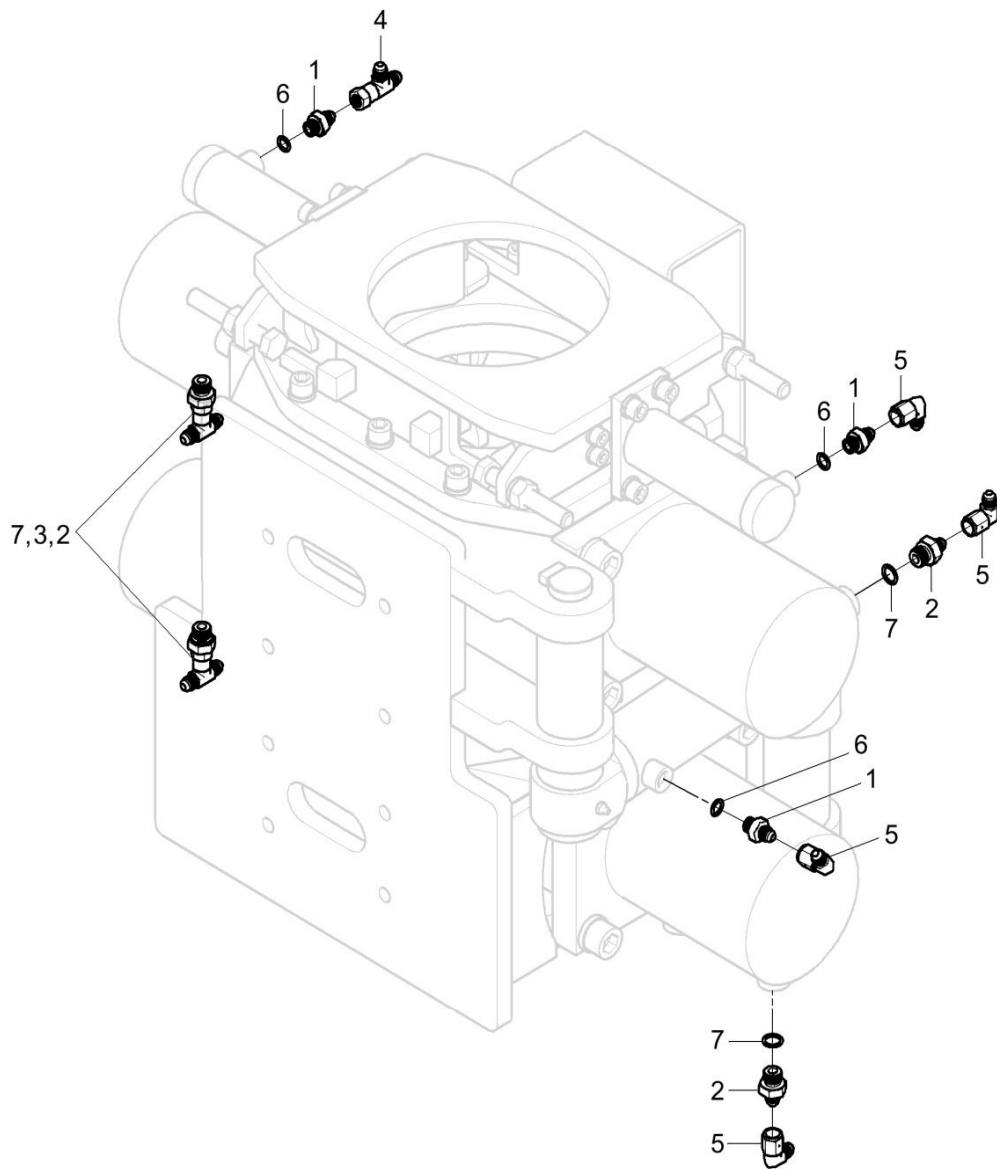


Fig.	11.440	CYLINDER NIPPLE ASSY
	D700	RJ124-0047

Item	Part Number	Part Name	Qty	See Fig.	Remarks
1	RA307-6106	ADAPTER	6		UNF1/2-PF1/4
2	RA307-6107	ADAPTER	8		UNF1/2 PF3/8
3	RA306-1102	TEE	4		UNF1/2
4	RA305-9102	TEE	2		UNF1/2
5	RA305-7102	ELBOW	8		UNF1/2
6	S8000111	O-RING	6		P11-1B
7	S8000141	O-RING	8		P14-1B

EOL

Fig. 11.450	CYLINDER NIPPLE ASSY
D700	RJ124-0048

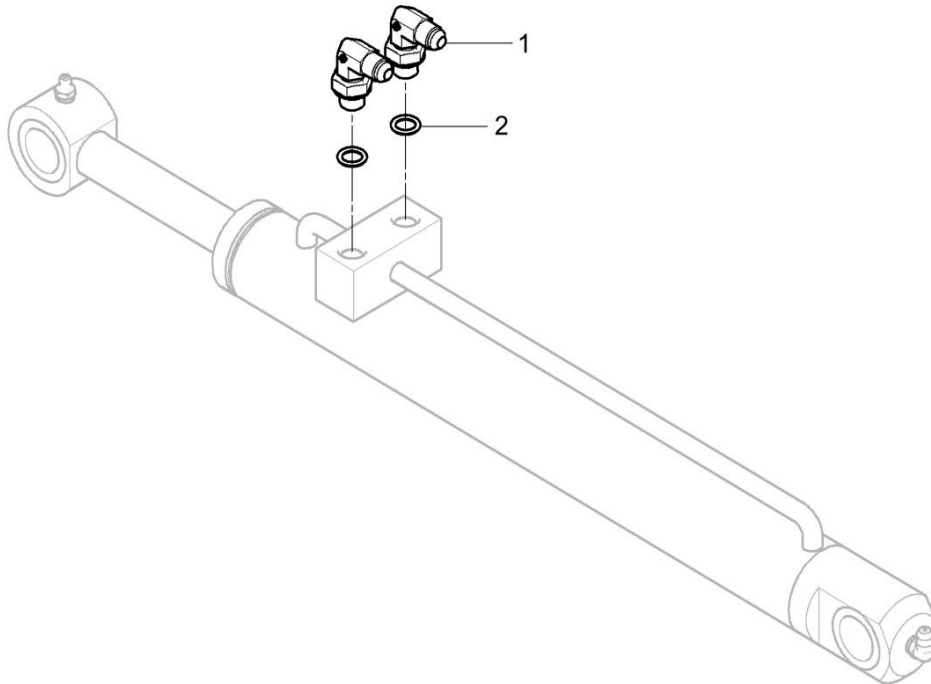


Fig.	11.450	CYLINDER NIPPLE ASSY
	D700	RJ124-0048

Item	Part Number	Part Name	Qty	See Fig.	Remarks
1	RA303-0106	ELBOW	2		UNF1/2-20 - PF1/4-19
2	S8000111	O-RING	2		P11-1B
EOL					

Fig. 11.460	CYLINDER NIPPLE ASSY
D700	RJ124-0046

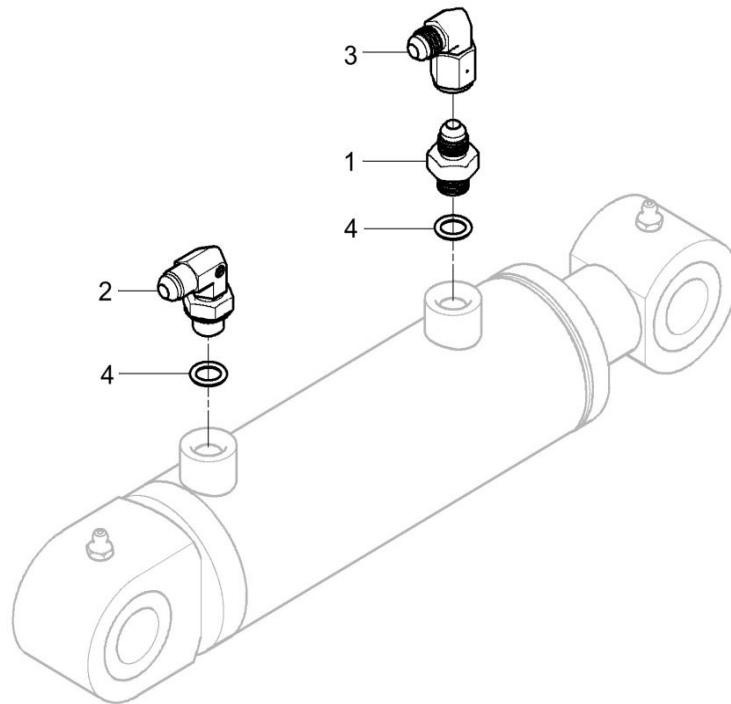


Fig. 11.460	CYLINDER NIPPLE ASSY
D700	RJ124-0046

Item	Part Number	Part Name	Qty	See Fig.	Remarks
1	RA307-6106	ADAPTER	1		UNF1/2-PF1/4
2	RA303-0106	ELBOW	1		UNF1/2-20 - PF1/4-19
3	RA305-7102	ELBOW	1		UNF1/2
4	S8000111	O-RING	2		P11-1B
EOL					

Fig.	11.470	CYLINDER NIPPLE ASSY
	D700	RJ124-0045

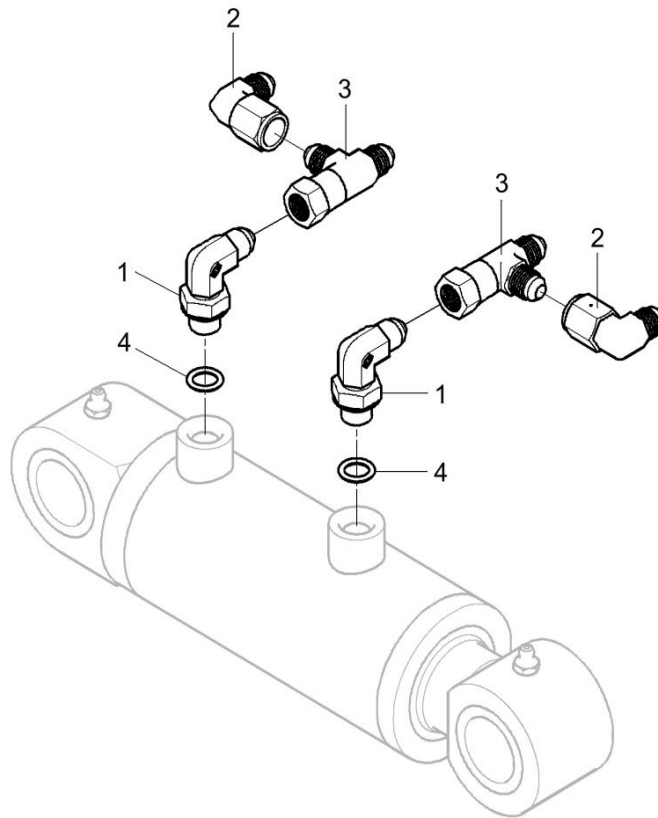


Fig. 11.470	CYLINDER NIPPLE ASSY
D700	RJ124-0045

Item	Part Number	Part Name	Qty	See Fig.	Remarks
1	RA303-0106	ELBOW	2		UNF1/2-20 - PF1/4-19
2	RA305-7102	ELBOW	2		UNF1/2
3	RA305-9102	TEE	2		UNF1/2
4	S8000111	O-RING	2		P11-1B
EOL					

Fig. 11.480	CYLINDER NIPPLE ASSY
D700	RJ124-0043

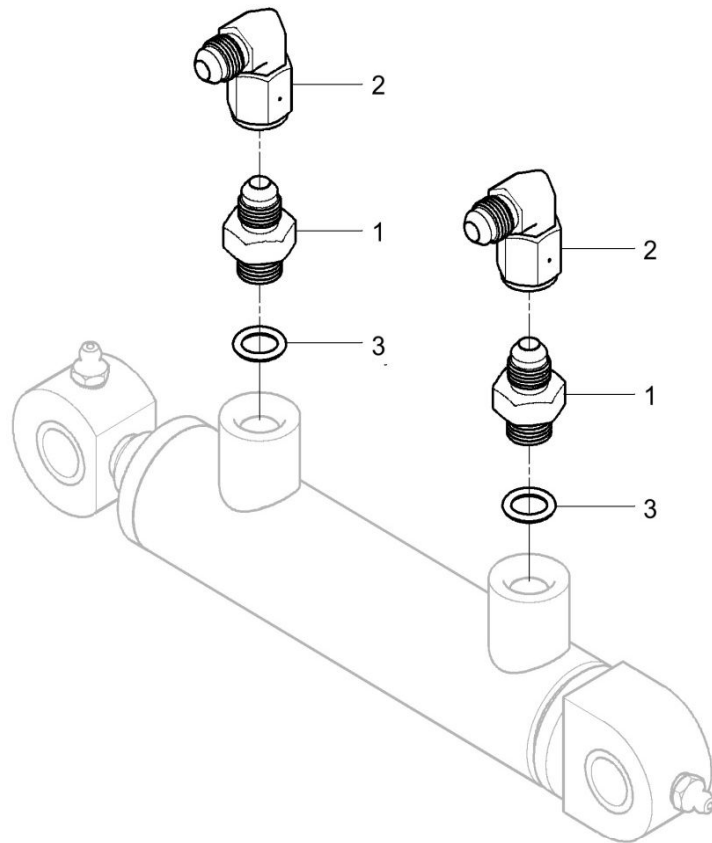


Fig.	11.480	CYLINDER NIPPLE ASSY
	D700	RJ124-0043

Item	Part Number	Part Name	Qty	See Fig.	Remarks
1	RA307-6106	ADAPTER	2		UNF1/2-PF1/4
2	RA305-7102	ELBOW	2		UNF1/2
3	S8000111	O-RING	2		P11-1B

EOL

Fig.	11.490	CYLINDER NIPPLE ASSY
	D700	RJ124-0066

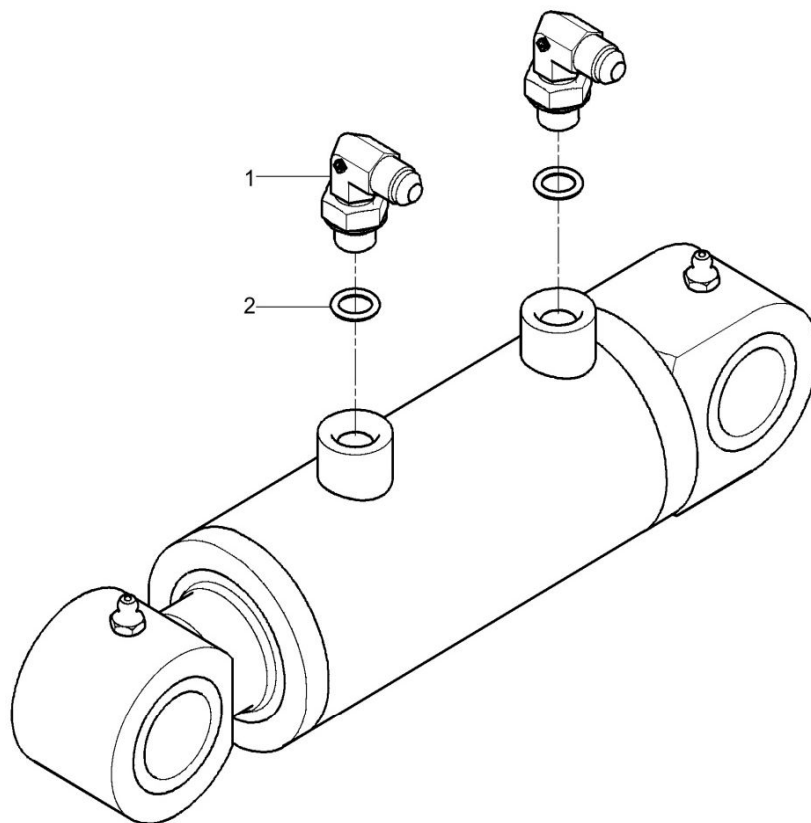


Fig.	11.490	CYLINDER NIPPLE ASSY
	D700	RJ124-0066

Item	Part Number	Part Name	Qty	See Fig.	Remarks
1	RA303-0106	ELBOW	2		UNF1/2-20 - PF1/4-19
2	S8000111	O-RING	2		P11-1B
EOL					

Fig.	11.500	MAST LINE
	D700	RJ124-0008 A

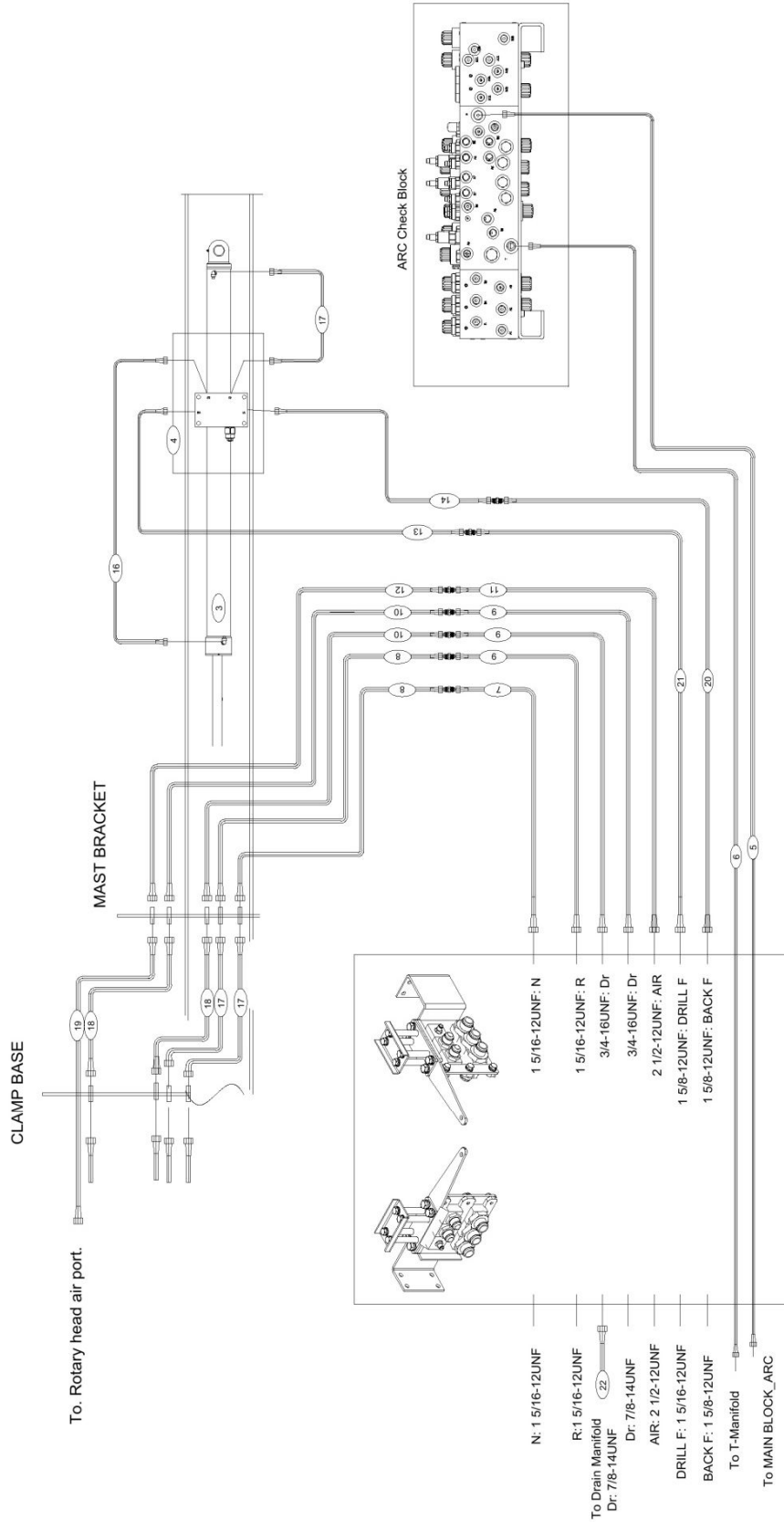


Fig.	11.500	MAST LINE
	D700	RJ124-0008 A

Item	Part Number	Part Name	Qty	See Fig.	Remarks
1	RJ124-0051	TERMINAL FITTING ASSY	1	11.510	
2	RJ124-0052	TERMINAL FITTING ASSY	1	11.520	
3	RJ124-0053	MAST EXTENSION CYL FITTING ASSY	1	11.530	
4	RJ124-0054	FITTING ASSY	1	11.540	
5	RA211-5360D610	HYD HOSE	1		
6	RA211-5360D620	HYD HOSE	1		
7	RA245-5560D340	HYD HOSE	2		
8	RA245-5560D520	HYD HOSE	2		
9	RA211-5240D340	HYD. HOSE	2		
10	RA245-5240D520	HYD HOSE	2		
11	RA245-5820D340	HYD HOSE	1		
12	RA245-5820D520	HYD HOSE	1		
13	RA211-5640D870	HYD HOSE	1		
14	RA211-5640D850	HYD HOSE	1		
15	RA211-5640D080	HYD HOSE	1		
16	RA211-5640D400	HYD HOSE	1		
17	RA211-5560D492	HYD HOSE	2		
18	RA211-5240D487	HYD. HOSE	2		
19	RA211-5820D540	HYD HOSE	1		
20	RA211-5640D300	HYD HOSE	1		
21	RA211-5640D320	HYD HOSE	1		
22	RA211-5360D530	HYD HOSE	1		

EOL

Fig. 11.510	TERMINAL FITTING ASSY
D700	RJ124-0051

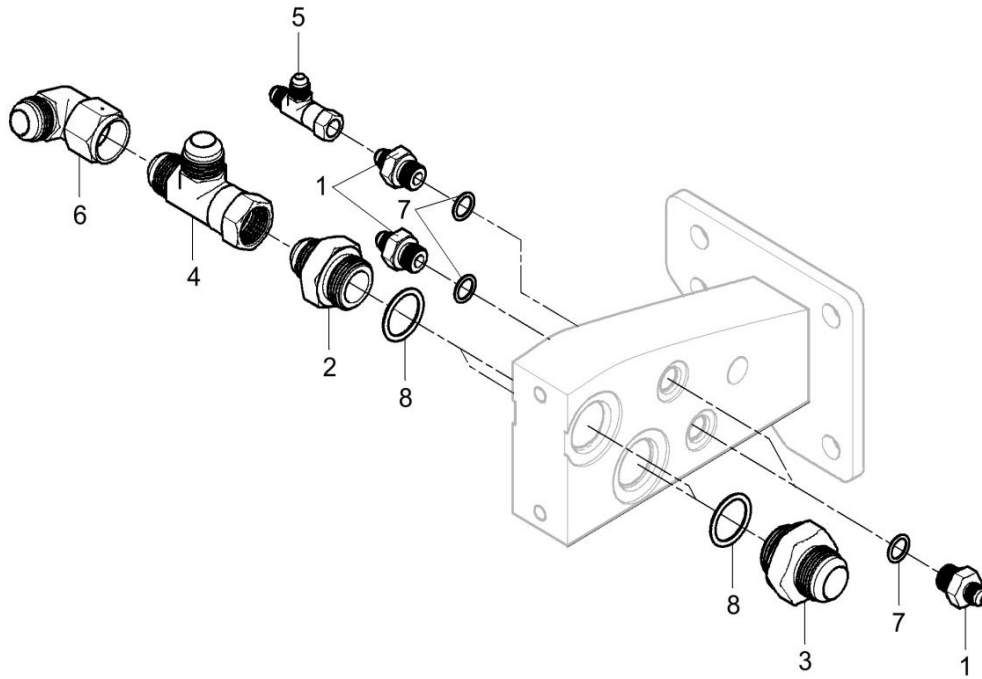


Fig.	11.510	TERMINAL FITTING ASSY
	D700	RJ124-0051

Item	Part Number	Part Name	Qty	See Fig.	Remarks
1	RA307-6107	ADAPTER	4		UNF1/2 PF3/8
2	RA307-6120	ADAPTER	2		PF1-UNF1 1/16
3	RA307-6123	ADAPTER	2		UNF15/16-PF1
4	RA305-9106	TEE	2		UNF1 1/16-12
5	RA305-9102	TEE	1		UNF1/2
6	RA305-7106	ELBOW	2		UNF1 1/16-12
7	S8000141	O-RING	4		P14-1B
8	S8000291	O-RING	4		P29-1B
EOL					

Fig. 11.520	TERMINAL FITTING ASSY
D700	RJ124-0052

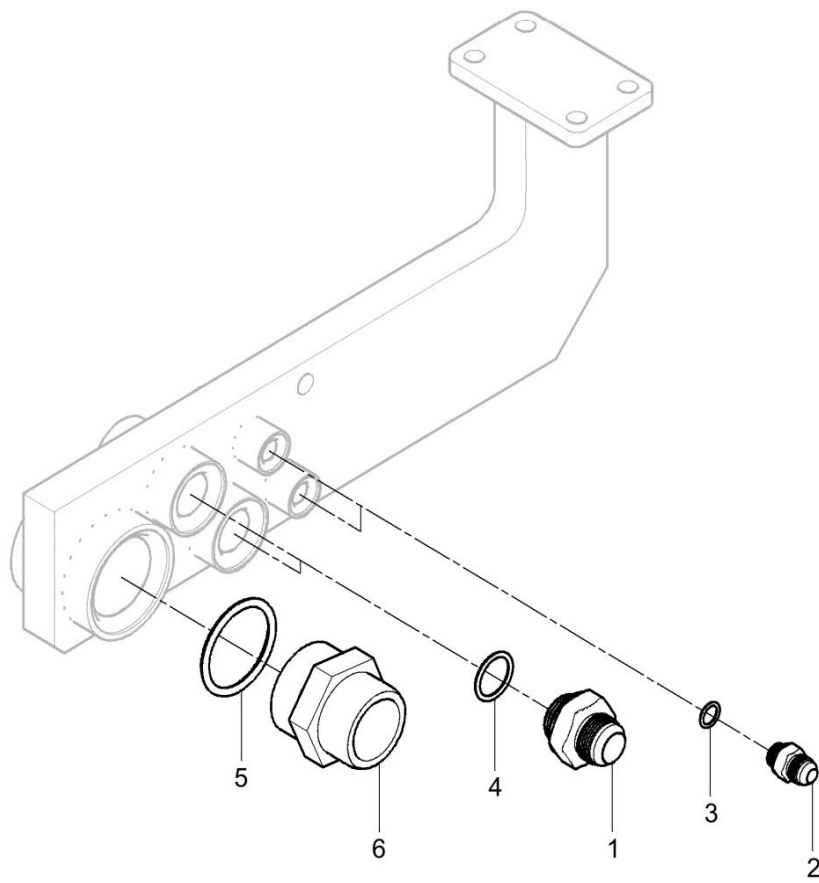


Fig.	11.520	TERMINAL FITTING ASSY
	D700	RJ124-0052

Item	Part Number	Part Name	Qty	See Fig.	Remarks
1	RA307-6123	ADAPTER	4		UNF15/16-PF1
2	RA307-6112	ADAPTER	4		UNF3/4-PF3/8
3	S8000141	O-RING	4		P14-1B
4	S8000291	O-RING	4		P29-1B
5	S8000601	O RING	2		P60-1B
6	RA307-6131	NIPPLE	2		PF2 - UNF2 1/2

EOL

Fig. 11.530	MAST EXTENSION CYL FITTING ASSY
D700	RJ124-0053

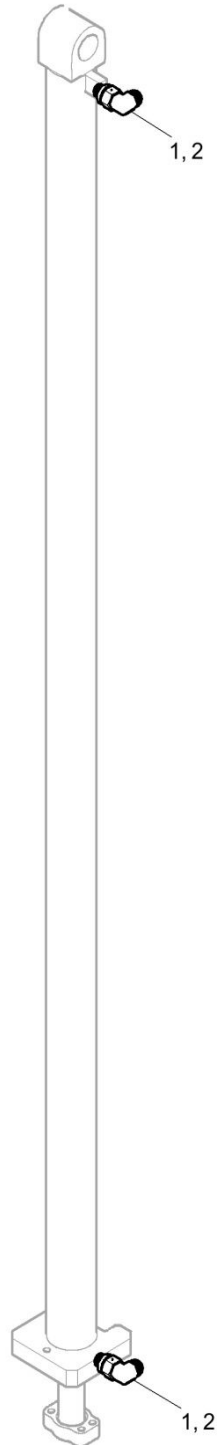


Fig. 11.530	MAST EXTENSION CYL FITTING ASSY
D700	RJ124-0053

Item	Part Number	Part Name	Qty	See Fig.	Remarks
1	RA300-1118	NIPPLE	2		PT1-UNF1 5/8
2	RA305-7108	ELBOW	2		UNF 1 5/8
EOL					

Fig.	11.540	COUNTER BALANCE VALVE FITTING ASSY
	D700	RJ124-0054 A

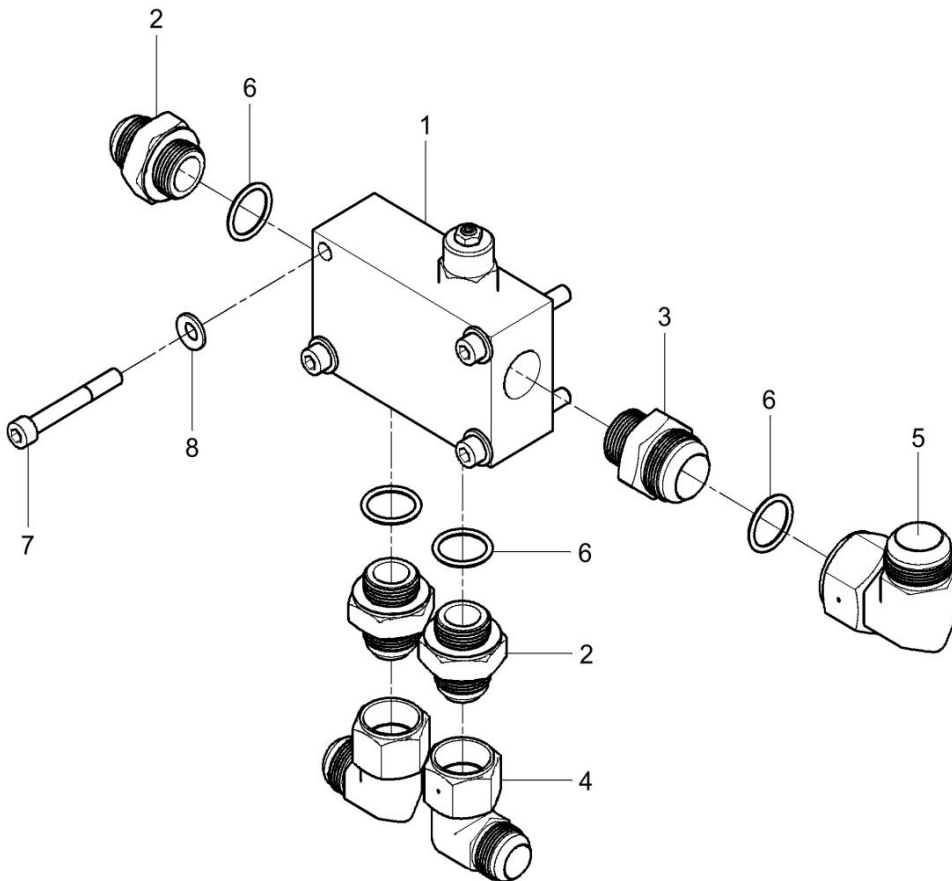


Fig.	11.540	COUNTER BALANCE VALVE FITTING ASSY
	D700	RJ124-0054 A

Item	Part Number	Part Name	Qty	See Fig.	Remarks
1	RJ150-0023	COUNTER BALANCE VALVE	1		
2	RA307-6123	ADAPTER	3		UNF15/16-PF1
3	RA307-6125	ADAPTER	1		PF1-UNF 1 5/8
4	RA305-7107	ELBOW	2		UNF1 5/16-12
5	RA305-7108	ELBOW	1		UNF 1 5/8
6	S8000291	O-RING	4		P29-1B
7	S2213163	SOCKET BOLT	4		M10x1.5-L75-ZPC3
8	S5231003	HARDENED WASHER	4		D10-Fe/Zn8/HB
EOL					

Fig. 11.540	COUNTER BALANCE VALVE
D700	RJ150-0023 A

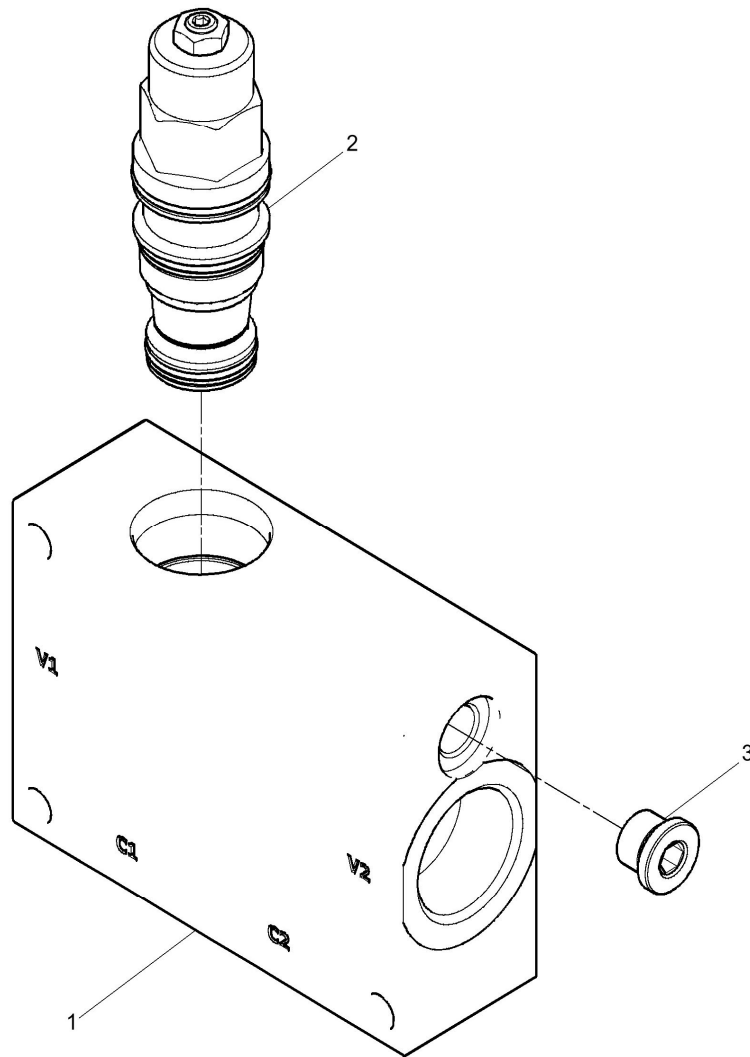


Fig. 11.540	COUNTER BALANCE VALVE
D700	RJ150-0023 A

Item	Part Number	Part Name	Qty	See Fig.	Remarks
1	RJ150-0099	BODY	1		
2	RJ150-0100	VALVE	1		
3	RJ150-0101	PLUG	1		
EOL					

Fig.	11.550	ROTARY HEAD LINE
	D700	RJ124-0009

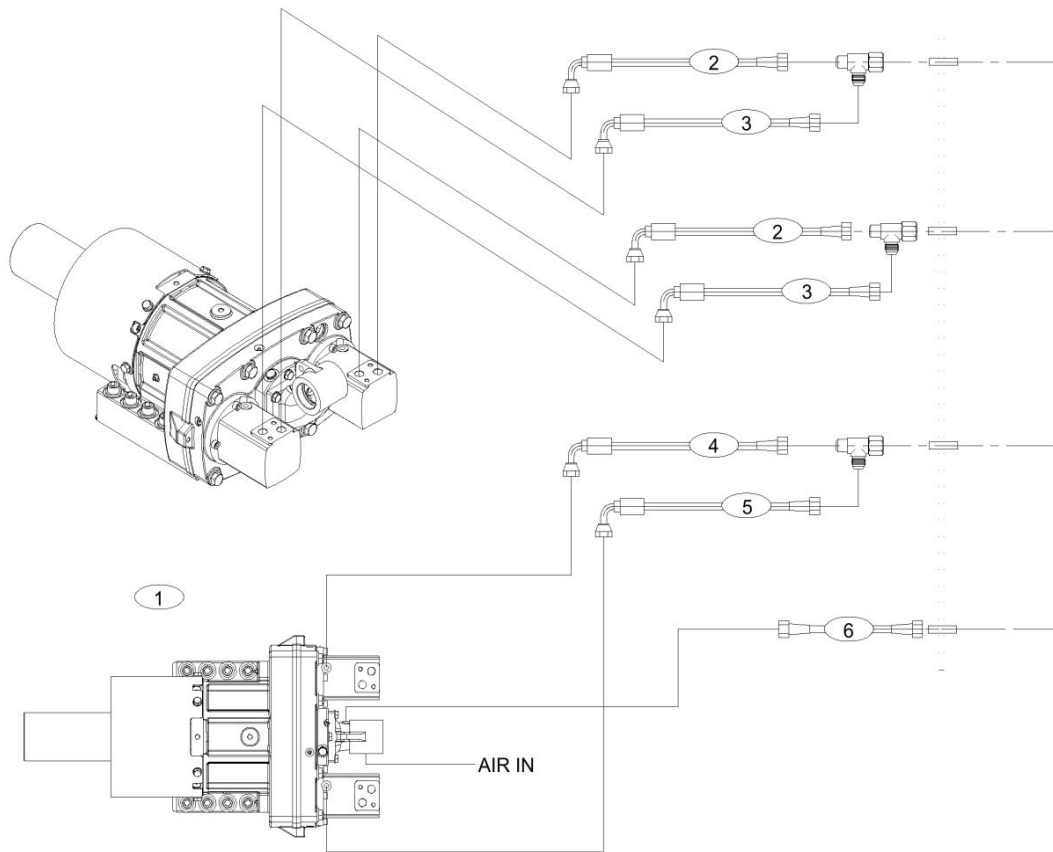


Fig.	11.550	ROTARY HEAD LINE
	D700	RJ124-0009

Item	Part Number	Part Name	Qty	See Fig.	Remarks
1	RJ124-0057	ROTARY HEAD FITTING ASSY	1	11.560	
2	RA290-5470D055	HYD HOSE	2		
3	RA290-5470D075	HYD HOSE	2		
4	RA290-5240D055	HYD. HOSE	1		
5	RA290-5240D075	HYD HOSE	1		
6	RA211-5140D075	HYD. HOSE	1		

EOL

Fig.	11.560	ROTARY HEAD FITTING ASSY
	D700	RJ124-0057

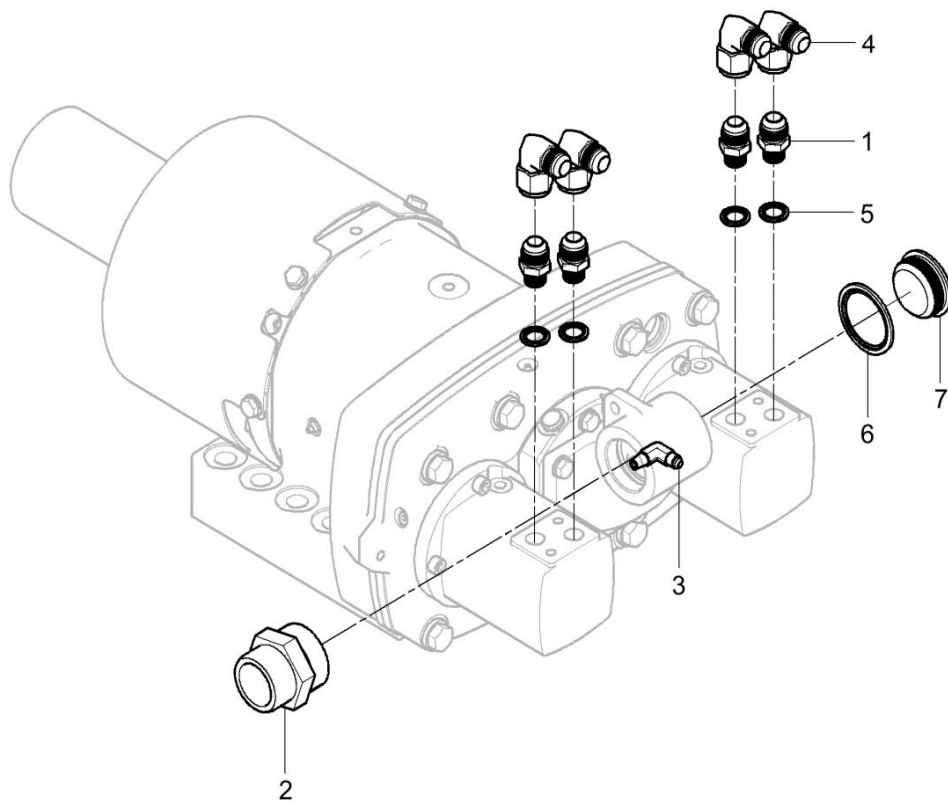


Fig.	11.560	ROTARY HEAD FITTING ASSY
	D700	RJ124-0057

Item	Part Number	Part Name	Qty	See Fig.	Remarks
1	RA307-6118	ADAPTER	4		PF1/2-UNF1 1/16
2	RA307-6131	NIPPLE	1		PF2 - UNF2 1/2
3	RA302-0104	ELBOW	1		PT1/4 - UNF1/2 -20
4	RA305-7106	ELBOW	4		UNF1 1/16-12
5	D-55010300	U-SEAL	4		G1/2
6	RA350-0052	ROTARY HEAD FITTING ASSY	1		PF2
7	RA312-5109	ROTARY HEAD FITTING ASSY	1		PF2

EOL

Fig. 11.570	AIR LINE
D700	RJ124-0010 A

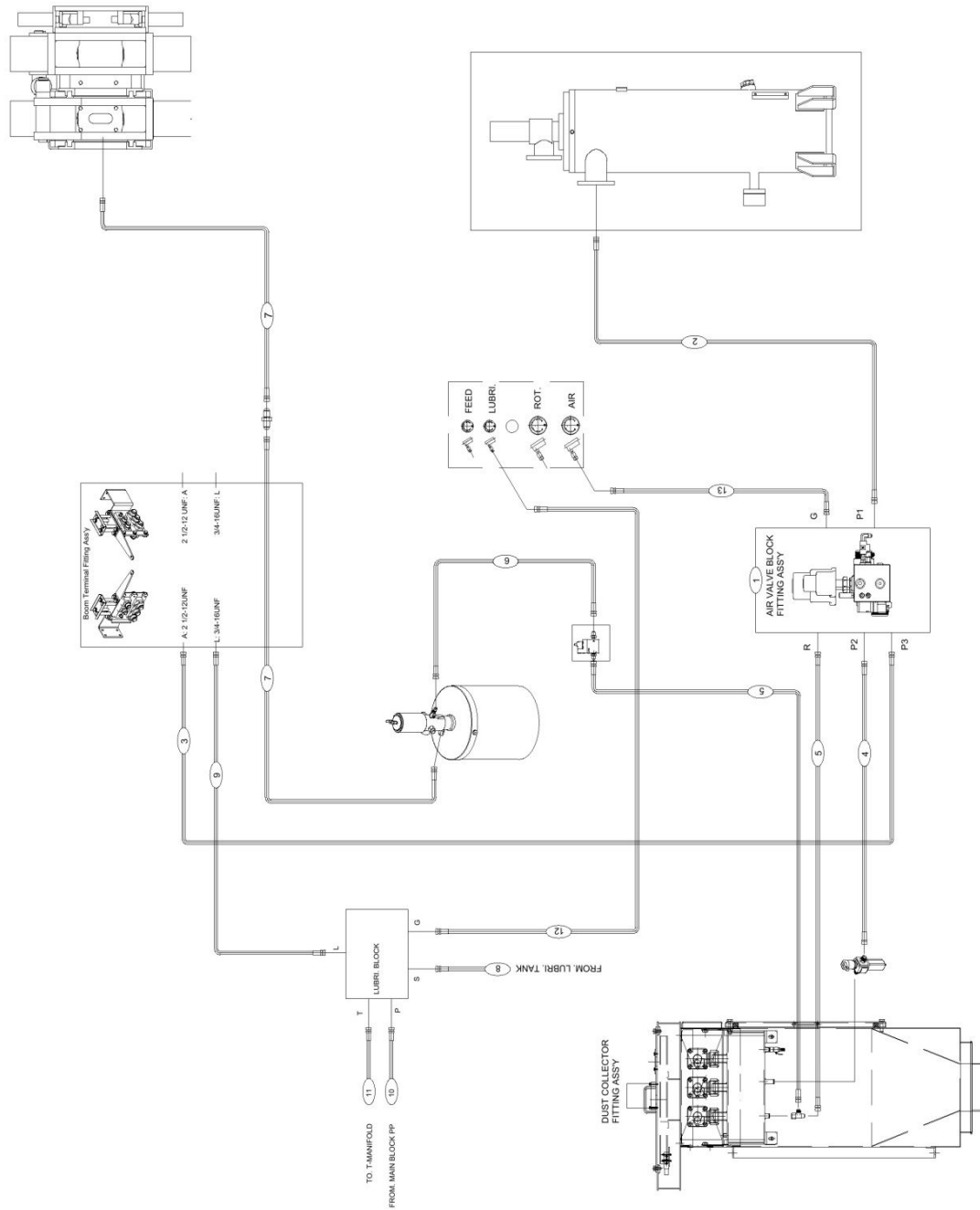


Fig.	11.570	AIR LINE
	D700	RJ124-0010 A

Item	Part Number	Part Name	Qty	See Fig.	Remarks
1	RJ124-0063	FITTING ASSY	1	11.580	
2	RA211-5820D175	HYD HOSE	1		
3	RA211-5820D430	HYD HOSE	1		
4	RA290-5470D300	HYD HOSE	1		
5	RA211-5140D300	HYD. HOSE	2		
6	RA290-5140D060	HYD HOSE	1		
7	RA211-5140D700	HYD. HOSE	2		
8	RA211-5330D100	HYD HOSE	1		
9	RA211-5240D510	HYD. HOSE	1		
10	RA211-5140D400	HYD. HOSE	1		
11	RA211-5140D250	HYD. HOSE	1		
12	RA299-0024	GAUGE HOSE	1		
13	RA299-0025	GAUGE HOSE	1		

EOL

Fig. 11.580	FITTING ASSY
D700	RJ124-0063

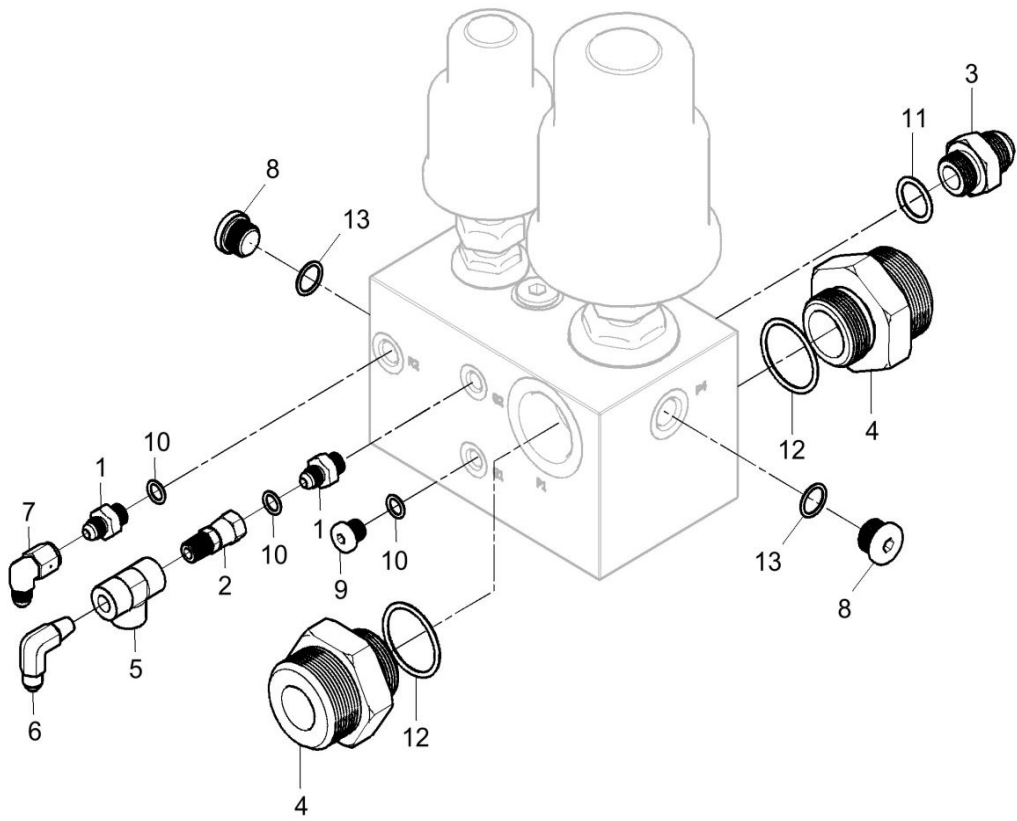


Fig.	11.580	FITTING ASSY
	D700	RJ124-0063

Item	Part Number	Part Name	Qty	See Fig.	Remarks
1	RA307-6106	ADAPTER	2		UNF1/2-PF1/4
2	RA307-3104	ADAPTER	1		PT1/4 UNF1/2
3	RA307-6119	ADAPTER	1		PF3/4-UNF1 1/16
4	RJ151-0028	NIPPLE	2		PF1 1/2 - UNF2 1/2
5	RA310-1102	TEE	1		PT1/4
6	RA302-0104	ELBOW	1		PT1/4 - UNF1/2 -20
7	RA305-7102	ELBOW	1		UNF1/2
8	RA312-5104	PLUG	2		PF1/2
9	RA312-5102	PLUG	1		PF1/4
10	S8000111	O-RING	3		P11-1B
11	S8000241	O-RING	1		P24-1B
12	S8000441	O RING	2		P44-1B
13	S8000181	O-RING	2		P18-1B

EOL

Fig. 11.580	AIR VALVE
D700	RJ150-0048 A

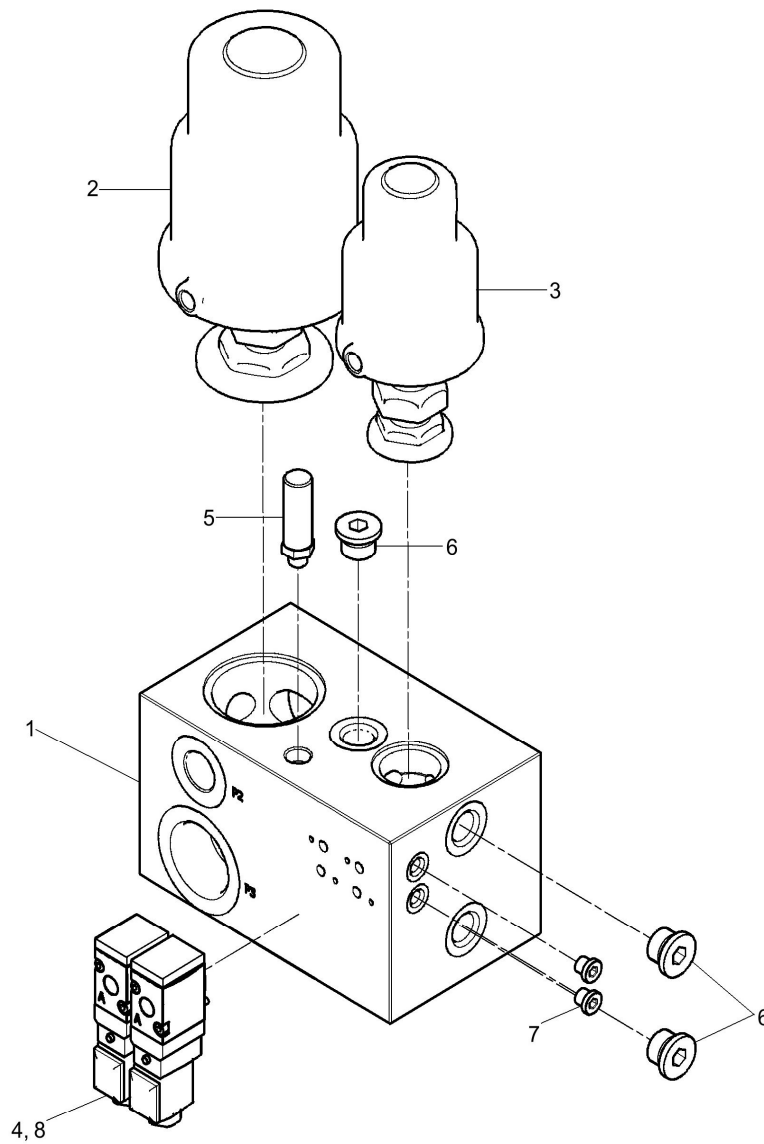


Fig.	11.580	AIR VALVE
	D700	RJ150-0048 A

Item	Part Number	Part Name	Qty	See Fig.	Remarks
1	RJ150-0069	BODY	1		
2	RJ150-0071	VALVE	1		
3	RJ150-0070	VALVE	1		
4	RJ150-0076	SOLENOID VALVE	2		
5	RJ150-0075	SILENCER	1		
6	RJ150-0073	PLUG	3		
7	RJ150-0074	PLUG	2		
8	RJ150-0072	BOLT	4		

EOL

Fig. 11.590	FUEL LINE
D700	RJ124-0011

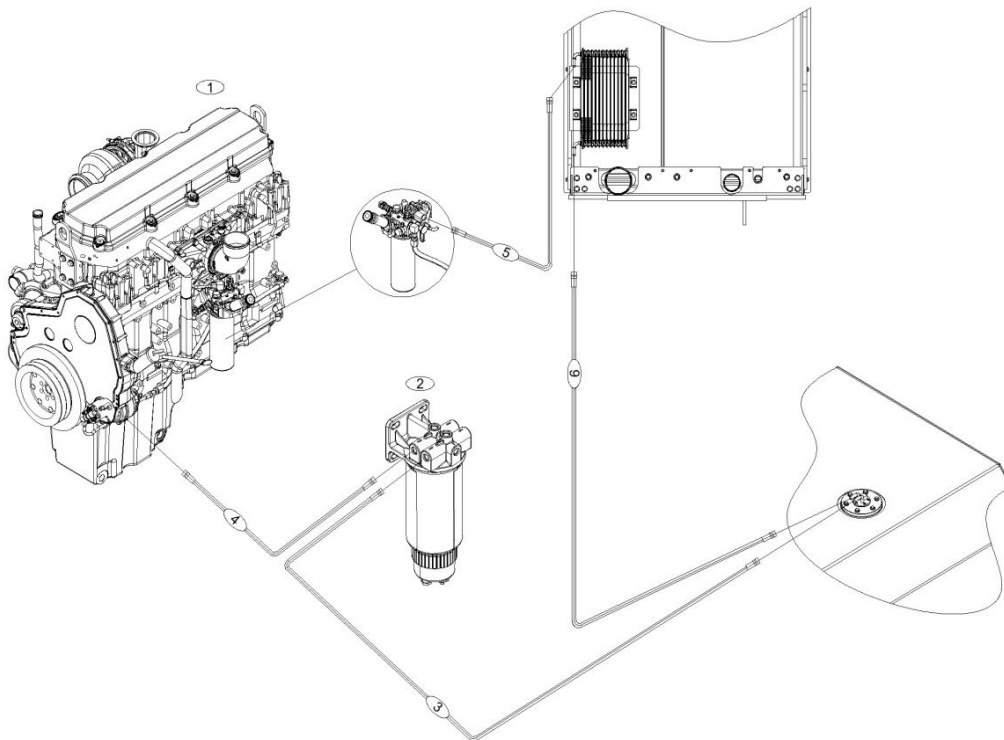


Fig.	11.590	FUEL LINE
	D700	RJ124-0011

Item	Part Number	Part Name	Qty	See Fig.	Remarks
1	RJ124-0056	PUMP FITTING ASSY	1	11.600	
2	RJ124-0055	SEPERATOR FITTING ASSY	1	11.610	
3	RA299-0016	HYD HOSE	1		
4	RA299-0017	HYD HOSE	1		
5	RA299-0018	HYD HOSE	1		
6	RA299-0019	HYD HOSE	1		

EOL

Fig. 11.600	PUMP FITTING ASSY
D700	RJ124-0056

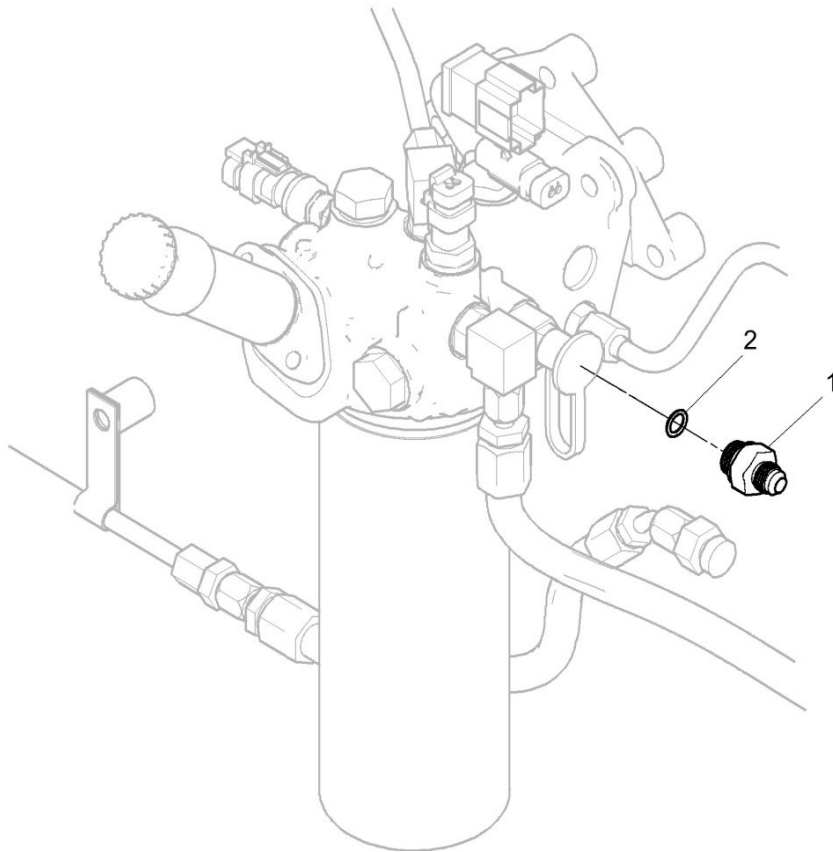


Fig.	11.600	PUMP FITTING ASSY
	D700	RJ124-0056

Item	Part Number	Part Name	Qty	See Fig.	Remarks
1	RA300-9106	NIPPLE	1		UNF 9/16 - UNF 9/16
2	S8000101	O-RING	1		P10-1B
EOL					

Fig. 11.610	SEPERATOR FITTING ASSY
D700	RJ124-0055

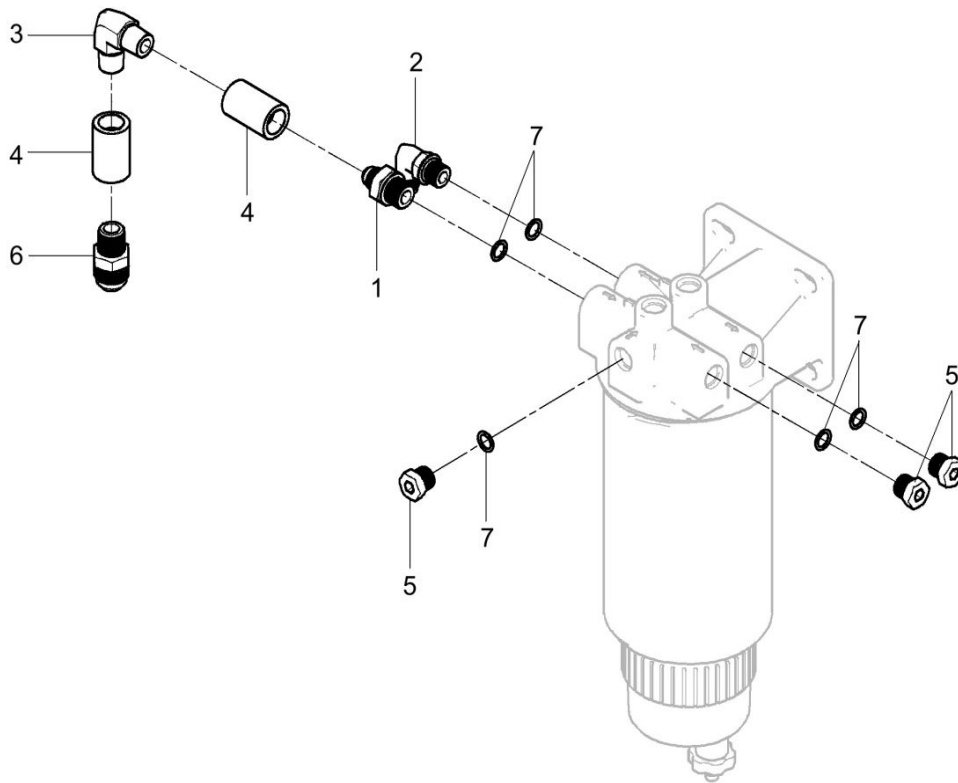


Fig.	11.610	SEPERATOR FITTING ASSY
	D700	RJ124-0055

Item	Part Number	Part Name	Qty	See Fig.	Remarks
1	RJ151-0027	ADAPTER	1		PT3/8-UNF9/16
2	RA302-9106	ELBOW	1		UNF 9/16
3	RA302-3103	ELBOW	1		PT3/8 - PT3/8
4	RA310-4103	COUPLING	2		PT3/8
5	RA306-3103	PLUG	3		UNF 9/16
6	RA300-1109	NIPPLE	1		PT3/8-UNF7/8
7	S8000101	O-RING	5		P10-1B

EOL

Fig.

11.620

AIR CONDITIONER LINE

D700

RJ124-0012

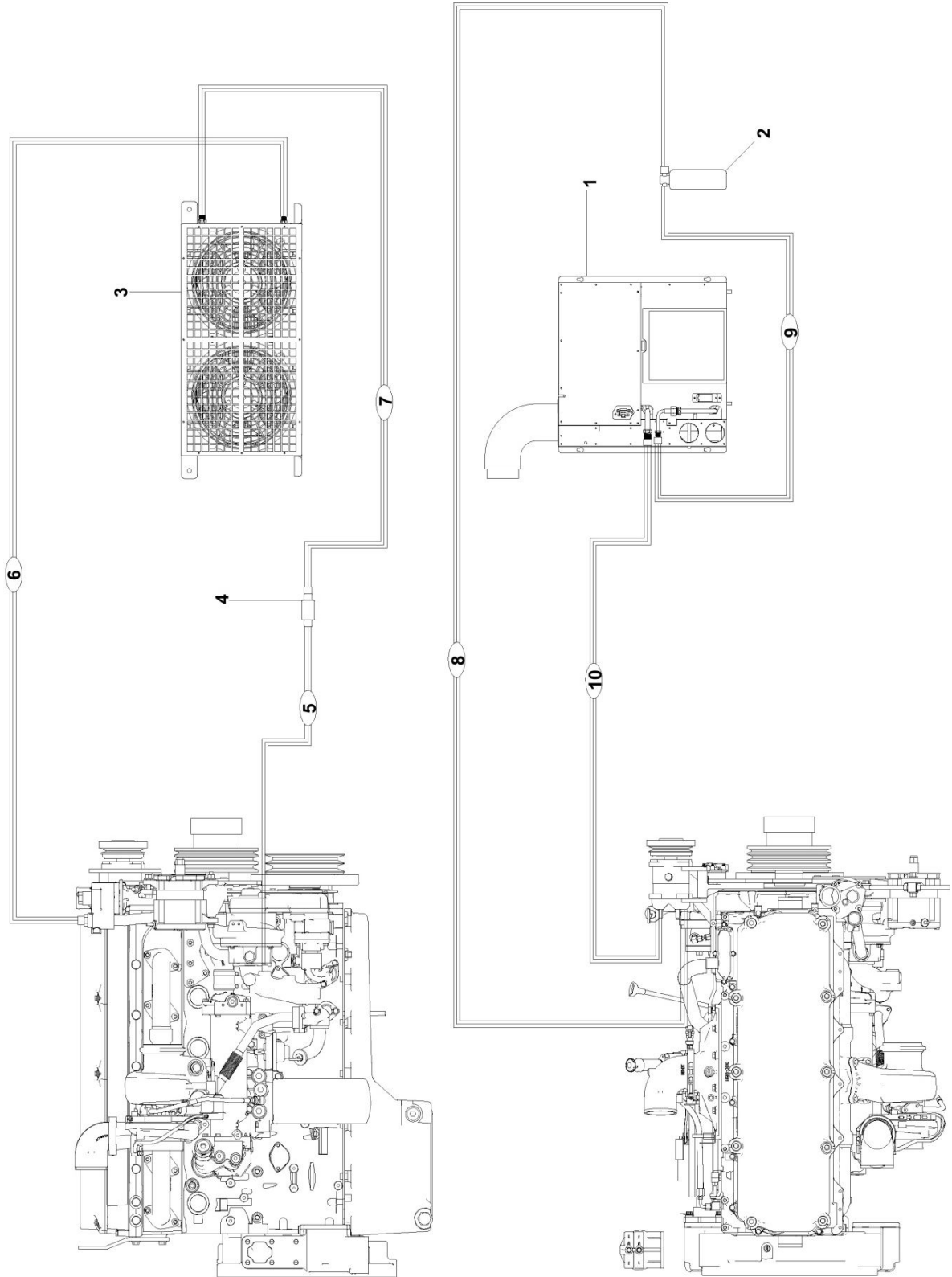


Fig. 11.620	AIR CONDITIONER LINE
D700	RJ124-0012

Item	Part Number	Part Name	Qty	See Fig.	Remarks
1	RB220-0009	AIR CONDITIONER ASSY	1	11.630	
2	D-29040005	RECEIVER DRIER ASSY	1		
3	RJ120-0002	CONDENSER	1		
4	RJ120-0003	SOLENOID VALVE	1		
5	RJ120-0004	HOSE	1		
6	RJ120-0005	HOSE	1		
7	RJ120-0006	HOSE	1		
8	RJ120-0007	HOSE	1		
9	RJ120-0008	HOSE	1		
10	RJ120-0009	HOSE	1		

EOL

Fig. 11.630	AIR CONDITIONER ASSY
D700	RB220-0009

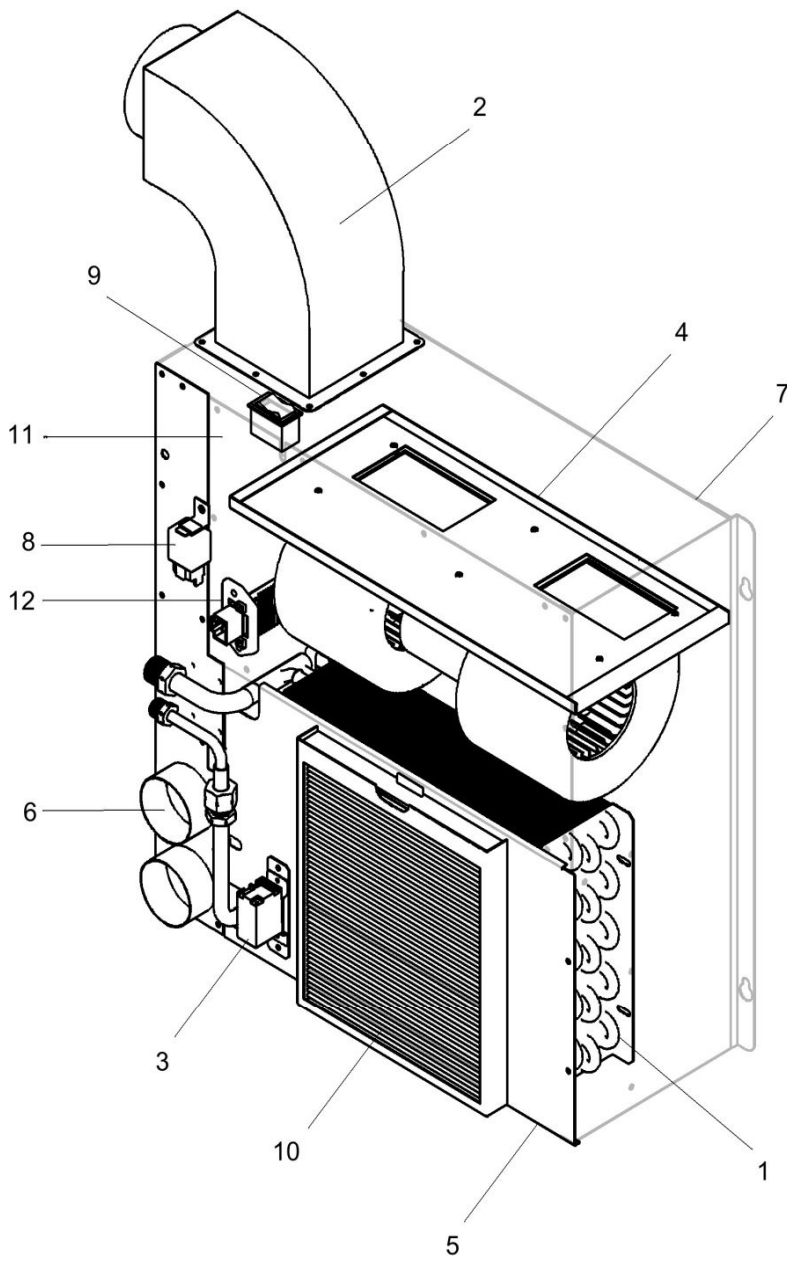


Fig.	11.630	AIR CONDITIONER ASSY
	D700	RB220-0009

Item	Part Number	Part Name	Qty	See Fig.	Remarks
1	RB220-0008	EVAPORATOR ASSY	1		
2	RB220-0007	DUCT	1		
3	RB422-0012	AIR CONDITIONER ASSY	1		
4	RB220-0002	BLOWER ASSY	1		
5	RB220-0004	FILTER CASE	1		
6	RB220-0005	COVER PLATE	1		
7	RB220-0003	CASE	1		
8	RB220-0010	THERMOSTAT	1		
9	RB220-0013	SWITCH	1		
10	RB220-0001	AIR FILTER	1		
11	RB220-0006	COVER PLATE	1		
12	RB220-0011	CONNECTOR	1		

EOL

Fig.

12.010

DECAL & PAINTING

D700

RJ125-0001 A

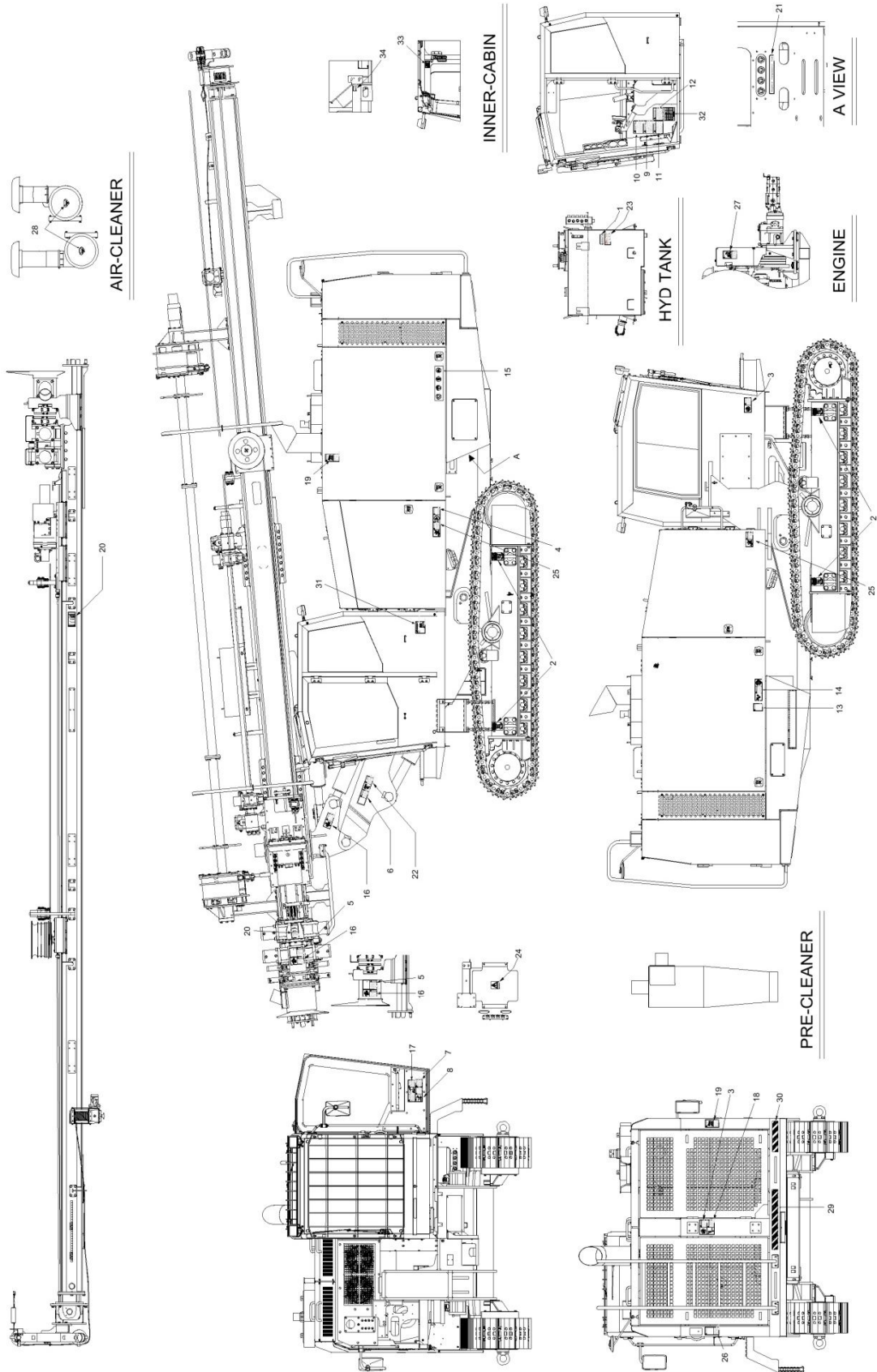


Fig.	12.010	DECAL & PAINTING
	D700	RJ125-0001 A

Item	Part Number	Part Name	Qty	See Fig.	Remarks
1	D-24031907	DECAL	1		
2	D-24031909 A	DECAL	4		
3	D-24031910	DECAL	2		
4	D-24031911	DECAL	1		
5	D-24031912	DECAL	2		
6	D-24031913	DECAL	3		
7	D-24031914	DECAL	1		
8	D-24031915	DECAL	1		
9	D-24031916	DECAL	1		
10	D-24031917	DECAL	1		
11	D-24031918	DECAL	1		
12	D-24031919	DECAL	1		
13	D-24031920	DECAL	1		
14	D-24031921	DECAL	1		
15	D-24031922	DECAL	1		
16	D-24031923	DECAL	4		
17	D-24031924	DECAL	1		
18	D-24031925	DECAL	1		
19	D-24031935	DECAL	2		
20	RJ125-0004	DECAL	3		
21	D-24031928	DECAL	1		
22	D-24031931	DECAL	2		
23	RJ125-0005	DECAL	1		
24	D-24031933	DECAL	1		
25	D-24031934	DECAL	2		
26	D-24031939	DECAL	1		
27	D-24031941	DECAL	1		
28	D-24031851	DECAL	2		
29	RJ125-0006	DECAL	1		
30	RJ125-0007	DECAL	1		
31	RJ125-0002	NAME PLATE	1		
32	RJ125-0003	LABEL	1		
33	D-24031943	DECAL	1		
34	RB525-0037	DECAL	1		
EOL					

Fig.

12.020

DECAL & PAINTING

D700

RJ125-0009 A

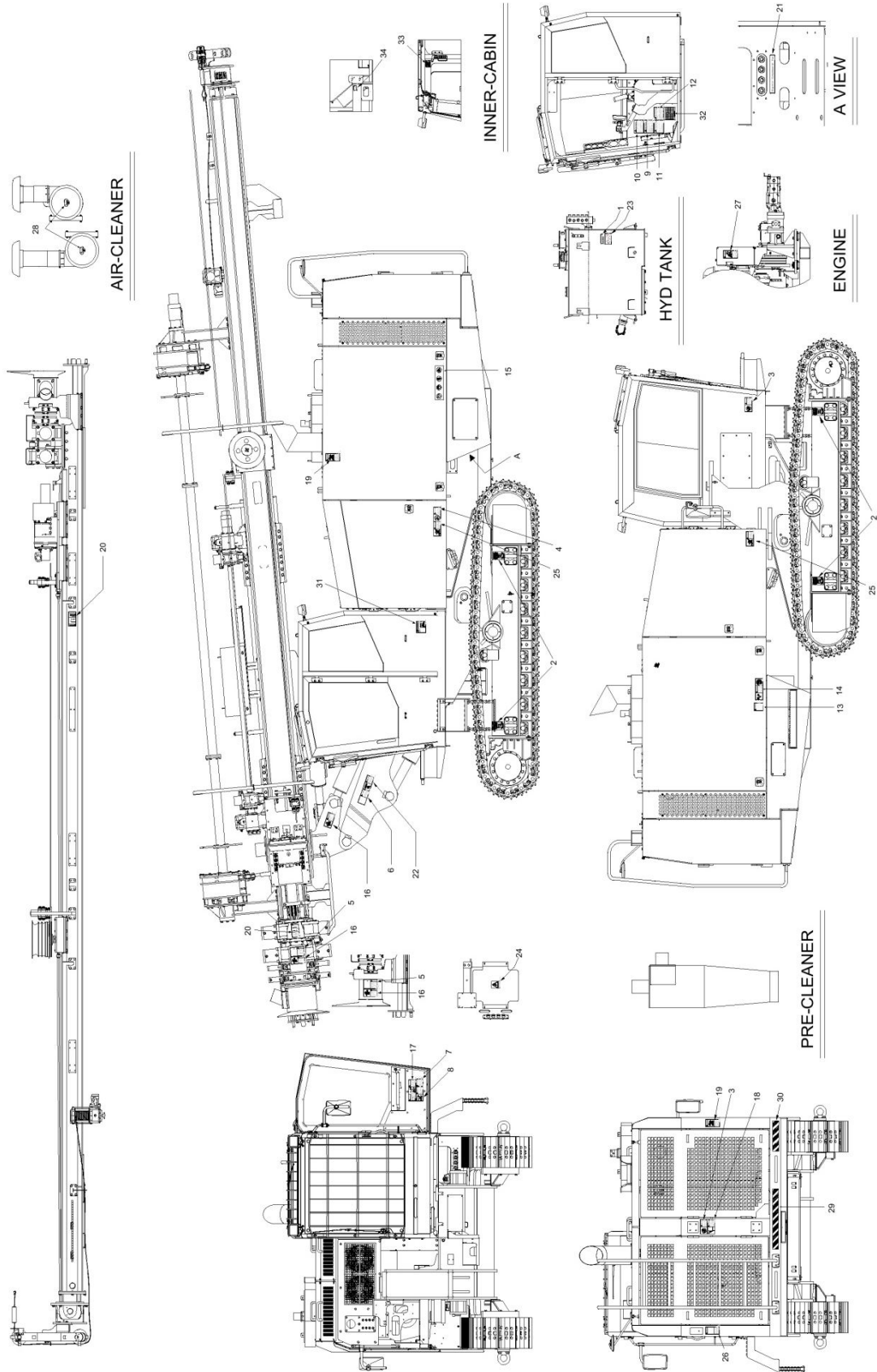


Fig. 12.020	DECAL & PAINTING
D700	RJ125-0009 A

Item	Part Number	Part Name	Qty	See Fig.	Remarks
1	D-24031907	DECAL	1		
2	D-24031909 A	DECAL	4		
3	RB325-0005	DECAL	2		
4	RB325-0016	DECAL	1		
5	RB325-0006	DECAL	2		
6	RB325-0017	DECAL	3		
7	RB325-0007	DECAL	1		
8	RB325-0018	DECAL	1		
9	RB325-0026	DECAL	1		
10	RB325-0008	DECAL	1		
11	RB325-0019	DECAL	1		
12	RB325-0009	DECAL	1		
13	D-24031920	DECAL	1		
14	RB325-0020	DECAL	1		
15	RB325-0010	DECAL	1		
16	RB325-0021	DECAL	4		
17	RB325-0011	DECAL	1		
18	RB325-0022	DECAL	1		
19	RB325-0025	DECAL	2		
20	RJ125-0008	DECAL	3		
21	D-24031928	DECAL	1		
22	RB325-0013	DECAL	2		
23	RJ125-0005	DECAL	1		
24	RB325-0024	DECAL	1		
25	RB325-0014	DECAL	2		
26	RB325-0015	DECAL	1		
27	RB325-0027	DECAL	1		
28	D-24031851	DECAL	2		
29	RJ125-0006	DECAL	1		
30	RJ125-0007	DECAL	1		
31	RJ125-0002	NAME PLATE	1		
32	RJ125-0003	LABEL	1		
33	D-24031943	DECAL	1		
34	RB525-0037	DECAL	1		

EOL

Blank page



Chapter 2. RSP List

D700

D700 – RECOMMENDED SPARE PARTS LIST

ROTARY HEAD

Item	Part Number	Part Name	Qty	See Fig.	Remarks
1	RJ901-0004	BEARING	2		
2	RJ901-0008	CLAMPING SLEEVE	1		
3	RJ901-0009	BEARING	1		
4	RJ901-0015	SHIM	1		
5	RJ901-0016	SHIM	1		
6	RJ901-0017	SHIM	2		
7	RJ901-0019	V-RING	1		
8	RJ901-0022	BEARING	2		
9	RJ901-0023	BEARING	2		
10	RJ901-0031	SPACER	1		
11	RJ901-0032	FILTER	1		
12	RJ901-0036	SPACER	2		
13	RA400-0225	ROTATION MOTOR SEAL SET	1		1SET
14	RA400-0224	ROTARY HEAD SEAL SET	1		1SET

MAST

Item	Part Number	Part Name	Qty	See Fig.	Remarks
1	RJ111-0177	HOOD COVER	1		
2	RJ111-0176	SKIRT	1		
3	RJ112-0025	LINER	4		
4	RJ112-0005	JAW	4		
5	RJ111-0021	SLIDE PAD	16		
6	RJ110-0021	SLIDE PAD	12		
7	RJ111-0086	SLIDE GUIDE	4		
8	RA211-5560D492	HYD HOSE	2		
9	RA211-5240D487	HYD HOSE	2		
10	RA211-5820D540	HYD HOSE	1		
11	RA290-5470D055	HYD HOSE	2		
12	RA290-5470D075	HYD HOSE	2		
13	RA290-5240D055	HYD HOSE	1		
14	RA290-5240D075	HYD HOSE	1		
15	RA211-5140D075	HYD HOSE	1		
16	RA211-5820D540	HYD HOSE	1		

E/G ACC'

Item	Part Number	Part Name	Qty	See Fig.	Remarks
1	RJ152-0004	CENTAFLEX COUPLING	1		1SET
2	RJ103-0019	FLEXIBLE COUPLING	1		1SET

D700 – RECOMMENDED SPARE PARTS LIST

ARC

Item	Part Number	Part Name	Qty	See Fig.	Remarks
1	RJ116-0149	HUB	4		3.5 INCH
	RJ116-0156	HUB	4		4 INCH
	RJ116-0012	HUB	4		4.5 INCH
2	RJ116-0166	COVER ASSY	2		3.5 INCH
	RJ116-0057	COVER ASSY	2		4 INCH
	RJ116-0178	COVER ASSY	2		4.5 INCH
3	RJ116-0151	INNER HOUSING	4		3.5 INCH
	RJ116-0157	INNER HOUSING	4		4 INCH
4	RJ116-0036	HANDLE	2		
5	RJ116-0175	PLATE	2		3.5~4 INCH

DUST COLLECTOR

Item	Part Number	Part Name	Qty	See Fig.	Remarks
1	RJ118-0046	IMPELLER	1		
2	D-38015600	SOLENOIDE VALVE	1		PULSE SOL
3	RJ118-0045	PULSE CONTROL VALVE	3		
4	RJ118-0044	DUMP	1		
5	RJ118-0043	RUBBER BELLOWS	1		

FILTER

Item	Part Number	Part Name	Qty	See Fig.	Remarks
1	RJ152-0008	OIL FILTER	1		ENGINE
2	RJ152-0010	FUEL FILTER	1		ENGINE
3	RJ152-0011	OUTTER FILTER	1		AIR CLEANER
4	RJ152-0012	INNER FILTER	1		AIR CLEANER
5	RJ152-0011	OUTTER FILTER	1		AIR CLEANER
6	RJ152-0012	INNER FILTER	1		AIR CLEANER
7	D-59050400	RETURN FILTER	2		HYD
8	RJ123-0110	COMP. OIL FILTER	2		
9	RJ152-0009	SEPERATER	1		ENGINE
10	D-59033500	FILTER ELEMENT	18		DUST

ELECTRIC

Item	Part Number	Part Name	Qty	See Fig.	Remarks
1	D-33044801	PRESSURE SENSOR	5		9.5bar
2	RJ154-0032	PRESSURE SENSOR	2		80mbar
3	D-25007226	PRESSURE SENSOR	1		0.7ba
4	RJ154-0044	PRESSURE SENSOR	2		20psi
5	RJ154-0025	PROXIMITY SENSOR	11		
6	RJ153-0020	SENSOR CABLE	11		
7	RJ154-0001	TEMPERATURE SENSOR	2		
8	RA000-0011	TEMPERATURE SENSOR	2		

D700– RECOMMENDED SPARE PARTS LIST

ELECTRIC

Item	Part Number	Part Name	Qty	See Fig.	Remarks
9	RJ154-0046	TEMPERATURE SENSOR	4		
10	RJ154-0002	PRESSURE SENSOR	2		250bar(4~20mA-DENFORSS)
11	RJ154-0045	PRESSURE SENSOR	2		160bar(4~20mA-KELLER)
12	RJ154-0003	PRESSURE SENSOR	1		40bar(4~20mA-DENFORSS)
13	RJ154-0021	PCB	1		ARC
14	RJ154-0023	PCB	1		ENGINE
15	RJ154-0022	PCB	1		COMPRESSOR
16	RJ154-0024	PCB	1		ANGEL

CYLINDER SEAL KIT

Item	Part Number	Part Name	Qty	See Fig.	Remarks
1	RJ101-0110	SEAL KIT	1		RJ101-0069 CYL
2	RJ102-0554	SEAL KIT	1		RJ102-0175 CYL
3	RJ106-0143	SEAL KIT	1		RJ106-0046 CYL
4	RJ106-0115	SEAL KIT	1		RJ106-0047 CYL
5	RJ106-0143	SEAL KIT	1		RJ106-0048 CYL
6	RJ110-0083	SEAL KIT	1		RJ110-0051 CYL
7	RJ111-0291	SEAL KIT	1		RJ111-0126 CYL
8	RJ111-0276	SEAL KIT	1		RJ111-0127 CYL
9	RJ112-0085	SEAL KIT	1		RJ112-0037 CYL
10	RJ112-0078	SEAL KIT	1		RJ112-0038 CYL
11	RJ112-0068	SEAL KIT	1		RJ112-0039 CYL
12	RJ114-0014	SEAL KIT	1		RJ114-0001 CYL
13	RJ116-0192	SEAL KIT	2		RJ116-0035/RJ116-0037

TUBE

Item	Part Number	Part Name	Qty	See Fig.	Remarks
1	RT901-0040	TUBE	15		3, (API 2 3/8)
2	RT901-0034	TUBE	15		3.5, (API 2 3/8)
3	RT901-0039	TUBE	15		4, (API 2 3/8)
4	TBA	TUBE	15		4, (API 2 7/8)
5	TBA	TUBE	15		4.5, (API 2 7/8)
6	RT901-0035	TUBE	15		4, (API 3 1/2)
7	RT901-0029	TUBE	15		4.5, (API 3 1/2)
8	RT901-0041	TUBE	15		5, (API 3 1/2)

FIXED SUB

Item	Part Number	Part Name	Qty	See Fig.	Remarks
1	RT901-0038	FIXED SUB	5		API 3 1/2 -API 2 3/8
2	TBA	FIXED SUB	5		API 3 1/2 -API 2 7/8
3	RT901-0031	FIXED SUB	5		API 3 1/2 -API 3 1/2

D700 – RECOMMENDED SPARE PARTS LIST

HAMMER

Item	Part Number	Part Name	Qty	See Fig.	Remarks
1	RT413-0001	SHANK	1		4IN, DHD340 FV
2	RT410-0038	SHANK	1		5IN, DHD350 FV-TYPE
	RT410-0283	SHANK	1		5IN, DHD350 FVL
3	RT410-0052	SHANK	1		6IN, DHD360 FV
	RT410-0273	SHANK	1		6IN, DHD 360 FV
4	RT410-0284	SHANK	1		6IN, SD 6 FV
5	RT410-0275	SHANK	1		5IN, QL50 FV
	RT410-0201	SHANK	1		5IN, QL50 FVL
6	RT410-0064	SHANK	1		6IN, QL 60 FVL
	RT410-0077	SHANK	1		6IN, QL 60 FV
	RT410-0274	SHANK	1		6IN, QL 60 FVL (Heavy Duty)
	RT410-0282	SHANK	1		6IN, QL 60 FV (Heavy Duty)
7	RT413-0017	SHANK	1		4IN, M40 FV
8	RT410-0207	SHANK	1		5IN, M50 FVL
9	RT410-0069	SHANK	1		6IN, M 60 FV
	RT410-0073	SHANK	1		6IN, MV 6 FV
10	RT410-0073	SHANK	1		6IN, MV 6 FV

D700– RECOMMENDED SPARE PARTS LIST

BIT

Item	Part Number	Part Name	Qty	IN	SHANK	CC NoXSize	BUTTON SHAPE	BIT TYPE
1	RT320-0072	BIT	5	4			SP	FF
	RT320-0073	BIT	5	4		3x12	SP	CC
	RT320-0177	BIT	5	4 1/8			BA	FF
	RT320-0074	BIT	5	4 1/8			SP	FF
	RT320-0007	BIT	5	4 1/2	DHD340	3x12	SP	CC
	RT320-0078	BIT	5	4 1/2		4x12	SP	CC
	RT320-0077	BIT	5	4 1/2			SP	FF
	RT320-0080	BIT	5	4 7/8			SP	FF
	RT320-0040	BIT	5	5		4X12	SP	CC
2	RT320-0081	BIT	5	5		4X14	SP	CC
	RT320-0004	BIT	5	5 1/4		4X14	SP	CC
	RT320-0005	BIT	5	5 1/2	DHD350	4X14	SP	CC
	RT320-0082	BIT	5	5 3/4			SP	FF
	RT320-0134	BIT	5	6		4x16	SP	CC
	RT320-0135	BIT	5	6 1/2		4x16	SP	CC
3	RT320-0026	BIT	5	6		4X16	SP	CC
	RT320-0018	BIT	5	6			SP	FF
	RT320-0089	BIT	5	6		4x16	SP	CC
	RT320-0147	BIT	5	6		4x16	SP	CC
	RT320-0158	BIT	5	6		4x16	SP	CC
	RT320-0019	BIT	5	6 1/8			SP	FF
	RT320-0036	BIT	5	6 1/2	DHD360	5X16	SP	CC
	RT320-0100	BIT	5	6 1/2		4x16	SP	CC
	RT320-0149	BIT	5	6 1/2		4x16	SP	CC
	RT320-0150	BIT	5	6 1/2			SP	FF
	RT320-0151	BIT	5	6 1/2			SP	FF
	RT320-0107	BIT	5	7		4X16	SP	CC
	RT320-0146	BIT	5	7		4X16	SP	CC
4	RT320-0095	BIT	5	6		4X16	SP	CC
	RT320-0020	BIT	5	6		-	SP	FF
	RT320-0021	BIT	5	6 1/8		-	SP	FF
	RT320-0173	BIT	5	6 1/8		-	SP	FF
	RT320-0103	BIT	5	6 1/2	SD6	4X16	SP	CC
	RT320-0160	BIT	5	6 1/2		-	SP	FF
	RT320-0104	BIT	5	6 1/2		4X16	SP	CC
TBA	BIT	5	7		4X16	SP	CC	
5	RT320-0156	BIT	5	5		4X14	SP	CC
	RT320-0031	BIT	5	5 1/2	QL50	-	SP	FF
	RT320-0191	BIT	5	5 3/4		4X14	BASP	CC
6	RT320-0039	BIT	5	6		4X16	SP	CC
	TBA	BIT	5	6 1/4	QL60	4X16	SP	CC
	TBA	BIT	5	6 1/2		4X16	SP	CC

D700 – RECOMMENDED SPARE PARTS LIST

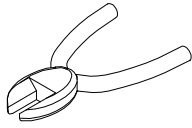
Item	Part Number	Part Name	Qty	IN	SHANK	CC NoXSize	BUTTON SHAPE	BIT TYPE
6	TBA	BIT	5	6		4X16	SP	CC
	RT320-0094	BIT	5	6			SP	CC
	RT320-0037	BIT	5	6 1/2		4x16	SP	CC
	RT320-0027	BIT	5	6 1/2		4x16	BA	CV
	RT320-0028	BIT	5	6 1/2		4x16	SP	CV
	RT320-0029	BIT	5	6 1/2			SP	CV
	RT320-0030	BIT	5	6 1/2	QL60	5X16	SP	CC
	RT320-0043	BIT	5	6 1/2		4x16	SP	CC
	RT320-0044	BIT	5	6 1/2		4x16	SP	FF
	RT320-0101	BIT	5	6 1/2			SP	CC
	RT320-0166	BIT	5	6 1/2			SP	CC
	TBA	BIT	5	6 3/4		4X16	SP	CC
	RT320-0102	BIT	5	7		4X16	SP	CC
7	RT320-0010	BIT	5	4		3x12	BA	CC
	RT320-0008	BIT	5	4 1/2		4x12	BA	CC
	RT320-0011	BIT	5	4 1/2		-	BA	FF
	RT320-0079	BIT	5	4 3/4	M40	-	BA	FF
	RT320-0033	BIT	5	4 3/4		4X12	BA	CC
	TBA	BIT	5	5		-	SP	CC
	RT320-0083	BIT	5	5		-	SP	FF
8	RT320-0014	BIT	5	6		4X16	SP	CC
	RT320-0013	BIT	5	6		-	SP	FF
	RT320-0046	BIT	5	6		5X18	SP	CC
	RT320-0047	BIT	5	6		-	SP	FF
	RT320-0085	BIT	5	6		-	SP	FF
	RT320-0086	BIT	5	6		-	SP	FF
	RT320-0087	BIT	5	6		4x18	SP	CC
	RT320-0088	BIT	5	6		4x16	SP	CC
	RT320-0006	BIT	5	6 1/8	M60	5X18	SP	CC
	RT320-0015	BIT	5	6 1/8		-	SP	FF
	RT320-0016	BIT	5	6 1/8		5X16	SP	CC
	RT320-0017	BIT	5	6 1/8		-	SP	FF
	RT320-0096	BIT	5	6 1/8		4x16	SP	CC
	RT320-0097	BIT	5	6 1/8		-	SP	FF
	RT320-0098	BIT	5	6 1/8		-	SP	FF
	RT320-0099	BIT	5	6 1/8		4x18	SP	CC
	9	RT320-0090	BIT	5	6		4x16	SP
RT320-0091		BIT	5	6		4x16	SP	CC
RT320-0092		BIT	5	6	MV 6	4x16	SP	CC
RT320-0157		BIT	5	6		4x16	SP	CC
RT320-0093		BIT	5	6 1/2		4x16	SP	CC

D700 – FREE OF CHARGE ACCESSORY

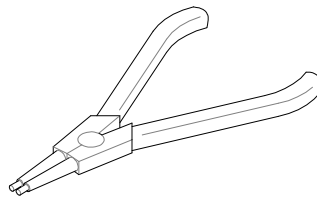
Item	Part Number	Part Name	Qty	See Fig.	Remarks
1	RJ152-0008	OIL FILTER	1		ENGINE
2	RJ152-0010	FUEL FILTER	1		ENGINE
3	RJ152-0011	OUTTER FILTER	1		AIR CLEANER
4	RJ152-0012	INNER FILTER	1		AIR CLEANER
5	RJ152-0011	OUTTER FILTER	1		AIR CLEANER
6	RJ152-0012	INNER FILTER	1		AIR CLEANER
7	D-59050400	RETURN FILTER	2		HYD
8	RJ123-0110	COMP. OIL FILTER	2		
9	RJ152-0009	ENGINE SEPERATER	1		
10	D-59033500	FILTER ELEMENT	18		DUST
11	RT901-0031	FIXED SUB	1		3.5 INCH
	RT901-0032	FIXED SUB	1		4 INCH
	RT901-0033	FIXED SUB	1		4.5 INCH
12	D-70001100	TOOL BOX	1		
13	D-87000400	작업복	2		
14	RA400-0226	PARTS BOOK	1		

D700 – FREE OF CHARGE ACCESSORY

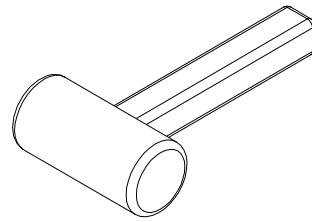
D700 - Maintenance Tool Kit



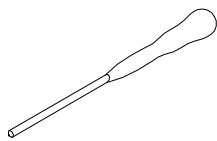
1



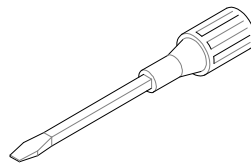
2



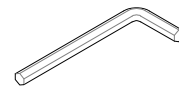
3



4



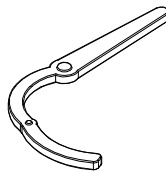
5,6



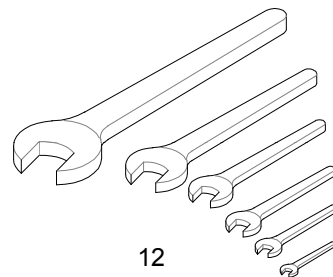
7,8,9



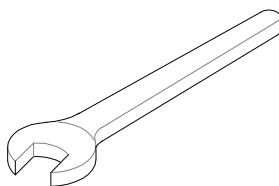
10



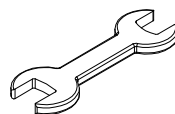
11



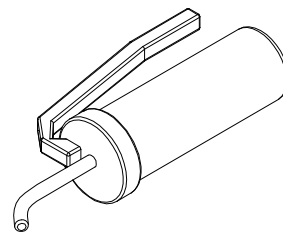
12



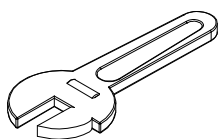
13,14,15,16,17,18



19



20



21



22

D700 – Maintenance Tool Kit

Standard Tool Kit

Item	Part Number	Part Name	Qty	See Fig.	Remarks
+	D-70001100	TOOL BOX ASSY			
1	D-70001101	DIAGONAL CUTTING PLIER	1		
2	D-70001102	LONG NOSE PLIER	1		
3	D-70001103	HAMMER	1		2.5 lb
4	D-70001104	MICRO SCREW DRIVER	1		
5	D-70001105	SCREW DRIVER(-)	1		6x100
6	D-70001106	SCREW DRIVER(+)	1		6x100
7	D-70001107	L-WRENCH	1		12mm
8	D-70001108	L-WRENCH	1		14mm
9	D-70001109	L-WRENCH	1		17mm
10	D-70001110	RING L-WRENCH	1		8PC mm
11	D-70001111	CIRCLE-WRENCH	1		550mm
12	D-70001112	COMBINATION WRENCH SET	1		14PC
13	D-70001113	SINGLE HEAD SPANNER	1		26mm
14	D-70001114	SINGLE HEAD SPANNER	1		36mm
15	D-70001115	SINGLE HEAD SPANNER	1		38mm
16	D-70001116	SINGLE HEAD SPANNER	1		41mm
17	D-70001117	SINGLE HEAD SPANNER	1		46mm
18	D-70001119	SINGLE HEAD SPANNER	1		55mm
19	D-70001120	DOUBLE ENDED SPANNER	1		7 & 8mm
20	D-70001121	GREASE GUN	1		450
21	D-70001122	MONKEY SPANNER	1		
22	RA450-0009	AIR HOSE	1		

Blank page



Chapter 3. Index

D700

Part Number	Fig.	Item	Part Number	Fig.	Item	Part Number	Fig.	Item
			D-18110165	06.030	48	D-24031925	12.010	18
D-17013200	08.020	4	D-18110170	05.060	2	D-24031928	12.010	21
D-17013210	08.080	1	D-18110170	06.030	49	D-24031928	12.020	21
D-17013211	08.080	2	D-18110171	05.060	4	D-24031931	12.010	22
D-17110600	06.010	2	D-18110171	06.030	50	D-24031933	12.010	24
D-17111400	06.010	5	D-18110172	05.060	5	D-24031934	12.010	25
D-17113600	06.010	6	D-18110172	06.030	51	D-24031935	12.010	19
D-18021500	04.020	14	D-18110188	06.030	54	D-24031939	12.010	26
D-18021500	04.030	14	D-18110400	06.040	1	D-24031941	12.010	27
D-18021600	04.020	12	D-18110425	05.060	3	D-24031943	12.010	33
D-18021600	04.030	12	D-18110425	06.030	73	D-24031943	12.020	33
D-18021700	04.020	13	D-18110426	06.010	7	D-25000300	06.010	3
D-18021700	04.030	13	D-18110426	06.030	74	D-25005801	06.020	1
D-18022000	04.010	4	D-18110427	06.030	75	D-25005802	06.020	2
D-18022100	03.010	16	D-18110428	06.030	76	D-25005803	06.020	3
D-18022100	04.010	5	D-18110429	06.030	77	D-25006803	09.020	4
D-18110102	06.030	2	D-18110431	06.040	2	D-26000002	08.040	11
D-18110103	06.030	4	D-18110432	06.040	3	D-26012900	05.010	35
D-18110104	06.030	5	D-18110434	06.040	15	D-26021300	08.080	3
D-18110105	06.030	6	D-18110435	06.040	5	D-26021303	08.080	4
D-18110110	06.030	10	D-18110436	06.040	19	D-29006008	06.010	4
D-18110111	06.030	11	D-18110439	06.040	8	D-29006142	06.010	24
D-18110112	06.030	12	D-18110440	06.040	9	D-29006143	06.010	23
D-18110113	06.030	13	D-18110442	06.040	11	D-29030300	05.010	21
D-18110114	06.030	14	D-18110443	06.040	12	D-29030301	05.010	37
D-18110115	06.030	15	D-18110444	06.040	13	D-29040005	11.620	2
D-18110116	06.030	16	D-18110445	06.040	14	D-37000001	05.010	40
D-18110117	06.030	17	D-18110460	06.030	78	D-37010200	06.030	20
D-18110119	06.030	18	D-18110470	06.030	80	D-55010200	11.020	9
D-18110120	06.030	19	D-18160001	06.010	34	D-55010300	11.020	7
D-18110120	06.070	9	D-18224400	11.280	7	D-55010300	11.060	13
D-18110126	06.030	21	D-24031851	12.010	28	D-55010300	11.220	13
D-18110129	06.030	23	D-24031851	12.020	28	D-55010300	11.260	9
D-18110130	06.030	24	D-24031907	12.010	1	D-55010300	11.380	3
D-18110133	06.030	25	D-24031907	12.020	1	D-55010300	11.560	5
D-18110134	06.030	26	D-24031909	12.010	2	D-55010400	11.030	15
D-18110135	06.030	27	D-24031909	12.020	2	D-55010400	11.060	11
D-18110136	06.030	28	D-24031910	12.010	3	D-55010400	11.160	4
D-18110137	06.030	29	D-24031911	12.010	4	D-55010400	11.170	2
D-18110138	06.030	30	D-24031912	12.010	5	D-55010400	11.180	12
D-18110145	06.030	33	D-24031913	12.010	6	D-55010400	11.220	12
D-18110146	06.030	34	D-24031914	12.010	7	D-55010500	11.030	16
D-18110147	06.030	35	D-24031915	12.010	8	D-55010500	11.060	12
D-18110148	06.030	36	D-24031916	12.010	9	D-55010600	11.260	10
D-18110149	06.030	37	D-24031917	12.010	10	D-55010700	11.020	8
D-18110150	06.030	38	D-24031918	12.010	11	D-55010700	11.030	17
D-18110151	06.030	39	D-24031919	12.010	12	D-55010800	11.220	14
D-18110152	06.030	40	D-24031920	12.010	13	D-57009903	11.350	1
D-18110152	06.040	10	D-24031920	12.020	13	D-57015900	11.220	16
D-18110154	06.030	42	D-24031921	12.010	14	D-57054800	11.070	15
D-18110157	06.030	45	D-24031922	12.010	15	D-58000801	11.300	1
D-18110163	06.030	46	D-24031923	12.010	16	D-58000801	11.330	1
D-18110164	06.030	47	D-24031924	12.010	17	D-58000801	11.390	1

Part Number	Fig.	Item	Part Number	Fig.	Item	Part Number	Fig.	Item
D-58010601	11.290	1	RA211-5140D280	11.400	18	RA245-5140D445	11.280	25
D-58020600	11.320	1	RA211-5140D300	11.400	20	RA245-5140D450	11.400	10
D-59001700	08.040	5	RA211-5140D300	11.570	5	RA245-5240D400	11.280	17
D-59001809	09.030	8	RA211-5140D400	11.570	10	RA245-5240D420	11.280	34
D-59001809	09.040	6	RA211-5140D470	11.280	20	RA245-5240D450	11.280	19
D-59021200	05.010	48	RA211-5140D620	11.400	39	RA245-5240D520	11.500	10
D-59050000	11.160	1	RA211-5140D630	11.280	23	RA245-5240D700	11.280	32
D-59050400	08.040	4	RA211-5140D700	11.570	7	RA245-5240D710	11.280	36
D-59050401	08.060	1	RA211-5220D550	11.250	6	RA245-5440D075	11.010	23
D-59050402	08.060	2	RA211-5240D340	11.500	9	RA245-5560D340	11.500	7
D-59050404	08.060	4	RA211-5240D487	11.500	18	RA245-5560D520	11.500	8
D-59050405	08.060	5	RA211-5240D510	11.570	9	RA245-5820D340	11.500	11
D-59050406	08.060	6	RA211-5240D520	11.190	11	RA245-5820D520	11.500	12
D-59050500	08.040	7	RA211-5330D100	11.570	8	RA246-5591D075	11.010	8
D-59050600	08.040	8	RA211-5330D275	11.090	7	RA290-5030D070	11.120	18
D-D1121055	01.040	2	RA211-5330D300	11.010	16	RA290-5030D090	11.120	17
NO-NUMBER	00.010	1	RA211-5330D355	11.090	12	RA290-5030D120	11.120	16
NO-NUMBER(10)	00.010	10	RA211-5331D095	11.090	5	RA290-5030D180	11.120	8
NO-NUMBER(11)	00.010	11	RA211-5340D460	11.190	10	RA290-5030D300	11.120	7
NO-NUMBER(12)	00.010	12	RA211-5340D470	11.190	13	RA290-5120D070	11.120	19
NO-NUMBER(13)	00.010	13	RA211-5360D220	11.250	4	RA290-5120D350	11.120	13
NO-NUMBER(2)	00.010	2	RA211-5360D230	11.250	5	RA290-5121D130	11.090	6
NO-NUMBER(3)	00.010	3	RA211-5360D250	11.280	30	RA290-5130D435	11.190	14
NO-NUMBER(4)	00.010	4	RA211-5360D260	11.010	14	RA290-5130D560	11.190	12
NO-NUMBER(5)	00.010	5	RA211-5360D260	11.280	31	RA290-5140D060	11.570	6
NO-NUMBER(6)	00.010	6	RA211-5360D530	11.500	22	RA290-5140D090	11.400	37
NO-NUMBER(7)	00.010	7	RA211-5360D610	11.500	5	RA290-5140D095	11.400	35
NO-NUMBER(8)	00.010	8	RA211-5360D620	11.500	6	RA290-5140D100	11.400	19
NO-NUMBER(9)	00.010	9	RA211-5420D310	11.010	24	RA290-5140D162	11.400	16
RA100-0023	08.070	6	RA211-5470D215	11.010	15	RA290-5140D220	11.400	24
RA211-5030D150	11.120	9	RA211-5560D215	11.010	17	RA290-5140D230	11.280	14
RA211-5030D335	11.120	14	RA211-5560D492	11.500	17	RA290-5140D230	11.400	14
RA211-5030D340	11.120	12	RA211-5560D500	11.190	19	RA290-5140D235	11.400	38
RA211-5030D410	11.120	11	RA211-5640D080	11.500	15	RA290-5140D300	11.400	34
RA211-5120D130	11.090	13	RA211-5640D300	11.500	20	RA290-5140D318	11.400	21
RA211-5120D180	11.120	10	RA211-5640D320	11.500	21	RA290-5140D355	11.400	27
RA211-5120D250	11.120	20	RA211-5640D400	11.500	16	RA290-5140D400	11.400	25
RA211-5120D270	11.090	9	RA211-5640D850	11.500	14	RA290-5140D405	11.400	29
RA211-5120D420	11.120	15	RA211-5640D870	11.500	13	RA290-5140D415	11.400	28
RA211-5130D090	11.010	21	RA211-5720D140	11.190	21	RA290-5140D440	11.280	21
RA211-5130D095	11.010	18	RA211-5720D350	11.190	17	RA290-5140D445	11.280	24
RA211-5130D290	11.010	13	RA211-5820D175	11.570	2	RA290-5140D455	11.400	11
RA211-5130D500	11.010	22	RA211-5820D430	11.570	3	RA290-5140D490	11.400	36
RA211-5140D070	11.280	26	RA211-5820D540	11.500	19	RA290-5140D950	11.280	29
RA211-5140D075	11.550	6	RA245-5140D100	11.280	28	RA290-5240D055	11.550	4
RA211-5140D080	11.400	31	RA245-5140D172	11.400	17	RA290-5240D075	11.550	5
RA211-5140D090	11.400	30	RA245-5140D230	11.280	15	RA290-5240D220	11.280	37
RA211-5140D100	11.010	12	RA245-5140D260	11.400	13	RA290-5240D400	11.280	16
RA211-5140D100	11.400	33	RA245-5140D265	11.400	12	RA290-5240D420	11.280	35
RA211-5140D105	11.400	15	RA245-5140D335	11.400	26	RA290-5240D450	11.280	18
RA211-5140D110	11.400	32	RA245-5140D415	11.400	22	RA290-5240D700	11.280	33
RA211-5140D205	11.280	27	RA245-5140D425	11.400	23	RA290-5310D300	11.250	7
RA211-5140D250	11.570	11	RA245-5140D440	11.280	22	RA290-5330D220	11.280	13

Part Number	Fig.	Item	Part Number	Fig.	Item	Part Number	Fig.	Item
RA290-5340D230	11.190	9	RA302-0108	11.370	7	RA305-7109	11.220	9
RA290-5340D250	11.190	22	RA302-0111	11.220	6	RA305-8105	11.110	5
RA290-5340D350	11.190	6	RA302-3103	11.610	3	RA305-8106	11.110	4
RA290-5340D355	11.190	7	RA302-9106	11.610	2	RA305-8108	11.080	10
RA290-5340D360	11.190	8	RA303-0101	11.150	3	RA305-8109	11.080	11
RA290-5360D160	11.280	12	RA303-0106	11.050	9	RA305-9101	11.180	9
RA290-5360D430	11.250	3	RA303-0106	11.060	7	RA305-9102	11.180	8
RA290-5470D055	11.550	2	RA303-0106	11.150	6	RA305-9102	11.440	4
RA290-5470D075	11.550	3	RA303-0106	11.350	2	RA305-9102	11.470	3
RA290-5470D110	11.090	14	RA303-0106	11.450	1	RA305-9102	11.510	5
RA290-5470D115	11.090	11	RA303-0106	11.460	2	RA305-9106	11.080	12
RA290-5470D220	11.090	10	RA303-0106	11.470	1	RA305-9106	11.510	4
RA290-5470D230	11.090	8	RA303-0106	11.490	1	RA305-9109	11.040	5
RA290-5470D300	11.570	4	RA303-0113	11.290	2	RA305-9109	11.200	2
RA290-5471D092	11.090	3	RA303-0119	11.040	4	RA305-9109	11.220	10
RA290-5471D095	11.090	4	RA303-0127	11.070	9	RA306-1102	11.440	3
RA290-5520D105	11.010	10	RA303-5105	11.360	1	RA306-3103	11.610	5
RA290-5520D110	11.010	20	RA305-7101	11.030	11	RA307-3104	11.030	8
RA290-5560D088	11.010	19	RA305-7101	11.050	10	RA307-3104	11.180	6
RA290-5560D130	11.010	9	RA305-7101	11.060	8	RA307-3104	11.580	2
RA290-5620D100	11.010	11	RA305-7101	11.130	5	RA307-3115	11.220	8
RA290-5720D170	11.190	23	RA305-7101	11.150	5	RA307-3116	11.260	4
RA290-5720D300	11.190	16	RA305-7102	11.020	12	RA307-3121	11.260	3
RA290-5720D310	11.190	15	RA305-7102	11.030	10	RA307-3126	11.070	8
RA290-5720D345	11.190	18	RA305-7102	11.050	11	RA307-5104	11.030	7
RA291-5780D170	11.190	20	RA305-7102	11.180	10	RA307-5104	11.060	4
RA291-5780D210	11.190	25	RA305-7102	11.310	2	RA307-5104	11.180	4
RA291-5780D950	11.190	24	RA305-7102	11.330	3	RA307-6101	11.130	3
RA299-0016	11.590	3	RA305-7102	11.340	4	RA307-6101	11.140	2
RA299-0017	11.590	4	RA305-7102	11.410	6	RA307-6102	11.030	6
RA299-0018	11.590	5	RA305-7102	11.420	2	RA307-6102	11.050	4
RA299-0019	11.590	6	RA305-7102	11.440	5	RA307-6102	11.060	5
RA299-0022	11.010	25	RA305-7102	11.460	3	RA307-6102	11.150	4
RA299-0023	11.010	26	RA305-7102	11.470	2	RA307-6102	11.160	2
RA299-0024	11.570	12	RA305-7102	11.480	2	RA307-6102	11.170	1
RA299-0025	11.570	13	RA305-7102	11.580	7	RA307-6102	11.180	5
RA300-1104	11.050	8	RA305-7104	11.380	2	RA307-6106	11.020	10
RA300-1104	11.260	7	RA305-7105	11.020	6	RA307-6106	11.030	5
RA300-1107	11.410	5	RA305-7105	11.050	12	RA307-6106	11.050	2
RA300-1108	11.220	17	RA305-7105	11.070	11	RA307-6106	11.060	6
RA300-1109	11.610	6	RA305-7105	11.220	7	RA307-6106	11.100	6
RA300-1110	11.220	4	RA305-7105	11.240	3	RA307-6106	11.110	3
RA300-1112	11.260	6	RA305-7105	11.410	7	RA307-6106	11.180	2
RA300-1114	11.030	2	RA305-7106	11.080	9	RA307-6106	11.310	1
RA300-1118	11.530	1	RA305-7106	11.510	6	RA307-6106	11.440	1
RA300-1123	11.070	13	RA305-7106	11.560	4	RA307-6106	11.460	1
RA300-4107	11.220	15	RA305-7107	11.030	9	RA307-6106	11.480	1
RA300-9106	11.600	1	RA305-7107	11.070	10	RA307-6106	11.580	1
RA300-9112	11.220	3	RA305-7107	11.540	4	RA307-6107	11.180	3
RA302-0104	11.220	5	RA305-7108	11.530	2	RA307-6107	11.300	2
RA302-0104	11.350	3	RA305-7108	11.540	5	RA307-6107	11.330	2
RA302-0104	11.560	3	RA305-7109	11.070	12	RA307-6107	11.340	3
RA302-0104	11.580	6	RA305-7109	11.200	1	RA307-6107	11.370	3

Part Number	Fig.	Item	Part Number	Fig.	Item	Part Number	Fig.	Item
RA307-6107	11.410	2	RA307-6127	11.070	6	RA400-0140	08.090	6
RA307-6107	11.420	1	RA307-6128	11.070	7	RA400-0164	08.090	4
RA307-6107	11.440	2	RA307-6128	11.220	2	RA400-0165	05.010	42
RA307-6107	11.510	1	RA307-6129	11.040	3	RA400-0175	05.010	38
RA307-6112	11.070	5	RA307-6129	11.080	8	RA400-0176	05.010	49
RA307-6112	11.080	4	RA307-6130	11.430	1	RA400-0191	09.020	48
RA307-6112	11.260	2	RA307-6131	11.520	6	RA400-0193	06.010	31
RA307-6112	11.320	2	RA307-6131	11.560	2	RA400-0194	06.010	32
RA307-6112	11.370	5	RA307-7104	11.350	5	RA400-0204	09.010	48
RA307-6112	11.390	2	RA310-1102	11.580	5	RA450-0001	06.010	16
RA307-6112	11.520	2	RA310-1104	11.220	11	RA450-0002	06.010	17
RA307-6113	11.380	1	RA310-1104	11.260	8	RA450-0004	06.010	19
RA307-6115	11.340	2	RA310-4102	11.180	13	RA450-0007	06.010	18
RA307-6115	11.370	2	RA310-4103	11.610	4	RB205-0099	06.010	14
RA307-6116	11.020	3	RA311-6109	11.080	6	RB205-0103	06.010	9
RA307-6116	11.050	6	RA311-8101	11.050	3	RB220-0001	11.630	10
RA307-6116	11.060	3	RA311-8101	11.220	1	RB220-0002	11.630	4
RA307-6116	11.070	4	RA311-8101	11.350	4	RB220-0003	11.630	7
RA307-6116	11.100	7	RA311-8102	11.370	6	RB220-0004	11.630	5
RA307-6116	11.110	2	RA311-8102	11.410	3	RB220-0005	11.630	6
RA307-6116	11.230	3	RA311-8104	11.030	13	RB220-0006	11.630	11
RA307-6116	11.240	2	RA312-1103	11.260	5	RB220-0007	11.630	2
RA307-6116	11.260	1	RA312-5101	11.130	4	RB220-0008	11.630	1
RA307-6116	11.270	2	RA312-5102	11.160	3	RB220-0009	11.620	1
RA307-6116	11.370	4	RA312-5102	11.180	11	RB220-0010	11.630	8
RA307-6116	11.410	4	RA312-5102	11.240	4	RB220-0011	11.630	12
RA307-6118	11.560	1	RA312-5102	11.580	9	RB220-0013	11.630	9
RA307-6119	11.030	3	RA312-5104	11.100	8	RB250-0086	03.030	14
RA307-6119	11.050	7	RA312-5104	11.580	8	RB250-0088	01.140	11
RA307-6119	11.060	2	RA312-5105	11.040	6	RB250-0088	01.170	11
RA307-6119	11.070	3	RA312-5108	11.070	14	RB250-0088	03.060	13
RA307-6119	11.080	5	RA312-5109	11.560	7	RB250-0088	03.070	12
RA307-6119	11.100	5	RA313-0102	11.030	12	RB250-0089	01.160	9
RA307-6119	11.110	1	RA313-0102	11.350	6	RB250-0090	04.040	13
RA307-6119	11.580	3	RA314-0102	11.030	14	RB250-0091	03.050	12
RA307-6120	11.080	3	RA314-0102	11.060	9	RB250-0092	03.020	13
RA307-6120	11.510	2	RA314-0102	11.180	7	RB250-0095	01.160	10
RA307-6123	11.020	4	RA321-8114	11.020	1	RB250-0095	01.180	12
RA307-6123	11.030	4	RA350-0043	11.130	2	RB250-0096	03.030	15
RA307-6123	11.040	1	RA350-0052	11.560	6	RB250-0097	04.040	14
RA307-6123	11.050	5	RA400-0016	09.010	7	RB250-0098	01.140	12
RA307-6123	11.070	1	RA400-0071	05.010	39	RB250-0098	01.170	12
RA307-6123	11.080	2	RA400-0097	02.030	40	RB250-0099	03.020	14
RA307-6123	11.230	2	RA400-0098	02.020	34	RB250-0102	03.050	13
RA307-6123	11.510	3	RA400-0106	06.010	10	RB250-0103	03.060	14
RA307-6123	11.520	1	RA400-0107	06.010	15	RB250-0103	03.070	13
RA307-6123	11.540	2	RA400-0117	08.100	2	RB250-0105	01.180	11
RA307-6124	11.070	2	RA400-0121	06.070	7	RB250-0107	01.160	7
RA307-6125	11.080	7	RA400-0123	09.010	47	RB250-0108	01.180	9
RA307-6125	11.540	3	RA400-0124	09.010	46	RB250-0109	03.050	10
RA307-6126	11.040	2	RA400-0132	08.090	3	RB250-0110	01.140	9
RA307-6126	11.080	1	RA400-0137	06.070	8	RB250-0110	01.170	9
RA307-6127	11.020	5	RA400-0139	08.090	5	RB250-0111	03.030	11

Part Number	Fig.	Item	Part Number	Fig.	Item	Part Number	Fig.	Item
RB250-0112	03.070	10	RJ101-0006	04.010	2	RJ102-0414	08.020	21
RB250-0113	03.020	11	RJ101-0007	04.030	1	RJ102-0419	08.020	20
RB250-0113	03.060	10	RJ101-0008	04.020	9	RJ102-0420	08.020	1
RB250-0114	04.040	9	RJ101-0008	04.030	9	RJ102-0421	08.020	27
RB250-0115	04.040	11	RJ101-0009	04.030	7	RJ102-0424	08.030	9
RB250-0117	01.180	13	RJ101-0056	04.020	3	RJ102-0427	08.030	12
RB250-0118	04.040	10	RJ101-0056	04.030	3	RJ102-0429	08.030	10
RB250-0119	03.030	12	RJ101-0057	04.020	4	RJ102-0431	08.030	13
RB250-0120	03.060	11	RJ101-0057	04.030	4	RJ102-0432	08.030	11
RB250-0121	01.180	7	RJ101-0058	04.020	2	RJ102-0433	08.030	3
RB250-0124	03.030	8	RJ101-0058	04.030	2	RJ102-0434	08.030	2
RB250-0124	03.060	7	RJ101-0059	04.020	5	RJ102-0435	08.030	1
RB250-0125	03.050	8	RJ101-0059	04.030	5	RJ102-0436	08.030	14
RB250-0126	03.070	7	RJ101-0061	04.020	8	RJ102-0437	08.030	7
RB250-0127	03.020	8	RJ101-0061	04.030	8	RJ102-0445	08.020	29
RB325-0005	12.020	3	RJ101-0062	04.020	11	RJ102-0446	08.100	1
RB325-0006	12.020	5	RJ101-0062	04.030	11	RJ102-0452	08.100	4
RB325-0007	12.020	7	RJ101-0063	04.020	25	RJ102-0456	08.100	3
RB325-0008	12.020	10	RJ101-0063	04.030	25	RJ102-0458	08.020	35
RB325-0009	12.020	12	RJ101-0064	04.010	6	RJ102-0466	08.020	36
RB325-0010	12.020	15	RJ101-0069	04.010	3	RJ102-0471	08.040	1
RB325-0011	12.020	17	RJ101-0070	04.040	1	RJ102-0485	08.040	17
RB325-0013	12.020	22	RJ101-0076	04.040	2	RJ102-0493	08.120	7
RB325-0014	12.020	25	RJ101-0106	04.040	5	RJ102-0498	08.040	18
RB325-0015	12.020	26	RJ101-0107	04.040	3	RJ102-0500	08.050	2
RB325-0016	12.020	4	RJ101-0109	04.040	4	RJ102-0501	08.050	1
RB325-0017	12.020	6	RJ102-0002	08.010	1	RJ102-0502	08.050	3
RB325-0018	12.020	8	RJ102-0003	08.010	2	RJ102-0503	08.040	19
RB325-0019	12.020	11	RJ102-0009	08.030	5	RJ102-0504	08.050	4
RB325-0020	12.020	14	RJ102-0012	08.030	6	RJ102-0527	08.020	37
RB325-0021	12.020	16	RJ102-0018	08.030	4	RJ102-0532	08.110	2
RB325-0022	12.020	18	RJ102-0119	08.020	2	RJ102-0533	08.110	1
RB325-0024	12.020	24	RJ102-0150	08.030	8	RJ102-0534	08.020	38
RB325-0025	12.020	19	RJ102-0156	08.020	8	RJ102-0535	08.120	1
RB325-0026	12.020	9	RJ102-0175	08.020	7	RJ102-0536	08.120	2
RB325-0027	12.020	27	RJ102-0206	08.040	3	RJ102-0537	08.120	3
RB422-0012	11.630	3	RJ102-0208	08.040	2	RJ102-0538	08.120	5
RB502-0069	08.020	31	RJ102-0220	08.110	4	RJ102-0539	08.120	4
RB502-0070	08.020	30	RJ102-0221	08.110	5	RJ102-0540	08.120	9
RB505-0018	06.070	2	RJ102-0227	08.110	3	RJ102-0541	08.120	6
RB522-0001	05.010	44	RJ102-0241	08.020	32	RJ103-0006	09.010	9
RB525-0037	12.010	34	RJ102-0256	08.090	1	RJ103-0010	09.010	8
RB525-0037	12.020	34	RJ102-0269	08.090	9	RJ103-0019	09.010	2
RB530-0014	02.020	20	RJ102-0285	08.020	28	RJ103-0029	09.010	3
RB550-0015	08.060	8	RJ102-0311	08.020	9	RJ103-0046	09.010	5
RB702-0321	08.040	13	RJ102-0313	08.090	2	RJ103-0048	09.010	17
RB703-0016	09.010	15	RJ102-0363	08.020	3	RJ103-0054	09.010	18
RB750-0001	08.040	6	RJ102-0404	08.020	26	RJ103-0055	09.010	20
RJ101-0002	04.010	1	RJ102-0407	08.020	25	RJ103-0056	09.010	33
RJ101-0003	04.020	1	RJ102-0408	08.020	10	RJ103-0057	09.010	21
RJ101-0004	04.020	10	RJ102-0409	08.020	24	RJ103-0058	09.010	32
RJ101-0004	04.030	10	RJ102-0410	08.020	23	RJ103-0061	09.010	14
RJ101-0005	04.020	7	RJ102-0413	08.020	22	RJ103-0064	09.010	31

Part Number	Fig.	Item	Part Number	Fig.	Item	Part Number	Fig.	Item
RJ103-0064	11.020	2	RJ104-0199	05.010	24	RJ105-0136	06.010	12
RJ103-0070	09.010	12	RJ104-0200	05.030	15	RJ105-0141	06.010	11
RJ103-0075	09.010	40	RJ104-0204	05.030	14	RJ105-0170	06.010	13
RJ103-0076	09.010	39	RJ104-0311	05.010	33	RJ105-0174	06.010	25
RJ103-0081	09.010	13	RJ104-0312	05.010	32	RJ105-0185	06.010	27
RJ103-0086	09.010	19	RJ104-0345	05.010	36	RJ105-0189	06.010	30
RJ103-0088	03.040	22	RJ104-0349	05.010	34	RJ105-0200	06.010	36
RJ103-0091	08.020	40	RJ104-0350	05.010	11	RJ105-0201	06.070	1
RJ103-0093	09.020	41	RJ104-0353	05.010	19	RJ105-0204	06.070	3
RJ103-0096	08.020	39	RJ104-0355	05.060	1	RJ105-0205	06.010	28
RJ103-0100	09.020	42	RJ104-0368	05.030	16	RJ105-0215	06.030	81
RJ104-0002	05.010	1	RJ104-0370	05.010	46	RJ105-0216	06.010	37
RJ104-0003	05.010	2	RJ104-0373	05.040	1	RJ105-0217	06.050	1
RJ104-0004	05.010	3	RJ104-0374	05.020	13	RJ105-0218	06.050	2
RJ104-0005	05.010	4	RJ104-0375	05.020	14	RJ105-0218	06.060	2
RJ104-0006	05.010	5	RJ104-0387	05.010	10	RJ105-0219	06.050	3
RJ104-0007	05.010	6	RJ104-0388	05.010	9	RJ105-0219	06.060	3
RJ104-0008	05.010	7	RJ104-0397	05.010	8	RJ105-0220	06.010	38
RJ104-0009	05.020	1	RJ104-0398	05.050	6	RJ105-0221	06.060	1
RJ104-0010	05.020	2	RJ104-0399	05.050	5	RJ106-0002	03.010	2
RJ104-0011	05.020	3	RJ104-0400	05.050	4	RJ106-0003	03.010	1
RJ104-0012	05.020	4	RJ104-0401	05.050	7	RJ106-0035	03.010	3
RJ104-0013	05.020	5	RJ104-0402	05.050	8	RJ106-0038	03.010	4
RJ104-0031	05.030	1	RJ104-0404	05.050	10	RJ106-0039	03.010	7
RJ104-0032	05.030	2	RJ104-0405	05.050	9	RJ106-0040	03.010	5
RJ104-0033	05.030	3	RJ104-0406	05.050	11	RJ106-0041	03.010	6
RJ104-0034	05.030	4	RJ104-0407	05.050	2	RJ106-0042	03.010	8
RJ104-0035	05.030	5	RJ104-0408	05.050	3	RJ106-0045	03.010	9
RJ104-0036	05.030	6	RJ104-0412	05.050	1	RJ106-0046	03.010	23
RJ104-0037	05.030	7	RJ104-0413	05.010	20	RJ106-0047	03.010	22
RJ104-0038	05.030	8	RJ104-0421	05.010	30	RJ106-0048	03.010	20
RJ104-0039	05.030	9	RJ104-0422	05.010	28	RJ106-0049	03.010	14
RJ104-0040	05.030	10	RJ104-0423	05.010	27	RJ106-0050	03.010	13
RJ104-0043	05.020	6	RJ104-0424	05.010	25	RJ106-0051	03.010	28
RJ104-0044	05.020	7	RJ104-0425	05.010	26	RJ106-0052	03.010	10
RJ104-0045	05.020	8	RJ104-0431	05.010	18	RJ106-0068	03.020	2
RJ104-0069	05.020	9	RJ104-0432	05.010	17	RJ106-0069	03.020	5
RJ104-0070	05.020	10	RJ104-0453	05.010	50	RJ106-0070	03.020	1
RJ104-0090	05.040	2	RJ105-0001	06.030	82	RJ106-0071	03.020	4
RJ104-0100	05.020	11	RJ105-0002	06.030	83	RJ106-0105	03.030	4
RJ104-0131	05.020	12	RJ105-0005	06.010	1	RJ106-0108	03.030	5
RJ104-0143	05.030	11	RJ105-0006	06.030	1	RJ106-0109	03.030	3
RJ104-0144	05.030	12	RJ105-0090	06.030	3	RJ106-0113	03.030	1
RJ104-0145	05.030	13	RJ105-0091	06.030	79	RJ106-0114	03.030	2
RJ104-0157	05.010	12	RJ105-0092	06.030	7	RJ106-0121	03.020	3
RJ104-0160	05.010	47	RJ105-0094	06.030	31	RJ106-0122	03.020	10
RJ104-0164	05.010	31	RJ105-0097	06.030	41	RJ106-0125	03.020	9
RJ104-0178	05.010	13	RJ105-0098	06.030	43	RJ106-0133	03.070	4
RJ104-0181	05.010	14	RJ105-0099	06.030	8	RJ106-0136	03.070	3
RJ104-0182	05.010	15	RJ105-0100	06.030	9	RJ106-0137	03.070	2
RJ104-0183	05.010	16	RJ105-0102	06.030	32	RJ106-0138	03.070	1
RJ104-0185	05.010	22	RJ105-0104	06.030	44	RJ106-0142	03.070	8
RJ104-0196	05.010	23	RJ105-0110	06.030	22	RJ110-0002	03.040	1

Part Number	Fig.	Item	Part Number	Fig.	Item	Part Number	Fig.	Item
RJ110-0019	03.040	9	RJ111-0082	01.010	30	RJ111-0278	01.080	3
RJ110-0034	03.040	10	RJ111-0082	01.100	6	RJ111-0280	01.080	2
RJ110-0036	03.040	12	RJ111-0084	01.020	3	RJ111-0281	01.080	1
RJ110-0037	03.040	3	RJ111-0086	01.020	2	RJ111-0286	01.010	26
RJ110-0038	03.010	27	RJ111-0090	01.090	2	RJ111-0310	01.010	27
RJ110-0038	03.040	7	RJ111-0090	01.100	2	RJ111-0320	01.010	32
RJ110-0039	03.040	2	RJ111-0091	01.030	8	RJ111-0324	01.010	33
RJ110-0043	03.010	11	RJ111-0094	01.190	12	RJ111-0334	01.010	37
RJ110-0044	03.040	5	RJ111-0095	01.220	3	RJ111-0340	01.010	38
RJ110-0045	03.040	13	RJ111-0097	01.220	1	RJ111-0341	01.010	39
RJ110-0051	03.010	29	RJ111-0098	01.190	11	RJ111-0342	01.030	7
RJ110-0052	03.010	26	RJ111-0099	01.210	1	RJ111-0347	01.010	12
RJ110-0056	03.040	15	RJ111-0100	01.190	1	RJ111-0354	01.010	44
RJ110-0075	03.060	4	RJ111-0102	01.190	2	RJ111-0355	01.030	32
RJ110-0078	03.060	3	RJ111-0108	01.190	4	RJ112-0001	01.010	3
RJ110-0081	03.060	1	RJ111-0113	01.010	5	RJ112-0002	01.120	1
RJ110-0082	03.060	2	RJ111-0115	01.010	4	RJ112-0003	01.120	2
RJ111-0002	01.010	1	RJ111-0119	01.070	6	RJ112-0004	01.120	4
RJ111-0007	01.090	1	RJ111-0126	01.030	6	RJ112-0004	01.190	5
RJ111-0009	01.090	3	RJ111-0127	03.040	14	RJ112-0005	01.120	6
RJ111-0009	01.100	3	RJ111-0131	01.040	4	RJ112-0005	01.130	3
RJ111-0010	01.030	10	RJ111-0134	01.010	8	RJ112-0007	01.120	3
RJ111-0010	01.090	4	RJ111-0140	01.010	6	RJ112-0019	01.150	1
RJ111-0010	01.100	4	RJ111-0157	01.190	14	RJ112-0019	01.200	1
RJ111-0010	01.110	1	RJ111-0170	01.030	21	RJ112-0024	01.150	2
RJ111-0014	01.100	1	RJ111-0171	01.030	22	RJ112-0024	01.200	2
RJ111-0016	01.030	5	RJ111-0172	01.090	6	RJ112-0025	01.150	4
RJ111-0020	01.040	6	RJ111-0173	01.090	7	RJ112-0025	01.200	4
RJ111-0020	01.070	4	RJ111-0176	01.190	17	RJ112-0030	01.130	5
RJ111-0021	01.050	2	RJ111-0177	01.190	18	RJ112-0033	01.120	10
RJ111-0021	01.060	2	RJ111-0179	01.010	16	RJ112-0036	01.120	11
RJ111-0021	01.210	2	RJ111-0181	01.010	17	RJ112-0037	01.120	7
RJ111-0021	01.220	2	RJ111-0185	01.010	18	RJ112-0037	01.130	1
RJ111-0023	01.060	1	RJ111-0192	01.230	2	RJ112-0038	01.120	12
RJ111-0024	01.030	2	RJ111-0210	01.230	4	RJ112-0039	01.150	3
RJ111-0027	01.050	3	RJ111-0211	01.230	1	RJ112-0039	01.200	3
RJ111-0027	01.060	3	RJ111-0216	01.230	3	RJ112-0040	01.130	6
RJ111-0027	01.210	3	RJ111-0221	01.230	5	RJ112-0043	01.120	23
RJ111-0028	01.050	1	RJ111-0228	01.010	7	RJ112-0044	01.120	24
RJ111-0030	01.040	5	RJ111-0245	01.010	15	RJ112-0045	01.120	25
RJ111-0030	01.070	3	RJ111-0246	01.110	4	RJ112-0053	01.120	5
RJ111-0031	01.070	1	RJ111-0250	01.110	6	RJ112-0053	01.130	2
RJ111-0046	01.030	1	RJ111-0252	01.110	5	RJ112-0063	01.160	2
RJ111-0048	01.040	1	RJ111-0257	01.030	19	RJ112-0064	01.160	4
RJ111-0049	01.040	3	RJ111-0258	01.030	11	RJ112-0066	01.160	1
RJ111-0053	01.020	1	RJ111-0259	01.030	4	RJ112-0067	01.160	3
RJ111-0054	01.040	7	RJ111-0260	01.040	20	RJ112-0072	01.180	4
RJ111-0055	01.040	8	RJ111-0264	01.190	3	RJ112-0075	01.180	1
RJ111-0056	01.040	9	RJ111-0271	03.050	1	RJ112-0076	01.180	2
RJ111-0066	01.090	5	RJ111-0272	03.050	2	RJ112-0077	01.180	3
RJ111-0066	01.100	5	RJ111-0273	03.050	4	RJ112-0079	01.140	1
RJ111-0070	01.030	9	RJ111-0274	03.050	5	RJ112-0079	01.170	1
RJ111-0071	01.030	3	RJ111-0275	03.050	3	RJ112-0080	01.140	2

Part Number	Fig.	Item	Part Number	Fig.	Item	Part Number	Fig.	Item
RJ112-0080	01.170	2	RJ116-0157	02.020	39	RJ121-0008	09.050	9
RJ112-0081	01.140	3	RJ116-0172	02.030	41	RJ121-0009	09.050	11
RJ112-0081	01.170	3	RJ116-0175	02.030	42	RJ121-0010	09.050	5
RJ112-0082	01.140	4	RJ116-0178	02.020	11	RJ121-0011	09.050	3
RJ112-0082	01.170	4	RJ116-0181	02.020	38	RJ121-0012	09.050	8
RJ112-0083	01.140	8	RJ116-0182	02.030	17	RJ121-0013	09.050	1
RJ112-0083	01.170	8	RJ116-0186	02.020	40	RJ121-0014	09.050	7
RJ112-0084	01.140	5	RJ116-0204	02.030	44	RJ121-0021	09.050	10
RJ112-0084	01.170	5	RJ116-0213	02.030	45	RJ121-0028	05.010	45
RJ114-0001	01.010	28	RJ117-0001	01.010	2	RJ121-0028	09.080	2
RJ116-0002	02.010	1	RJ117-0005	01.040	11	RJ121-0033	09.080	3
RJ116-0003	02.010	2	RJ117-0007	01.070	12	RJ121-0034	09.080	4
RJ116-0004	02.010	3	RJ117-0009	01.070	9	RJ121-0040	09.080	6
RJ116-0005	02.020	1	RJ117-0011	01.070	8	RJ121-0043	09.080	5
RJ116-0006	02.020	2	RJ117-0015	01.030	12	RJ121-0052	09.050	13
RJ116-0007	02.020	3	RJ117-0016	01.030	13	RJ121-0055	09.050	19
RJ116-0008	02.020	4	RJ117-0017	01.030	14	RJ121-0056	09.050	16
RJ116-0009	02.020	5	RJ117-0018	01.030	15	RJ121-0058	09.050	17
RJ116-0010	02.020	6	RJ117-0019	01.040	10	RJ121-0062	09.050	30
RJ116-0011	02.020	7	RJ118-0020	07.010	1	RJ121-0065	09.010	6
RJ116-0012	02.020	8	RJ118-0021	07.010	2	RJ121-0069	09.050	14
RJ116-0013	02.020	9	RJ118-0022	07.010	3	RJ122-0001	09.020	1
RJ116-0014	02.020	10	RJ118-0023	07.010	4	RJ122-0002	09.020	2
RJ116-0015	02.020	17	RJ118-0024	07.010	5	RJ122-0004	09.020	15
RJ116-0016	02.020	18	RJ118-0025	01.010	31	RJ122-0007	09.020	16
RJ116-0017	02.020	19	RJ118-0026	07.020	1	RJ122-0008	09.020	17
RJ116-0018	02.030	5	RJ118-0032	07.020	2	RJ122-0009	09.020	30
RJ116-0019	02.030	1	RJ118-0035	07.020	3	RJ122-0010	09.020	5
RJ116-0020	02.030	2	RJ119-0022	08.070	3	RJ122-0011	09.020	6
RJ116-0021	02.030	3	RJ119-0039	08.070	1	RJ122-0012	09.020	29
RJ116-0023	02.030	14	RJ119-0053	08.070	7	RJ122-0014	09.020	7
RJ116-0025	02.030	4	RJ119-0054	08.070	5	RJ122-0015	09.020	3
RJ116-0026	02.030	13	RJ119-0055	08.070	8	RJ122-0018	09.020	10
RJ116-0027	02.030	8	RJ119-0056	08.070	9	RJ122-0019	09.020	8
RJ116-0028	02.030	9	RJ119-0057	08.070	2	RJ122-0020	09.020	12
RJ116-0029	02.030	10	RJ119-0058	08.070	4	RJ122-0021	09.020	11
RJ116-0030	02.030	11	RJ119-0065	08.070	10	RJ122-0022	09.020	13
RJ116-0032	02.030	23	RJ120-0002	05.010	43	RJ122-0026	09.020	14
RJ116-0034	02.030	7	RJ120-0002	11.620	3	RJ122-0031	09.020	21
RJ116-0035	02.030	21	RJ120-0003	11.620	4	RJ122-0032	09.020	22
RJ116-0036	02.030	6	RJ120-0004	11.620	5	RJ122-0033	09.020	23
RJ116-0037	02.030	22	RJ120-0005	11.620	6	RJ122-0035	09.020	31
RJ116-0038	02.030	24	RJ120-0006	11.620	7	RJ122-0037	09.050	4
RJ116-0039	02.030	15	RJ120-0007	11.620	8	RJ122-0038	09.030	2
RJ116-0042	02.030	18	RJ120-0008	11.620	9	RJ122-0038	09.040	2
RJ116-0052	02.030	12	RJ120-0009	11.620	10	RJ122-0039	09.030	1
RJ116-0053	02.030	19	RJ121-0001	09.070	1	RJ122-0039	09.040	1
RJ116-0054	02.020	33	RJ121-0002	09.060	1	RJ122-0041	09.030	6
RJ116-0055	02.020	13	RJ121-0003	09.080	1	RJ122-0042	09.050	20
RJ116-0058	02.020	14	RJ121-0004	09.060	2	RJ122-0043	09.050	18
RJ116-0059	02.020	15	RJ121-0004	09.070	2	RJ122-0047	09.020	18
RJ116-0129	02.040	1	RJ121-0005	09.050	2	RJ122-0052	09.020	38
RJ116-0131	02.040	2	RJ121-0007	09.050	6	RJ122-0057	09.020	9

Part Number	Fig.	Item	Part Number	Fig.	Item	Part Number	Fig.	Item
RJ122-0059	09.020	24	RJ124-0023	11.120	3	RJ150-0004	09.010	10
RJ122-0062	09.020	44	RJ124-0024	11.120	5	RJ150-0005	09.010	11
RJ122-0063	09.020	45	RJ124-0025	11.120	2	RJ150-0006	11.230	1
RJ122-0064	09.020	46	RJ124-0026	11.120	1	RJ150-0007	11.060	1
RJ122-0065	09.020	47	RJ124-0027	11.190	4	RJ150-0008	11.030	1
RJ122-0077	09.040	8	RJ124-0028	11.190	5	RJ150-0009	11.370	1
RJ123-0003	09.010	4	RJ124-0029	11.190	2	RJ150-0010	04.020	6
RJ123-0008	09.020	40	RJ124-0030	11.190	1	RJ150-0010	04.030	6
RJ123-0013	01.070	2	RJ124-0031	11.190	3	RJ150-0010	11.100	1
RJ123-0014	01.070	5	RJ124-0032	11.250	1	RJ150-0011	11.410	1
RJ123-0072	10.010	1	RJ124-0033	11.250	2	RJ150-0012	11.240	1
RJ123-0073	10.010	2	RJ124-0034	11.280	1	RJ150-0013	11.270	1
RJ123-0074	10.010	3	RJ124-0035	11.280	2	RJ150-0014	11.150	1
RJ123-0075	10.010	4	RJ124-0036	11.280	3	RJ150-0015	11.180	1
RJ123-0076	10.010	5	RJ124-0037	11.280	5	RJ150-0016	11.130	1
RJ123-0077	10.010	6	RJ124-0038	11.280	6	RJ150-0021	11.140	1
RJ123-0078	10.010	7	RJ124-0039	11.280	9	RJ150-0022	11.050	1
RJ123-0079	10.010	8	RJ124-0040	11.280	10	RJ150-0023	11.540	1
RJ123-0080	10.010	9	RJ124-0041	11.280	11	RJ150-0049	11.340	1
RJ123-0081	10.010	10	RJ124-0042	11.400	2	RJ151-0027	11.610	1
RJ123-0082	10.010	11	RJ124-0043	11.400	8	RJ151-0028	11.580	4
RJ123-0083	10.010	12	RJ124-0044	11.400	3	RJ152-0001	09.010	1
RJ123-0084	10.010	13	RJ124-0045	11.400	9	RJ152-0004	09.010	16
RJ123-0085	10.010	14	RJ124-0046	11.400	6	RQ103-0236	05.010	41
RJ123-0086	10.010	15	RJ124-0047	11.400	4	RQ127-0044	08.020	11
RJ123-0087	10.010	16	RJ124-0048	11.400	5	RX000-0723	06.050	4
RJ123-0088	10.010	17	RJ124-0049	11.400	1	RX000-0723	06.060	4
RJ123-0089	10.010	18	RJ124-0051	11.500	1	S0103133	01.030	26
RJ123-0090	10.010	19	RJ124-0052	11.500	2	S0104623	06.030	59
RJ123-0091	10.010	20	RJ124-0053	11.500	3	S0104623	06.040	16
RJ123-0092	10.010	21	RJ124-0054	11.500	4	S0104633	05.010	53
RJ123-0093	10.010	22	RJ124-0055	11.590	2	S0104653	08.090	8
RJ123-0094	10.010	23	RJ124-0056	11.590	1	S0104823	06.030	55
RJ123-0095	10.010	24	RJ124-0057	11.550	1	S0105553	11.350	8
RJ123-0096	10.010	25	RJ124-0062	11.010	4	S0108360	01.010	43
RJ123-0097	10.010	26	RJ124-0063	11.570	1	S0108463	01.010	25
RJ123-0098	10.010	27	RJ124-0064	11.280	8	S0108643	05.010	54
RJ123-0099	10.010	28	RJ124-0065	11.280	4	S0108643	05.050	12
RJ123-0100	10.010	29	RJ124-0066	11.400	7	S0108861	01.230	7
RJ123-0101	10.010	30	RJ125-0002	12.010	31	S0108861	09.020	27
RJ123-0102	10.010	31	RJ125-0002	12.020	31	S0108861	09.080	13
RJ123-0103	10.010	32	RJ125-0003	12.010	32	S0108863	06.030	60
RJ123-0104	10.010	33	RJ125-0003	12.020	32	S0108863	08.040	16
RJ124-0013	11.010	1	RJ125-0004	12.010	20	S0109063	05.010	56
RJ124-0014	11.010	5	RJ125-0005	12.010	23	S0109063	05.030	17
RJ124-0015	11.010	3	RJ125-0005	12.020	23	S0109063	09.030	5
RJ124-0016	11.120	6	RJ125-0006	12.010	29	S0109063	09.040	7
RJ124-0017	11.010	2	RJ125-0006	12.020	29	S0109263	08.020	13
RJ124-0018	11.010	6	RJ125-0007	12.010	30	S0109263	08.070	12
RJ124-0019	11.010	7	RJ125-0007	12.020	30	S0109363	01.040	15
RJ124-0020	11.090	2	RJ125-0008	12.020	20	S0109563	05.030	18
RJ124-0021	11.090	1	RJ150-0001	02.030	20	S0109563	09.080	12
RJ124-0022	11.120	4	RJ150-0002	02.020	21	S0111663	05.010	57

Part Number	Fig.	Item	Part Number	Fig.	Item	Part Number	Fig.	Item
S0111663	08.070	16	S0118366	03.040	17	S0169861	09.020	36
S0111861	01.030	24	S0118663	01.010	19	S0170063	02.030	31
S0111861	05.010	58	S0118866	02.010	5	S2204863	01.050	5
S0111861	05.050	13	S0121061	01.020	4	S2204863	01.060	5
S0111861	06.010	22	S0121261	01.010	14	S2204863	01.210	5
S0111863	01.010	21	S0121363	04.020	17	S2204863	01.220	5
S0111863	02.020	35	S0121363	04.030	17	S2208376	01.010	41
S0111863	05.060	7	S0121463	01.010	36	S2209263	08.090	10
S0111863	06.030	57	S0121463	04.020	20	S2209463	01.130	11
S0111863	08.040	23	S0121463	04.030	20	S2209961	09.030	4
S0112001	09.020	32	S0121463	09.010	51	S2209961	09.040	3
S0112063	01.120	27	S0121466	01.010	13	S2212063	09.010	41
S0112063	03.010	18	S0121466	01.070	16	S2212363	01.150	8
S0112063	05.020	15	S0121466	03.040	21	S2212363	01.200	8
S0112063	06.030	58	S0121563	04.020	16	S2212363	05.010	59
S0112063	06.070	4	S0121563	04.030	16	S2212563	04.010	8
S0112063	08.020	34	S0121563	09.010	25	S2212663	02.030	25
S0112063	08.040	10	S0121566	01.020	6	S2213163	11.300	4
S0112063	09.010	36	S0121566	01.030	29	S2213163	11.330	5
S0112263	06.070	5	S0121566	01.190	6	S2213163	11.390	4
S0112263	09.010	27	S0121763	01.190	7	S2213163	11.540	7
S0112263	09.020	50	S0121763	09.010	50	S2213263	11.290	4
S0112353	11.050	17	S0121863	01.190	13	S2213263	11.320	4
S0112463	05.030	19	S0121863	09.010	38	S2215463	01.150	6
S0112563	09.010	37	S0122063	09.010	49	S2215463	01.200	6
S0113063	05.060	6	S0122263	03.040	11	S2215476	08.040	22
S0113063	06.030	52	S0122463	01.030	31	S2215661	01.120	17
S0113151	09.050	23	S0122663	01.150	11	S2215661	01.130	9
S0114663	03.040	19	S0122663	01.200	11	S2216461	01.120	18
S0115061	01.030	16	S0122663	09.010	45	S2216461	01.130	10
S0115061	01.090	9	S0123363	01.010	45	S2218361	02.030	28
S0115061	01.100	7	S0123363	01.040	19	S2218661	01.120	19
S0115061	01.110	2	S0123363	01.070	13	S2222676	01.070	7
S0115061	03.010	17	S0127461	02.020	28	S2228463	01.120	16
S0115061	03.040	16	S0127663	02.030	30	S2228463	01.130	8
S0115061	04.010	7	S0128271	02.030	43	S2308990	05.010	55
S0115063	02.030	26	S0133663	04.020	21	S2321663	03.040	20
S0115063	04.020	15	S0133663	04.030	21	S2327866	03.010	24
S0115063	04.030	15	S0160463	02.020	23	S3093600	05.010	52
S0115063	08.040	12	S0160763	02.020	24	S3140033	01.010	23
S0115063	09.050	21	S0160863	02.020	25	S345081A	08.070	14
S0115263	01.120	22	S0160963	02.020	26	S345085A	06.030	62
S0115263	02.040	4	S0160963	02.030	27	S345087A	06.030	65
S0115263	09.010	44	S0161163	02.020	36	S345260A	06.030	61
S0115266	01.010	10	S0162563	02.020	27	S3452826	08.070	13
S0115266	01.190	15	S0162861	02.030	29	S3452828	05.010	51
S0115266	01.230	9	S0165061	09.020	34	S3522503	01.140	7
S0115363	05.010	60	S0165663	04.020	18	S3522503	01.160	5
S0115463	05.010	61	S0165663	04.030	18	S3522503	01.170	7
S0115961	01.010	34	S0166460	01.070	10	S3522503	01.180	5
S0116063	09.010	23	S0166663	09.010	29	S3522503	03.020	6
S0118363	01.120	14	S0166961	01.040	16	S3522503	03.050	6
S0118366	01.190	9	S0168363	06.020	5	S3523408	03.030	6

Part Number	Fig.	Item	Part Number	Fig.	Item	Part Number	Fig.	Item
S3523408	03.060	5	S5100502	01.010	42	S5231003	11.290	5
S3523408	03.070	5	S5100502	09.030	7	S5231003	11.300	5
S3523408	04.040	6	S5100502	09.040	4	S5231003	11.320	5
S4010743	02.020	22	S5100503	09.080	9	S5231003	11.330	6
S4012531	09.030	3	S5100513	06.030	70	S5231003	11.390	5
S4012531	09.040	5	S5100603	01.150	7	S5231003	11.540	8
S4012533	05.010	62	S5100603	01.200	7	S5231005	04.010	9
S4012543	09.080	7	S5100603	09.010	34	S5231201	01.010	9
S4012603	09.020	51	S5100611	09.080	11	S5231201	01.030	17
S4012633	05.010	64	S5100613	05.010	70	S5231201	01.090	10
S4012633	09.050	25	S5100701	01.150	5	S5231201	01.100	9
S4012633	09.080	10	S5100701	01.200	5	S5231201	01.110	3
S4012641	09.020	25	S5100803	01.120	20	S5231201	01.190	16
S4012643	05.010	63	S5101003	06.020	4	S5231201	03.010	21
S4012643	06.030	56	S5101101	01.120	15	S5231201	03.040	8
S4012643	06.040	6	S5101101	01.130	7	S5231203	01.120	21
S4012643	06.070	10	S5101112	03.010	25	S5231203	01.230	6
S4012741	09.020	26	S5102313	06.030	66	S5231203	02.020	29
S4012743	05.010	65	S5102703	09.010	43	S5231203	02.030	34
S4012903	01.040	18	S5110303	01.050	4	S5231203	02.040	3
S4012903	01.070	14	S5110303	01.060	4	S5231203	05.010	69
S4012903	09.050	22	S5110303	01.210	4	S5231203	09.010	22
S4012933	04.020	19	S5110303	01.220	4	S5231205	04.020	23
S4012933	04.030	19	S5110903	01.150	9	S5231205	04.030	23
S4012943	01.150	10	S5110903	01.200	9	S5231401	01.010	20
S4012943	01.200	10	S5230801	01.010	40	S5231401	02.010	6
S4013043	06.020	6	S5230801	08.070	11	S5231401	03.040	18
S4013133	02.030	32	S5230803	01.010	24	S5231402	01.190	10
S4013341	01.030	23	S5230803	05.010	67	S5231403	02.030	35
S4016543	08.120	8	S5230803	05.030	20	S5231405	01.120	13
S4400533	06.030	63	S5230803	05.050	14	S5231600	01.030	30
S4400633	05.060	9	S5230803	08.040	15	S5231600	01.070	15
S4400633	06.030	53	S5230803	09.020	43	S5231601	01.010	11
S5000313	05.010	66	S5230806	01.230	8	S5231601	01.020	5
S5000590	09.020	28	S5231001	01.010	22	S5231601	01.030	20
S5010313	06.030	67	S5231001	08.070	15	S5231601	01.040	17
S5010313	06.040	17	S5231001	09.020	33	S5231601	01.070	11
S5010313	08.090	7	S5231001	09.050	24	S5231601	01.190	8
S5010501	09.080	8	S5231003	01.120	26	S5231601	03.040	6
S5010513	06.030	64	S5231003	02.020	37	S5231601	09.010	30
S5010513	08.020	12	S5231003	02.030	33	S5231602	03.040	4
S5010603	09.010	35	S5231003	03.010	19	S5231603	01.010	35
S5010613	05.060	8	S5231003	05.010	68	S5231603	09.010	28
S5010613	06.030	69	S5231003	05.020	16	S5231603	09.020	35
S5010613	06.040	7	S5231003	05.030	21	S5231605	04.020	24
S5010613	06.070	11	S5231003	05.050	15	S5231605	04.030	24
S5010703	09.010	42	S5231003	06.010	21	S5231605	09.010	24
S5020203	01.030	27	S5231003	06.070	6	S5232003	02.020	30
S5020203	06.030	71	S5231003	08.020	33	S5232003	02.030	36
S5100213	01.030	28	S5231003	08.040	9	S5232006	09.020	37
S5100313	06.030	68	S5231003	09.010	26	S5232405	04.020	22
S5100313	06.040	18	S5231003	09.020	49	S5232405	04.030	22
S5100313	11.350	9	S5231003	11.050	18	S5300073	01.040	12

Part Number	Fig.	Item	Part Number	Fig.	Item	Part Number	Fig.	Item
S5735781	01.010	29	S8000111	11.580	10	S8010251	01.180	10
S5735781	01.100	10	S8000141	11.020	11	S8010401	01.160	11
S5770081	06.030	72	S8000141	11.070	20	S8010451	03.050	11
S5770201	01.030	25	S8000141	11.080	13	S8010550	08.040	20
S6282309	01.160	6	S8000141	11.180	14	S8010551	01.180	14
S6283214	03.030	10	S8000141	11.300	3	S8010601	01.180	16
S6283312	04.040	8	S8000141	11.320	3	S8010601	03.030	13
S6283412	03.050	9	S8000141	11.330	4	S8010650	08.040	14
S6283814	03.060	9	S8000141	11.340	5	S8010651	04.040	12
S6283814	03.070	9	S8000141	11.370	9	S8010751	03.060	12
S6501200	01.140	6	S8000141	11.390	3	S8010751	08.040	21
S6501200	01.170	6	S8000141	11.410	8	S8010801	01.140	10
S6510500	01.180	8	S8000141	11.420	3	S8010801	01.170	10
S6511100	03.030	9	S8000141	11.440	7	S8010901	03.070	11
S6511100	03.060	8	S8000141	11.510	7	S8011001	03.020	12
S6710040	01.040	13	S8000141	11.520	3	S8011051	03.050	14
S6710040	08.020	14	S8000181	11.050	14	S8011101	03.050	16
S6710042	01.030	18	S8000181	11.070	19	S8011201	01.140	13
S6710042	01.090	8	S8000181	11.100	3	S8011201	01.170	13
S6710042	01.100	8	S8000181	11.110	7	S8011251	03.030	16
S6710042	01.180	6	S8000181	11.230	5	S8011301	03.030	18
S6710042	03.010	12	S8000181	11.240	5	S8011401	04.040	15
S6710042	03.020	7	S8000181	11.270	3	S8011451	03.070	14
S6710042	03.030	7	S8000181	11.290	3	S8011451	04.040	17
S6710042	03.050	7	S8000181	11.360	2	S8011501	03.020	15
S6710042	03.060	6	S8000181	11.370	8	S8011501	03.060	15
S6710042	03.070	6	S8000181	11.410	9	S8030100	01.040	14
S6710042	04.040	7	S8000181	11.430	2	S8100400	01.160	12
S6710043	02.020	31	S8000181	11.580	13	S8100550	01.180	15
S6710043	02.030	39	S8000221	01.160	8	S8101050	03.050	15
S6710155	04.020	26	S8000241	11.040	7	S8101200	01.140	14
S6710155	04.030	26	S8000241	11.050	15	S8101200	01.170	14
S8000091	11.130	6	S8000241	11.070	18	S8101250	03.030	17
S8000091	11.140	3	S8000241	11.080	14	S8101400	04.040	16
S8000101	08.060	7	S8000241	11.100	4	S8101450	03.070	15
S8000101	11.150	2	S8000241	11.110	6	S8101500	03.020	16
S8000101	11.600	2	S8000241	11.580	11	S8101500	03.060	16
S8000101	11.610	7	S8000291	11.040	8	S8450023	06.010	33
S8000111	11.050	13	S8000291	11.050	16	S8450053	06.010	20
S8000111	11.060	10	S8000291	11.070	16	S8450066	09.020	20
S8000111	11.100	2	S8000291	11.080	15	S8450105	06.010	35
S8000111	11.110	8	S8000291	11.230	4	S8450105	09.020	19
S8000111	11.150	7	S8000291	11.510	8	S8450127	09.050	27
S8000111	11.180	15	S8000291	11.520	4	S8450140	09.050	28
S8000111	11.240	6	S8000291	11.540	6	S8450178	09.050	29
S8000111	11.310	3	S8000381	11.040	9	S8450191	09.050	26
S8000111	11.350	7	S8000381	11.070	17	S8460090	08.050	5
S8000111	11.440	6	S8000381	11.080	16			
S8000111	11.450	2	S8000441	11.070	21			
S8000111	11.460	4	S8000441	11.580	12			
S8000111	11.470	4	S8000551	11.040	10			
S8000111	11.480	3	S8000551	11.080	17			
S8000111	11.490	2	S8000601	11.520	5			



Sales Office

Room #1203, Woolim Lion's Valley II, 680, Gasan-dong, Geumcheon-gu, Seoul, Korea 153-803

Factory & Head Office

332-3, Janggwan-ri, Jincheon-eub, Jincheon-gun, Chungcheongbuk-do, Korea 365-802

